

Important Notice

If you have not updated your Redbox module with the EHH-2 software, the unit will not function properly. Visit www.redboxsoundshop.com to download the files from the support page.

Assembling the EHH-2

1. Remove the No-Spin Adaptor and the felt washer from the Hi-Hat Clutch. Using the felt washer will hinder performance. Turn the two Upper Lock Nuts counter-clockwise and have them moved to the upper position of the Hi-Hat Clutch (Fig.1).

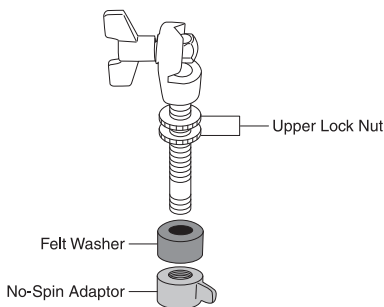


Fig. 1

2. Turn the Top Hi-Hat Cymbal Pad upside down and place the No-Spin Adaptor with the prong set inside the receiver as shown (Fig.2). Make sure that the No-Spin Adaptor is facing the right direction (Fig.3). The Hi-Hat Clutch cannot be attached if it is facing the wrong way.

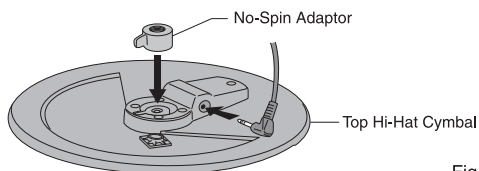


Fig. 2

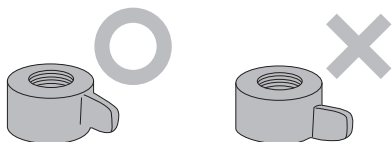


Fig. 3

3. Hold the Top Hi-Hat Cymbal Pad with one hand with your finger keeping the No-Spin Adaptor in place, and with the other hand screw the Hi-Hat Clutch into the No-Spin Adaptor (Fig.4). Make sure that the Hi-Hat Clutch is fully tightened until it stops.

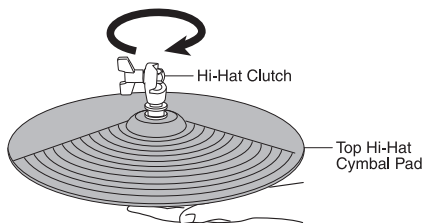


Fig. 4

4. Turn both Upper Lock Nuts clockwise and tighten them securely against the Top Hi-Hat Cymbal Pad (Fig.5). Make sure that both Upper Lock Nuts are tight.

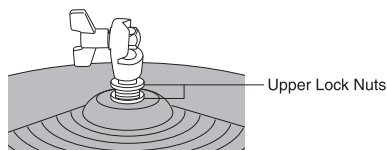


Fig. 5

5. If your Hi-Hat Stand has a tilting function on the Hi-Hat Cup, make sure that they are set flat and remove the Felt from the Hi-Hat Cup. Place the FSR Sensor onto the Hi-Hat Cup as shown (Fig.6). Plug in the Cable for the Hi-Hat Controller from the module into the Jack.

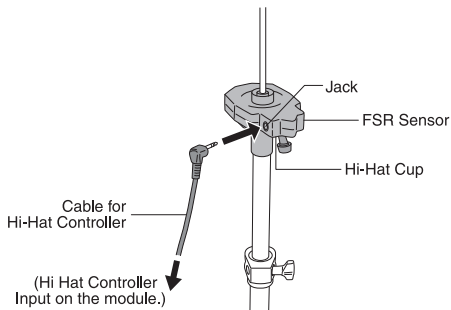


Fig. 6

- Place the Bottom Hi-Hat Cymbal Pad onto the FSR Sensor as shown. Make sure that the Cable on the Bottom Hi-Hat Cymbal Pad is coming through the hole, and plug that Cable into the Mini-Jack of the FSR Sensor (Fig.7-A, 7-B)

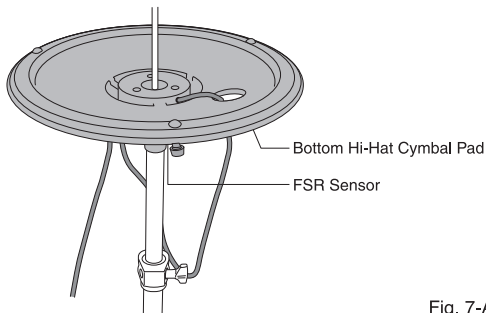


Fig. 7-A

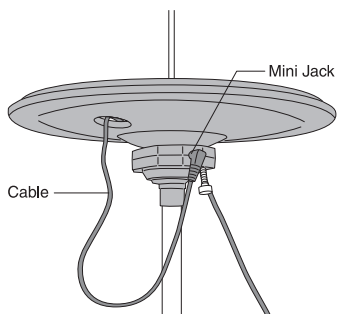


Fig. 7-B

- Place the Spring on the Bottom Hi-Hat Cymbal Pad as shown with the plastic part facing upwards (Fig.8).

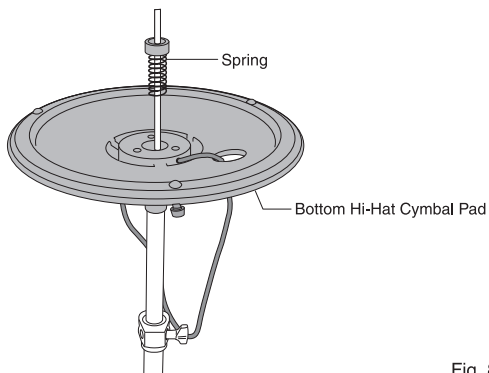


Fig. 8

- Pass the Cable for the Hi-Hat from the module through the Hole in the Bottom Hi-Hat Cymbal Pad and plug it into the Jack on the backside of the Top Hi-Hat Cymbal Pad (Fig.9).

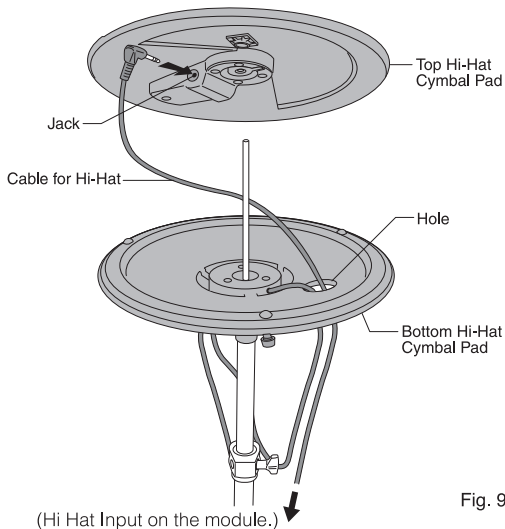


Fig. 9

- Tie up the cables to the Hi-Hat Stand as shown using the Velcro Strap to keep them out of your way while performing (Fig.10).

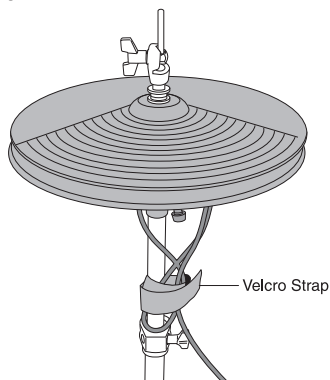


Fig. 10

CAUTION

- Play **ONLY** on the Rubber Surface of the Top Hi-Hat Pad. Playing on other area would cause damage to the product.

Pearl[®]

<http://www.pearldrum.com>

Products and specifications are subject to change without notice.

-1406-