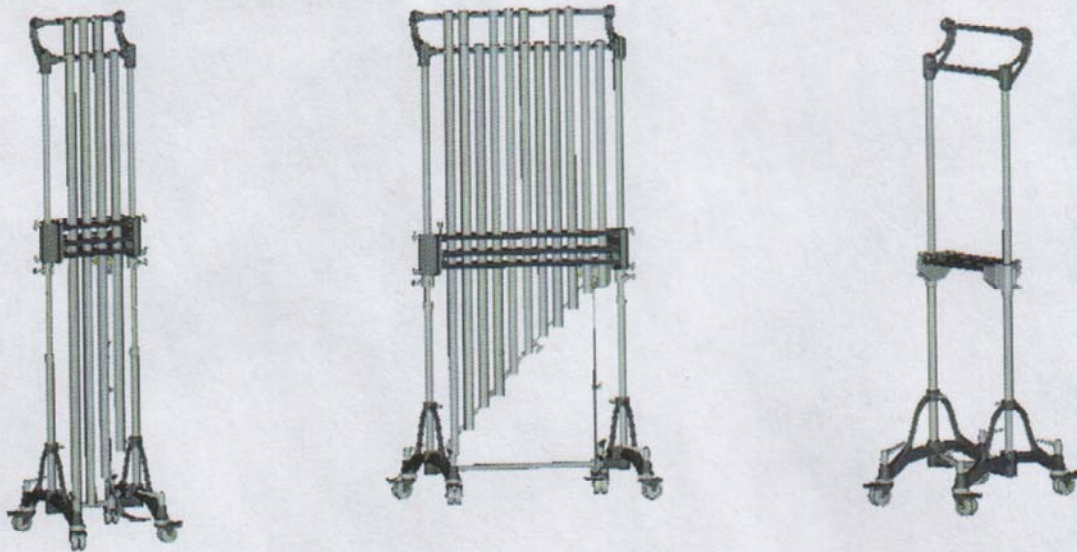


ADAMS[®]

adams musical instruments



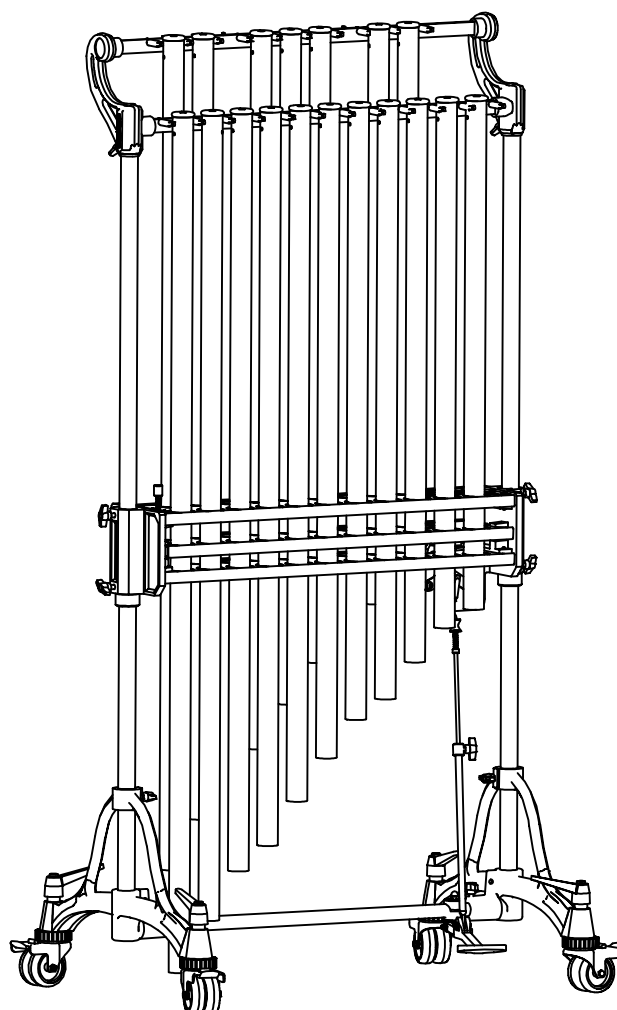
Replacement Parts Catalog

- Chimes -

Pearl

september 2004

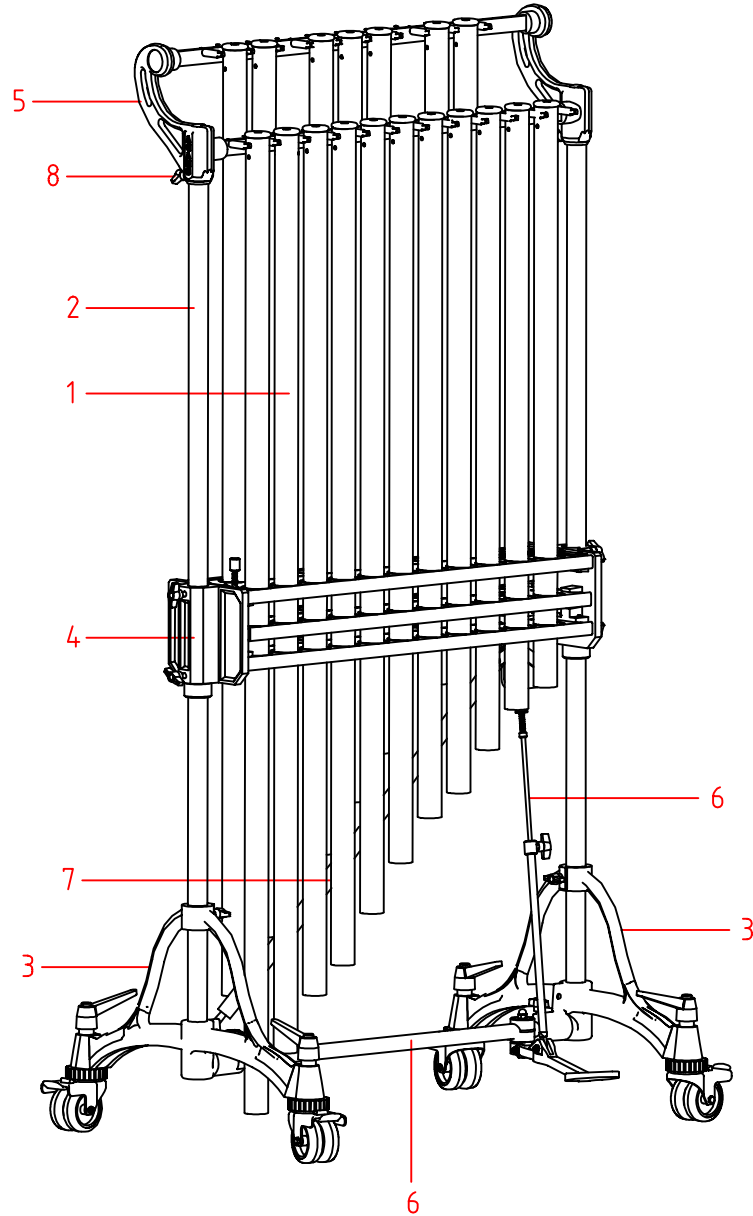
Chimes



Cat#	Description	More information
BK2001	Standard chimes 1.5 octave	Page 2
BK3003	Symphonic chimes 1.5 octave	Page 3
BK5000	Philharmonic chimes 0.5 octave	Page 4
BK5003	Philharmonic chimes 1.5 octave	Page 5
BKF05	Rack for 7 chimes, without damping mechanism	Page 6

Standard chimes 1.5 octave

Cat# BK2001 Description Standard chimes 1.5 octave

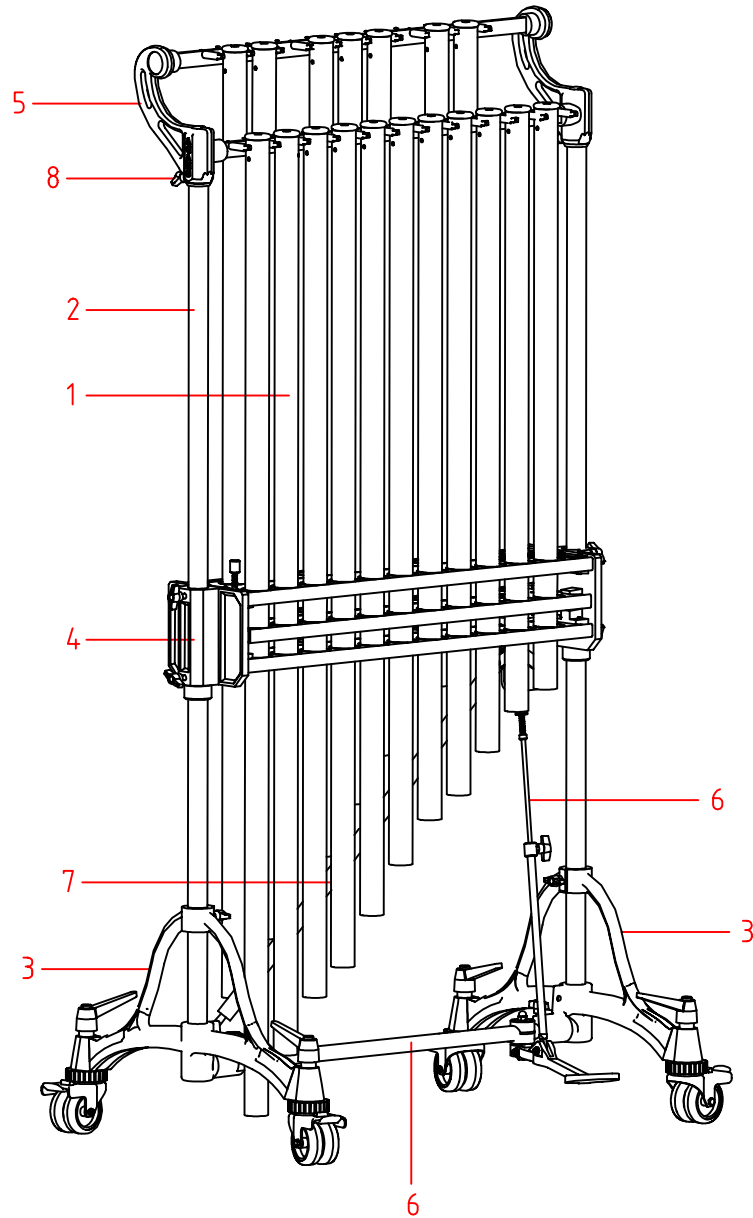


Pos#	Cat#	Description	More information
1	BK2001SET	Set of chimes for tubular bells for BK2001 (18 pcs)	page 7
2	225	Set of side tubes for BK2001 (2 pcs)	page 9
3	200	Frame foot for chimes, assembled (2 pcs)	page 10
4	201	Damping mechanism BK2001, assembled	page 11
5	PCA10	Head complete for BK2001	
6	PCA14	Pedal assembly for BK2001	page 13
7	PCA20	Shore assembled for chimes	page 15
8	PB509	Wing screw plastic (wingwith 40 mm) m8x20	

Symphonic chimes 1.5 octave

Cat#
BK3003

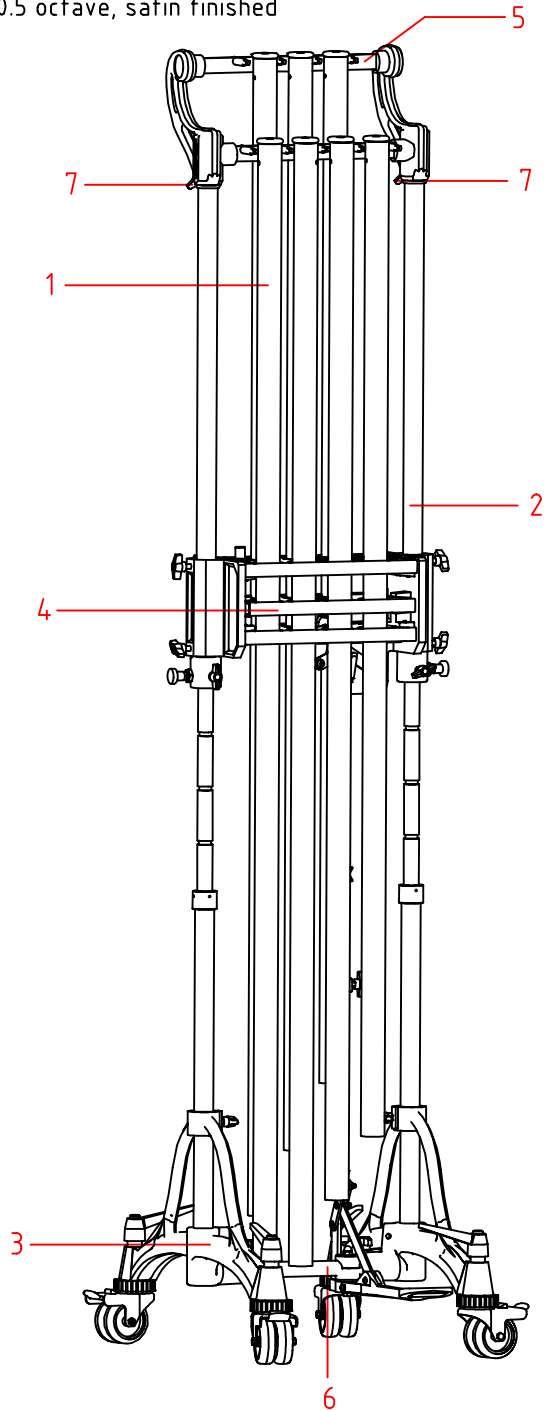
Description
Symphonic chimes 1.5 octave



Pos#	Cat#	Description	More information
1	BK3003SET	Set of chimes for tubular bells for BK3003 (18 pcs)	page 7
2	227	Set of side tubes for BK3003 (2 pcs)	page 9
3	200	Frame foot for chimes, assembled (2 pcs)	page 10
4	202	Damping mechanism BK3003/BK5003, assembled	page 11
5	PCA13	Head complete for BK3003/BK5003	
6	PCA16	Pedal assembly for BK3003	page 13
7	PCA20	Shore assembled for chimes	page 15
8	PB509	Wing screw plastic (wingwith 40 mm) m8x20	

Philharmonic chimes 0.5 octave

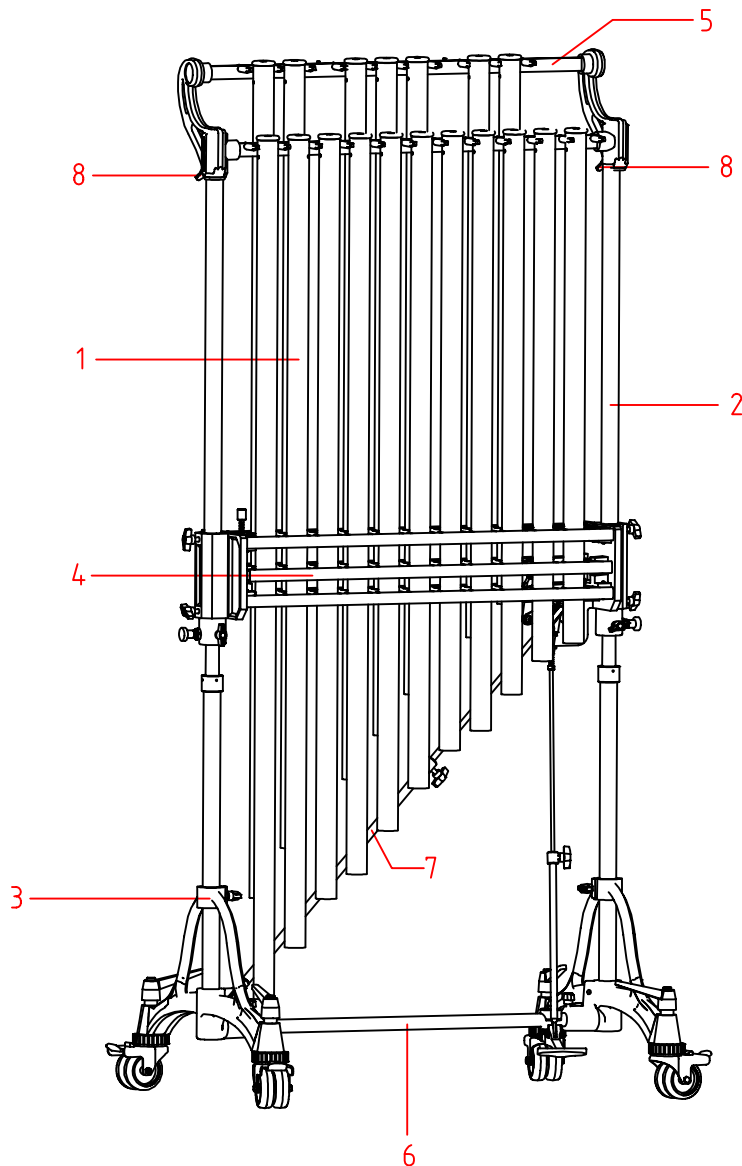
Cat#	Description
BK5000C	Philharmonic chimes 0.5 octave, chrome plated
BK5000S	Philharmonic chimes 0.5 octave, satin finished



Pos#	Cat#	Description	More information
1	BK5000CSET	Set of chrome tubular bells for BK5000C (7 pcs)	page 8
	BK5000SSET	Set of satin tubular bells for BK5000S (7 pcs)	page 8
2	226	Set of side tubes for BK5000 (2 pcs)	page 9
3	200	Frame foot for chimes, assembled (2 pcs)	page 10
4	203	Damping mechanism BK5000, assembled	page 11
5	PCA11	Head complete for BK5000	
6	PCA18	Pedal assembly for BK5000	page 14
7	PB509	Wing screw plastic (wingwith 40 mm) m8x20	

Philharmonic chimes 1.5 octave

Cat#	Description
BK5003C	Philharmonic chimes 1.5 octave, chrome plated
BK5003S	Philharmonic chimes 1.5 octave, satin finished



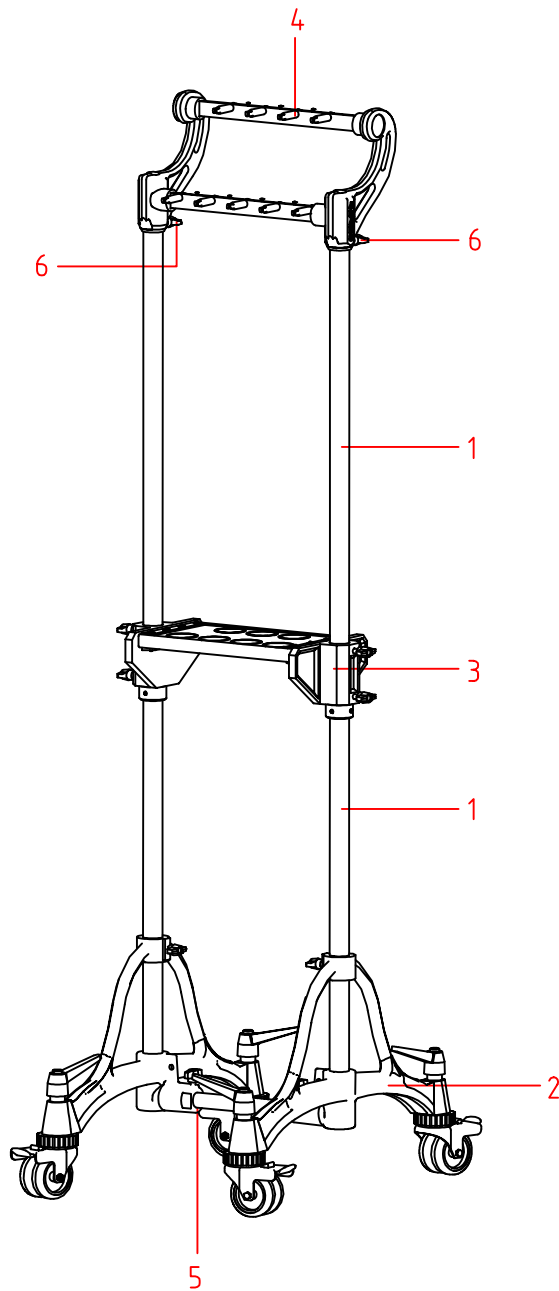
Pos#	Cat#	Description	More information
1	-	Cat# is dependent on instrument, see table I	
2	226	Set of side tubes for BK5003 (2 pcs)	page 9
3	200	Frame foot for chimes, assembled (2 pcs)	page 10
4	202	Damping mechanism BK3003/BK5003, assembled	page 11
5	PCA13	Head complete for BK3003/BK5003	
6	PCA15	Pedal assembly for BK5003	page 13
7	PCA20	Shore assembled for chimes	
8	PB509	Wing screw plastic (wingwith 40 mm) m8x20	

table I

Type	Cat#	Description	More information
BK5003C	BK5003CSET	Set of chrome tubular bells for BK5003C (18 pcs)	page 8
BK5003S	BK5003SSET	Set of satin tubular bells for BK5003S (18 pcs)	page 8

Rack for 7 chimes



















Cat# 215 Description Set of chimes for tubulair bells BKD15



Pos#	Cat#	Description	More information
1	PCA23	Set of side tubes for BKF05 (2 pcs)	page 10
2	200	Frame foot for chimes assembled (2 pcs)	page 10
3	210	Tube holder for BKF05	page 15
4	PCA11	Head complete for BK05	
5	PC039	Base support tube for BKF05 chrome, length 391mm	
6	PB509	Wing screw plastic (wingwith 40 mm) m8x20	



















Set of chimes BK2001-BK3003

Cat# Description
 BK2001SET Set of chimes for tubular bells BK2001 chrome plated

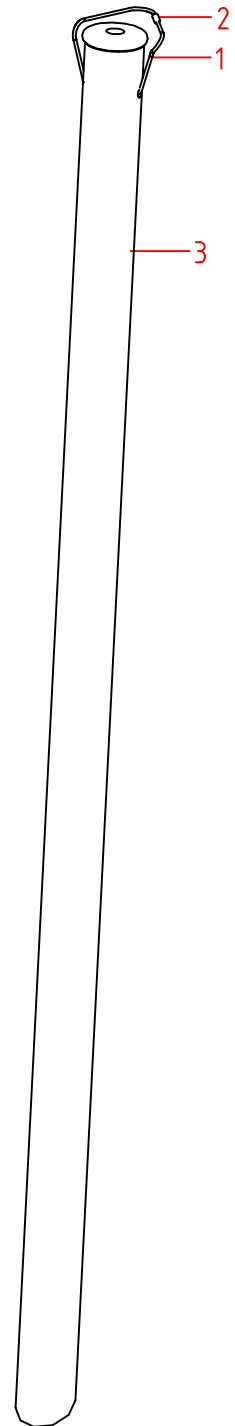
Cat#	BK2001C5	BK2001D5	BK2001E5	BK2001F5	BK2001G5	BK2001A5	BK2001B5	BK2001C6	BK2001D6	BK2001E6	BK2001F6	BK2001C#5	BK2001D#5	BK2001F#5	BK2001G#5	BK2001A#5	BK2001C#6	BK2001D#6
	C5	D5	E5	F5	G5	A5	B5	C6	D6	E6	F6	C#5	D#5	F#5	G#5	A#5	C#6	D#6
																		

Pos#	Cat#	Description
1	PBX07	1.5mm steel cable for chimes
2	PBX08	1.5mm steel damp for chimes
3	see drawing	Chime for tubular bell BK2001

Cat# Description
 BK3003SET Set of chimes for tubular bells BK3003, chrome plated

Cat#	BK3003C5	BK3003D5	BK3003E5	BK3003F5	BK3003G5	BK3003A5	BK3003B5	BK3003C6	BK3003D6	BK3003E6	BK3003F6	BK3003C#5	BK3003D#5	BK3003F#5	BK3003G#5	BK3003A#5	BK3003C#6	BK3003D#6
	C5	D5	E5	F5	G5	A5	B5	C6	D6	E6	F6	C#5	D#5	F#5	G#5	A#5	C#6	D#6
																		

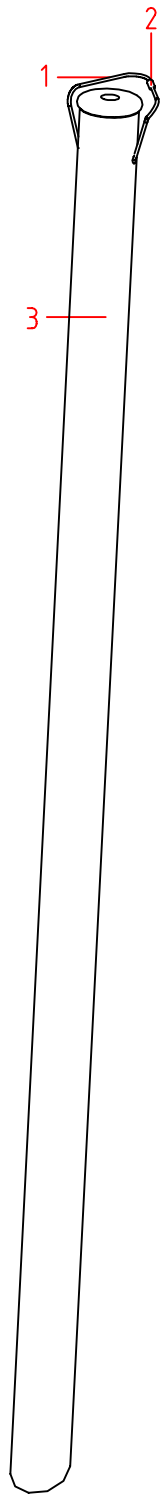
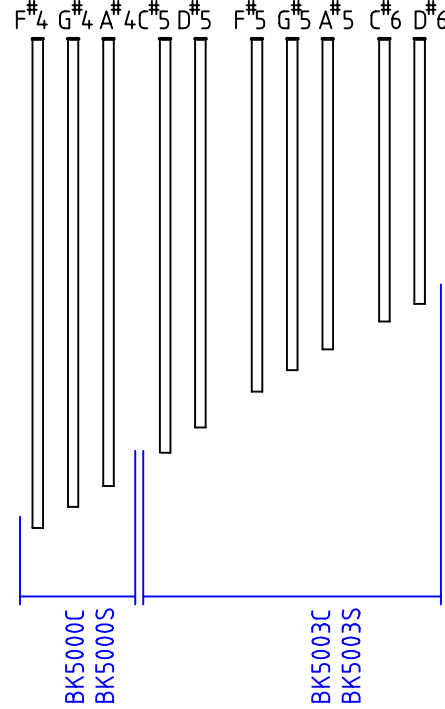
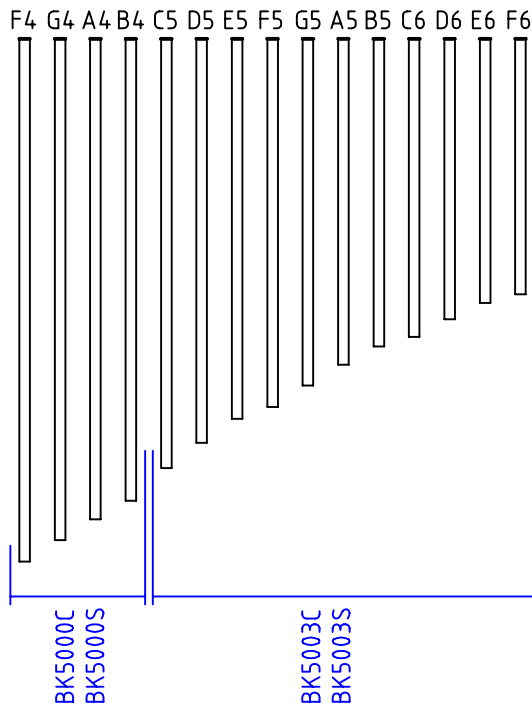
Pos#	Cat#	Description
1	PBX07	1.5mm steel cable for chimes
2	PBX08	1.5mm steel damp for chimes
3	see drawing	Chime for tubular bell BK3003



Set of Philharmonic tubular bells

Cat#	Description
BK5003CSET	Set of tubular bells for BK5003C, chrome plated
BK5003SSET	Set of tubular bells for BK5003S, satin finished
BK5000CSET	Set of tubular bells for BK5000C, chrome plated
BK5000SSET	Set of tubular bells for BK5000S, satin finished

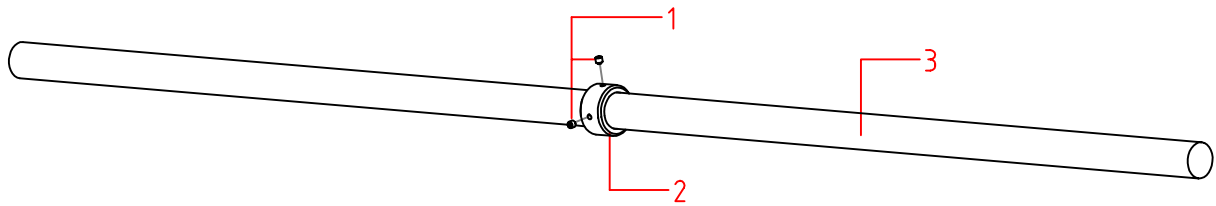
chrome plated	satin finished
BK5000CF4	BK5000SF4
BK5000CG4	BK5000SG4
BK5000CA4	BK5000SA4
BK5000CB4	BK5000SB4
BK5003CC5	BK5003SC5
BK5003CD5	BK5003SD5
BK5003CE5	BK5003SE5
BK5003CF5	BK5003SF5
BK5003CG5	BK5003SG5
BK5003CA5	BK5003SA5
BK5003CB5	BK5003SB5
BK5003CC6	BK5003SC6
BK5003CD6	BK5003SD6
BK5003CE6	BK5003SE6
BK5003CF6	BK5003SF6
BK5000CG4	BK5000SG4
BK5000CA4	BK5000SA4
BK5000CB4	BK5000SB4
BK5003CC#5	BK5003SC#5
BK5003CD#5	BK5003SD#5
BK5003CF#5	BK5003SF#5
BK5003CG#5	BK5003SG#5
BK5003CA#5	BK5003SA#5
BK5003CC#6	BK5003SC#6
BK5003CD#6	BK5003SD#6



Pos#	Cat#	Description
1	PBX07	1.5mm steel cable for chimes
2	PBX08	1.5mm steel damp for chimes
3	see drawing	Chime for tubular bell

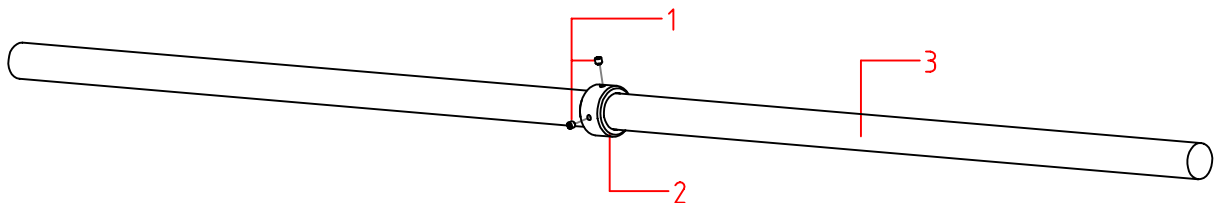
Side tubes

Cat# 225 Description Set of side tubes BK2001



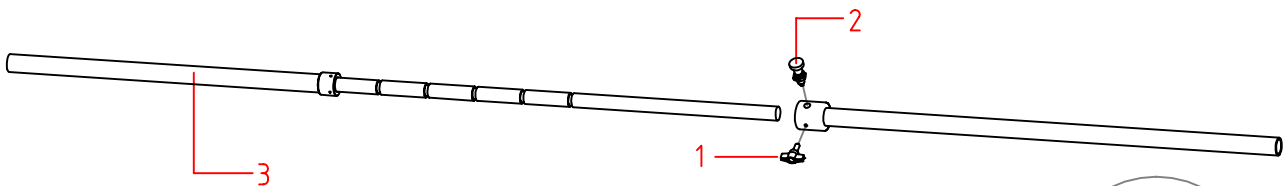
Pos#	Cat#	Description
1	PB093	Hexagon socket set screw m6x6
2	PC016	Support ring for damping mechanism
3	PC014	Side tube BK2001, not assembled

Cat# 227 Description Set of side tubes BK3003

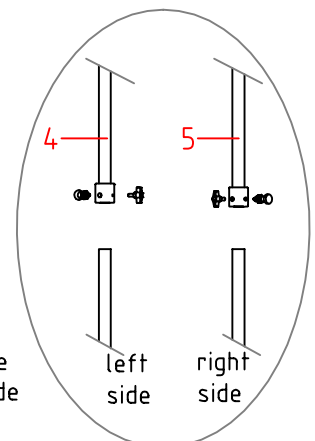


Pos#	Cat#	Description
1	PB093	Hexagon socket set screw m6x6
2	PC016	Support ring for damping mechanism
3	PC015	Side tube BK3003, not assembled

Cat# 226 Description Set of side tubes BK5000-BK5003

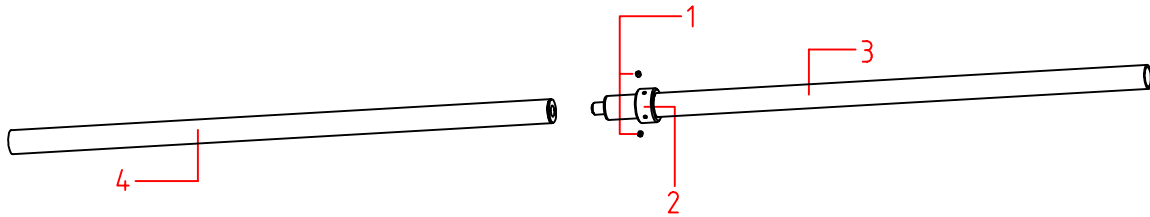


Pos#	Cat#	Description
1	PB509	Winding screw plastic (wingwith 40mm) m8x20
2	PB132	Locking bolt m12
3	PC030	Compound bottom part for height adjusting
4	PC031	Upper part with bin for height adjusting, left side
5	PC032	Upper part with bin for height adjusting, right side



Side tubes BKF05

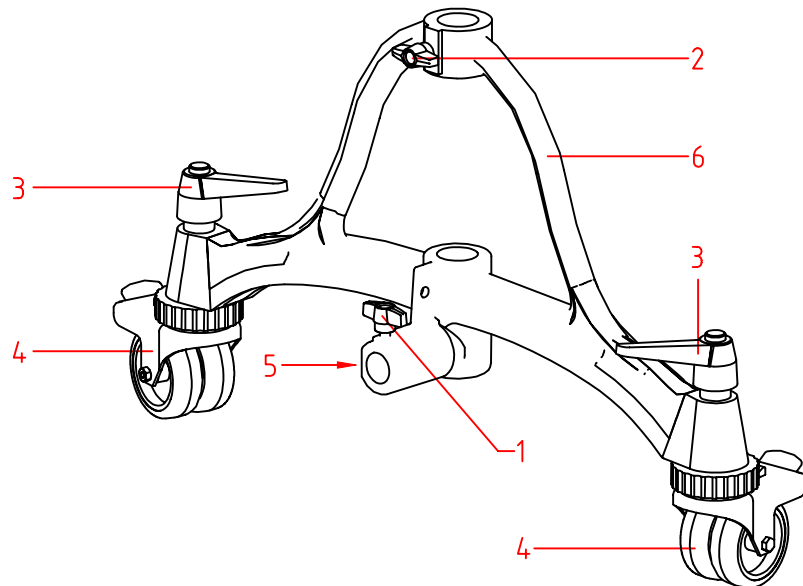
Cat#	Description
PCA23	Side tubes BKF05



Pos#	Cat#	Description
1	PB093	Hexagon socket set screw m6x6
2	PC016	Support ring for damping mechanism
3	PC037	Side tube with outside thread
4	PC038	Side tube with internal screw thread

Framefoot for chimes

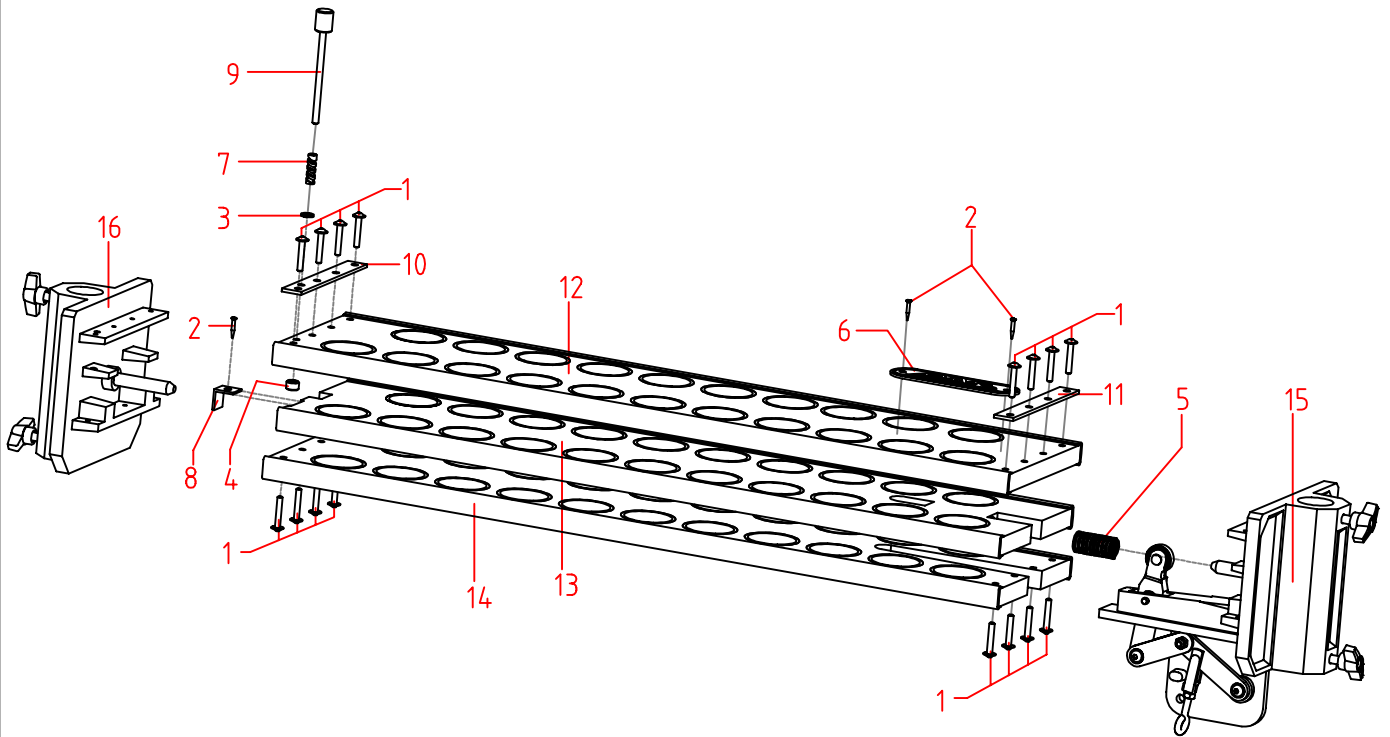
Cat#	Description
200	Framefoot for chimes (set of 2)



Pos#	Cat#	Description
1	PB507	Wing screw plastic (wingwith 40 mm) m8x15
2	PB509	Wing screw plastic (wingwith 40 mm) m8x20
3	PB532	Clamp lever - liftable - plastic
4	PBW04	Castor with double brake, black
5	PC033	Felt for protection
6	PC025	Base, casting foot BK

Damping mechanism

Cat#	Description
201	Damping mechanism BK2001 assembly
202	Damping mechanism BK3003-BK5003 assembly
203	Damping mechanism BK5000 assembly



Pos#	Cat#	Description	More information
1	PB162	Hexagon socket button head cap screw with flange m5x30, black	
2	PB124	Countersunk head tapping screw 2.9x19mm, black	
3	PB406	Plain washer m6	
4	PB429	Adjusting ring 6x12x8mm, chrome	
5	PBC07	Tension spring	
6	PM107	Name plate Adams silver	
7	PBC12	Spring 28mm	
8	PC034	Stop plate for damping	
9	PC013	Block pen for damping	
10	PC035	Decorative strip for upper damping assembly, left side	
11	PC036	Decorative strip for upper damping assembly, right side	
12	-	cat# is dependent on instrument, see table I	
13	-	cat# is dependent on instrument, see table I	
14	-	cat# is dependent on instrument, see table I	
15	PCA08	Side part damping assembly, right side (incl. mechanism)	
16	PCA09	Side part damping assembly, left side	

table I

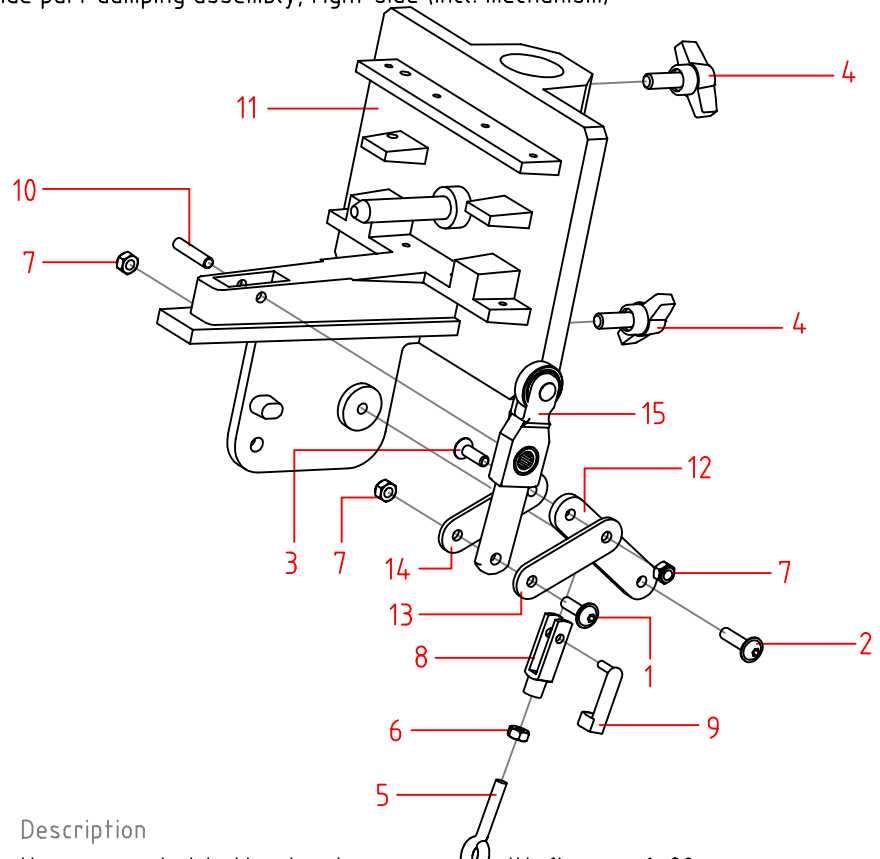
Pos.	Type	Cat#	Description	More information
12	201		Upper damping assembly for BK2001	PCA04T BKD15 Top
13	201		Middle damping assembly for BK2001	PCA04M BKD15 Middle
14	201		Under damping assembly for BK2001	PCA04B BKD15 Bottom
12	202		Upper damping assembly for BK3003-BK5003	PCA05T BK05 Top
13	202		Middle damping assembly for BK3003-BK5003	PCA05M BK05 Middle
14	202		Under damping assembly for BK3003-BK5003	PCA05B BK05 Bottom
12	203		Upper damping assembly for BK5000	PCA06T BKS10 Top
13	203		Middle damping assembly for BK5000	PCA06M BKS10 Middle
14	203		Under damping assembly for BK5000	PCA06B BKS10 Bottom
12	203		Upper damping assembly for BK5000	PCA07T BKS/BKP15 Top
13	203		Middle damping assembly for BK5000	PCA07M BKS/BKP15 Middle
14	203		Under damping assembly for BK5000	PCA07B BKS/BKP15 Bottom
12	203		Upper damping assembly for BK5000	PCA08T BKS/BKP16 Top
13	203		Middle damping assembly for BK5000	PVA08M BKS/BKP16 Middle
14	203	Under damping assembly for BK5000	PVA08B BKS/BKP16 Bottom	

CORRECTED 04/10/2017
Model For Position
 PCA04T BKD15 Top
 PCA04M BKD15 Middle
 PCA04B BKD15 Bottom
 PCA05T BK05 Top
 PCA05M BK05 Middle
 PCA05B BK05 Bottom
 PCA06T BKS10 Top
 PCA06M BKS10 Middle
 PCA06B BKS10 Bottom
 PCA07T BKS/BKP15 Top
 PCA07M BKS/BKP15 Middle
 PCA07B BKS/BKP15 Bottom
 PCA08T BKS/BKP16 Top
 PVA08M BKS/BKP16 Middle
 PVA08B BKS/BKP16 Bottom

Side part assembly

Cat#
PCA08

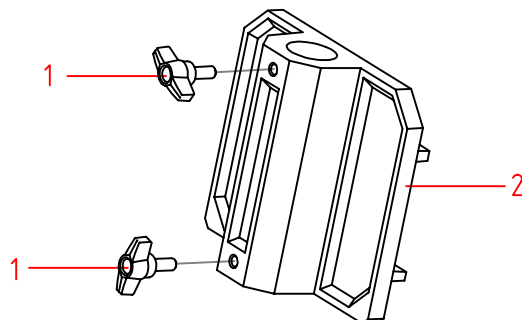
Description
Side part damping assembly, right side (incl. mechanism)



Pos#	Cat#	Description
1	PB049	Hexagon socket button head cap screw with flange m6x20
2	PB050	Hexagon socket button head cap screw with flange m6x25
3	PB081	Hexalobular countersunk head screw m6x20
4	PB509	Wing screw plastic (wingwith 40 mm) m8x20
5	PB137	Eye screw steel zinc plated m6x30x10
6	PB300	Hexagon nut steel zinc plated m6
7	PB310	Hexagon nut with plastic insert m6
8	PB337	Pitch fork m6x24 zinc
9	PB341	Clamp for pitch fork m6x24 zinc
10	PB610	Grooved pins, half length taper grooved 6x20
11	PC027	Sidepiece chimes with mechanism
12	PC010	Large strip damping mechanism, chromed
13	PC011F	Small strip damping mechanism frontside, chromed
14	PC011B	Small strip damping mechanism back side, chromed
15	PCA01	Toggle for damping mechanism chimes

Cat#
PCA09

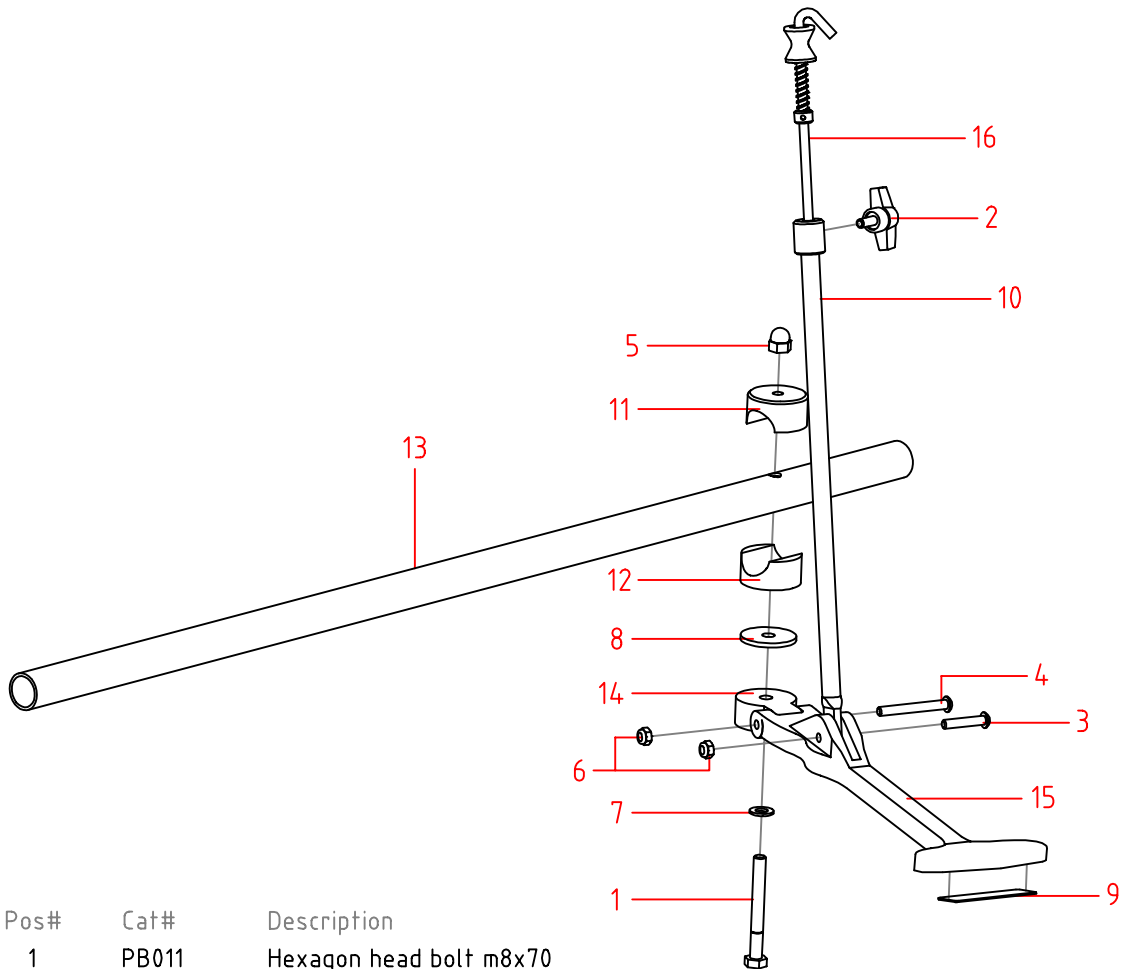
Description
Side part damping assembly, left side



Pos#	Cat#	Description
1	PB509	Wing screw plastic (wingwith 40 mm) m8x20
2	PC028	Sidepiece chimes without mechanism

Pedal assembly

Cat#	Description
PCA14	Pedal assembly standard chimes 1.5 octave, BK2001
PCA15	Pedal assembly philharmonic chimes 1.5 octave, BK5003
PCA16	Pedal assembly symphonic chimes 1.5 octave, BK3003

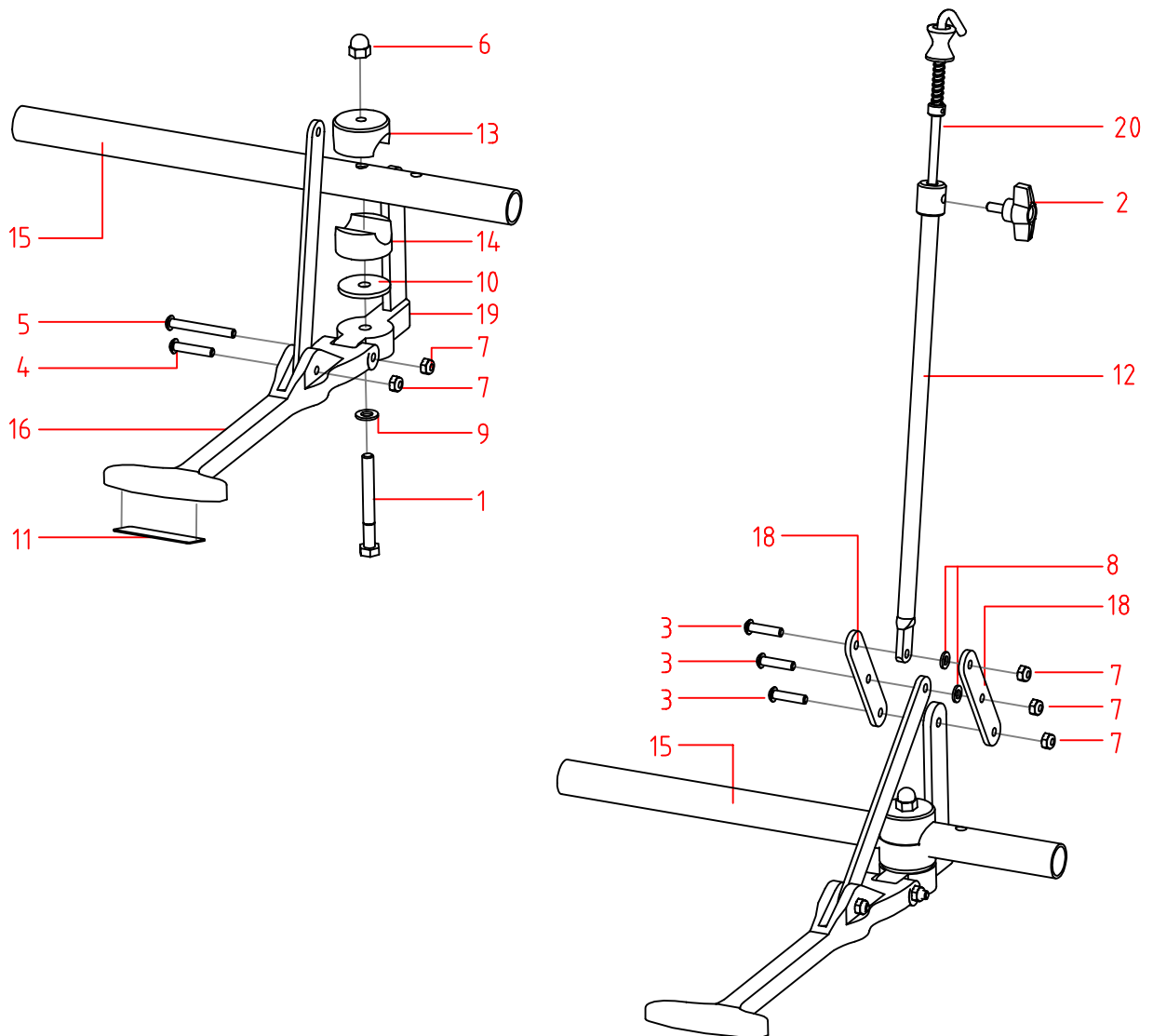


Pos#	Cat#	Description
1	PB011	Hexagon head bolt m8x70
2	PB505	Wing screw plastic (wingwith 40 mm) m6x15
3	PB117	Hexagon socket button head cap screw m6x30, black
4	PB118	Hexagon socket button head cap screw m6x50, black
5	PB318	Hexagon cap nut m8
6	PB329	Selflocking hexagon nut cleveloc m6, black
7	PB407	Plain washer m8
8	PC029	Leather disc 37x8x3 mm
9	PC033	Felt for protection
10	-	Cat# is dependent on instrument, see table I
11	PC003	Adjustable holder for pedal, upperpart chrome
12	PC041	Adjustable holder for pedal, underpart chrome
13	-	Cat# is dependent on instrument, see table I
14	PC052	Part to connect pedal to support tube
15	PC026	Pedal casting
16	-	Cat# is dependent on instrument, see table I

Pos#	Type	Cat#	Description	More information
10	PCA14	PC004S	Outside piece for tension rod chimes, length 350 mm	
	PCA15	PC023	Base support tube BK2001, length 765 mm	
	PCA16	PCA22S	Inside piece for tension rod chimes, BK2001-BK3003 length 420 mm	page 15
13	PCA14	PC004S	Outside piece for tension rod chimes, length 350 mm	
	PCA15	PC024	Base support tube BK3003-BK5003, length 840 mm	
	PCA16	PVA28	Inside piece for tension rod chimes BK5000-BK5003, length 560 mm	page 15
16	PCA14	PC004L	Outside piece for tension rod chimes, length 540 mm	
	PCA15	PC024	Base support tube BK3003-BK5003, length 840 mm	
	PCA16	PCA22S	Inside piece for tension rod chimes BK2001-BK3003, length 420 mm	page 15

Pedal assembly BK5000

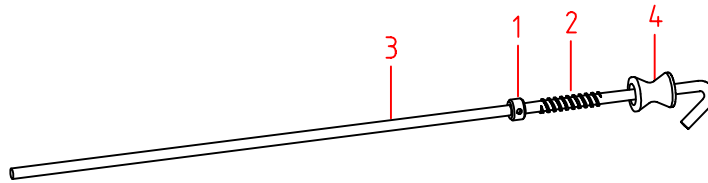
Cat# PCA18
 Description Pedal assembly philharmonic chimes 0.5 octave, BK5000



Pos#	Cat#	Description	More information
1	PB011	Hexagon head bolt m8x70	
2	PB505	Wing screw plastic (wingwith 40 mm) m6x15	
3	PB116	Hexagon socket button head cap screw m6x25, black	
4	PB117	Hexagon socket button head cap screw m6x30, black	
5	PB110	Hexagon socket button head cap screw with flange m6x50, black	
6	PB318	Hexagon cap nut m8	
7	PB329	Selflocking hexagon nut cleveloc m6, black	
8	PB406	Plain washer m6	
9	PB407	Plain washer m8	
10	PC029	Leather disc 37x8x3 mm	
11	PC033	Felt for protection	
12	PC004L	Outside piece for tension rod chimes, length 540 mm	
13	PC003	Adjustable holder for pedal, upperpart chrome	
14	PC041	Adjustable holder for pedal, underpart chrome	
15	PC021	Base support tube BK5000, length 391 mm	
16	PC026	Pedal casting	
17	PC017	Strip for pedal mechanism BK5000, length 191 mm	
18	PC018	Strip for pedal mechanism BK5000, length 95 mm	
19	PCA02	Weld part to connect pedal to support tube	
20	PVA28	Inside piece for tension rod, length 560 mm	

Inside piece for tension rod

Cat#	Description
PCA22S	Inside piece for tension rod pedal chimes BK2001-BK3003 length 420 mm, assembled
PVA28	Inside piece for tension rod pedal chimes BK5000-BK5003 length 560 mm, assembled



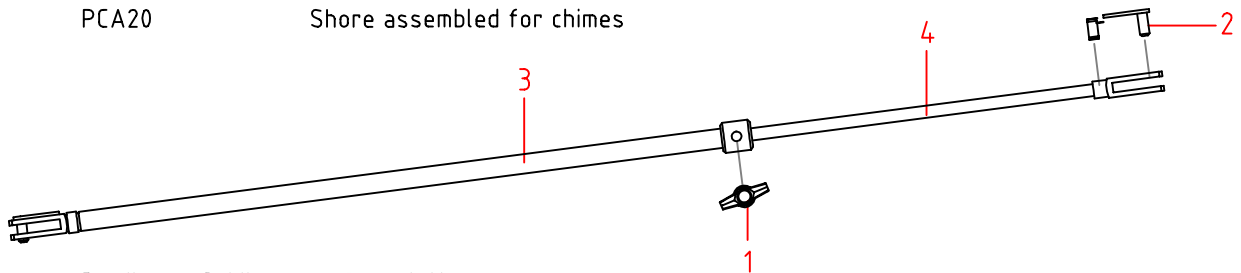
Pos#	Cat#	Description
1	PB429	Adjusting ring 6x12x8 mm, chrome
2	PBC03	Compression spring
3	-	Cat# is dependent on instrument, see table
4	PC012	Clampbutton for pedal chimes, chrome

Table Pos3

Type	Cat#	Description
PCA22S	PC002	Inside piece for tension rod pedal chimes BK2001-BK3003, length 420 mm
PVA28	PC042	Inside piece for tension rod pedal chimes BK5000-BK5003, length 560 mm

Shore assembled

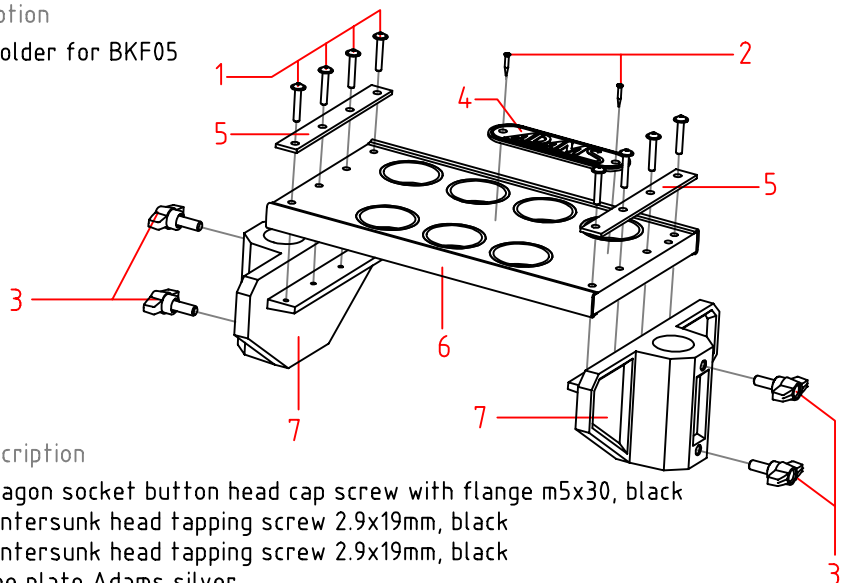
Cat#	Description
PCA20	Shore assembled for chimes



Pos#	Cat#	Description
1	PB507	Wing screw plastic (wingwith 40 mm) m8x15
2	PB343	Clamp for pitch fork m8x32 zinc
3	PC005	Outside piece for shore chimes
4	PC001	Inside piece with gaf for shore chimes, chrome

Tube holder BKF05

Cat#	Description
210	Tube holder for BKF05



Pos#	Cat#	Description
1	PB162	Hexagon socket button head cap screw with flange m5x30, black
2	PB124	Countersunk head tapping screw 2.9x19mm, black
3	PB509	Countersunk head tapping screw 2.9x19mm, black
4	PM107	Name plate Adams silver
5	PC036	Decorative strip for upper damping assembly
6	PCA06T	Upper damping assembly for BKS05
7	PC043	Sidepiece BKF05, not assembled