

# PEARL DRUMS Spare Parts Catalog 2012

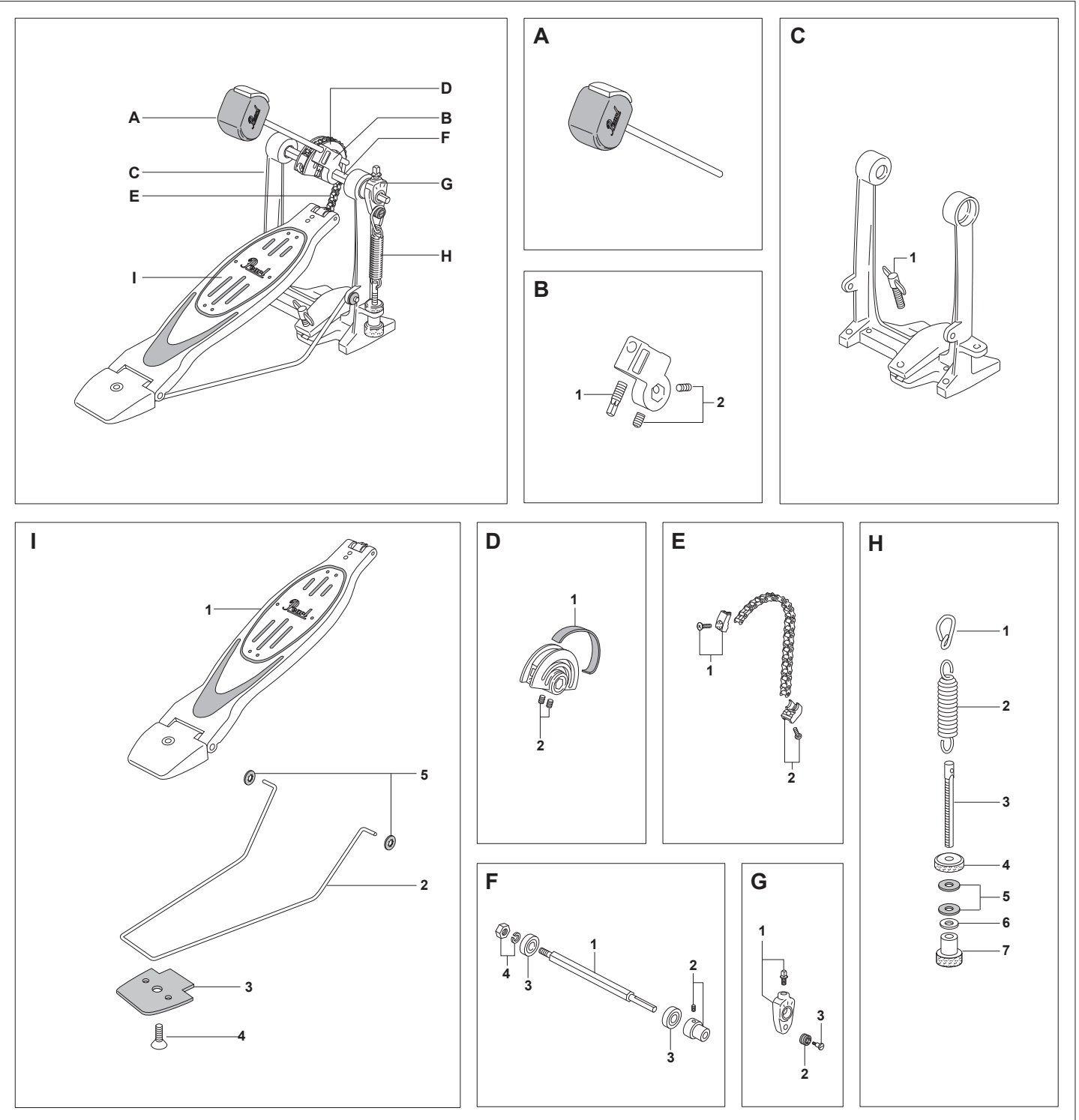


## CONTENTS

DRUM PEDALS .....	1~9
HI-HAT STANDS .....	10~16
HI-HAT ACCESSORIES .....	17
ACCESSORIES .....	18
SNARE STANDS .....	19~21
DRUM THRONES .....	22~25
CYMBAL BOOM STANDS .....	26~29
CYMBAL STANDS .....	30~31
FLAT BASE STAND .....	32
CYMBAL HOLDERS .....	32~34
TOM STANDS .....	35~36
ADAPTERS .....	37
TOM HOLDERS .....	38~39
DRUM RACKS, PIPE CLAMPS, RACK JOINT .....	40~41
OPTIMOUNT, I.S.S. ....	42~43
TOM HOLDER BASES, BRACKETS .....	43
BASS DRUM SPURS .....	44
FLOOR TOM LEG BRACKETS, LEGS .....	45~46
STOP LOCKS, SNARE WIRES .....	46
HOOPS .....	47
STRAINERS .....	48~49
LUGS .....	49~51
BOLTS, TENSION CLAWS .....	51
F.F.S. SNARE DRUM .....	52
PRACTICE PADS .....	53

# DRUM PEDALS

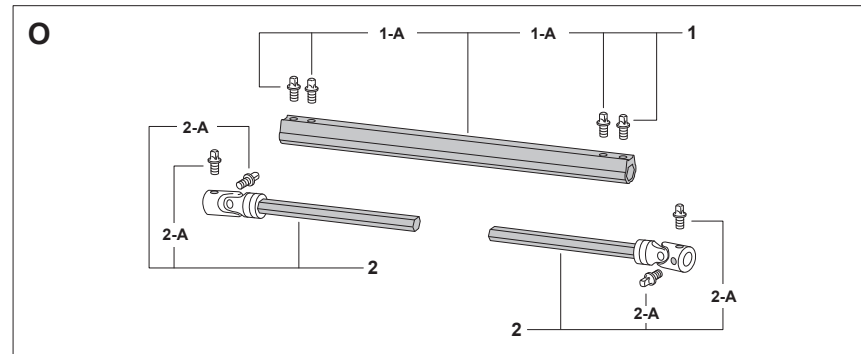
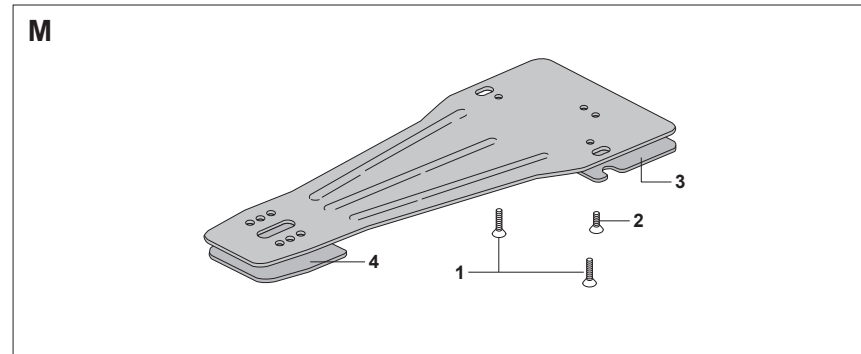
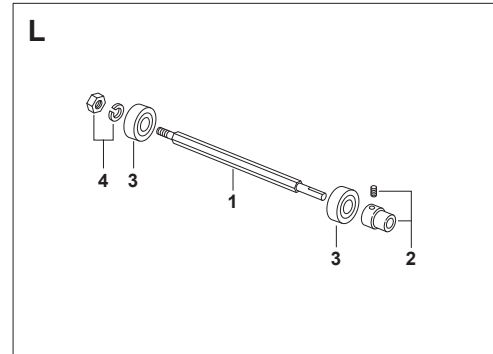
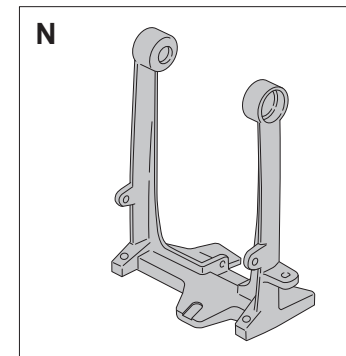
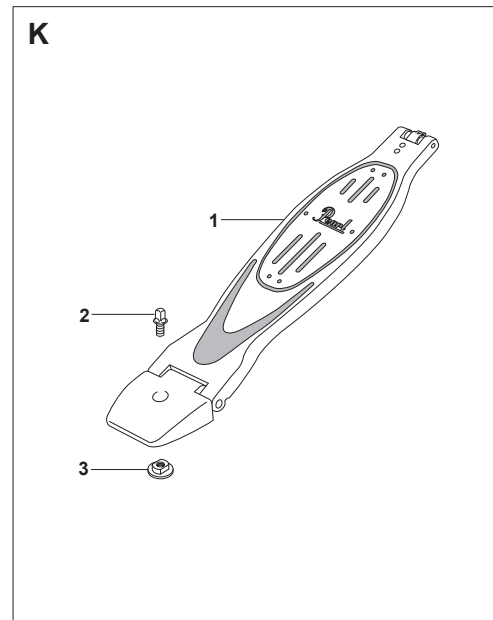
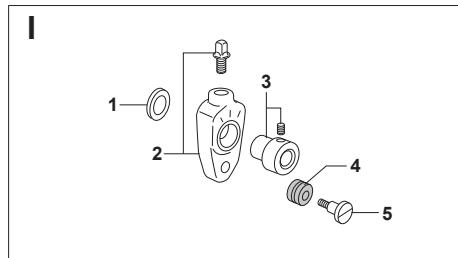
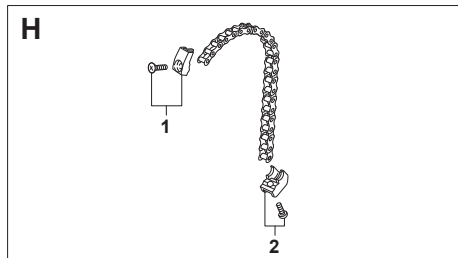
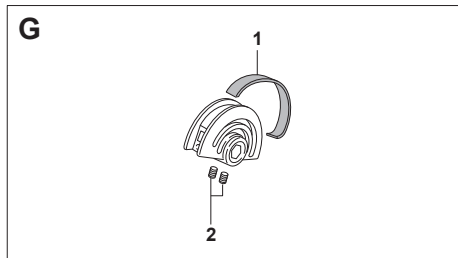
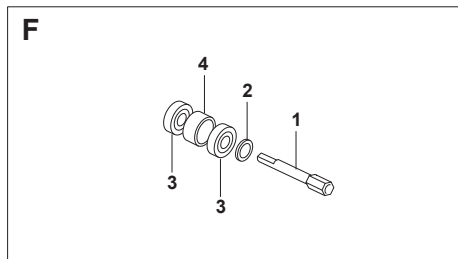
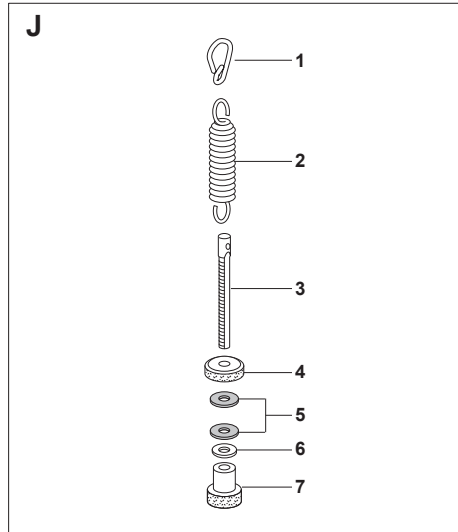
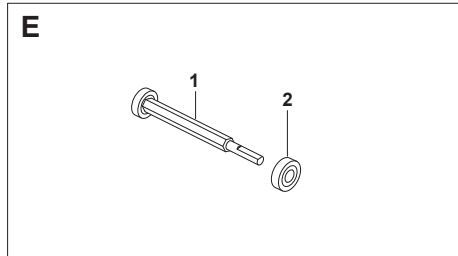
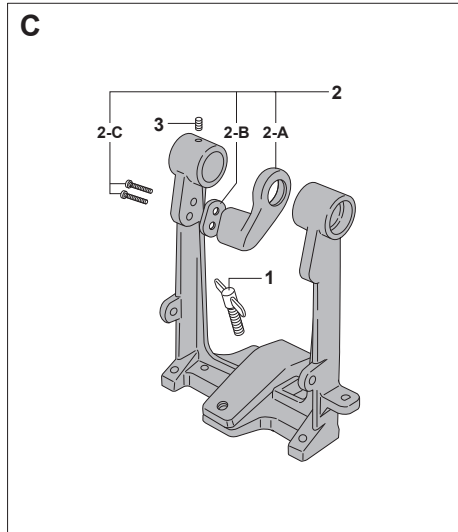
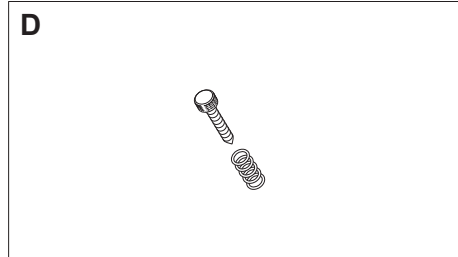
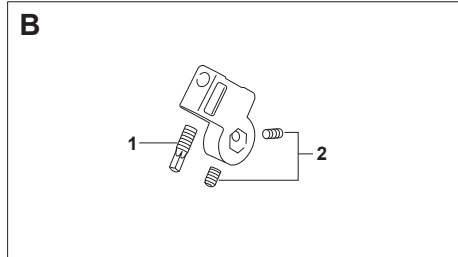
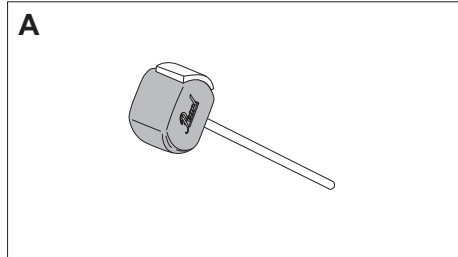
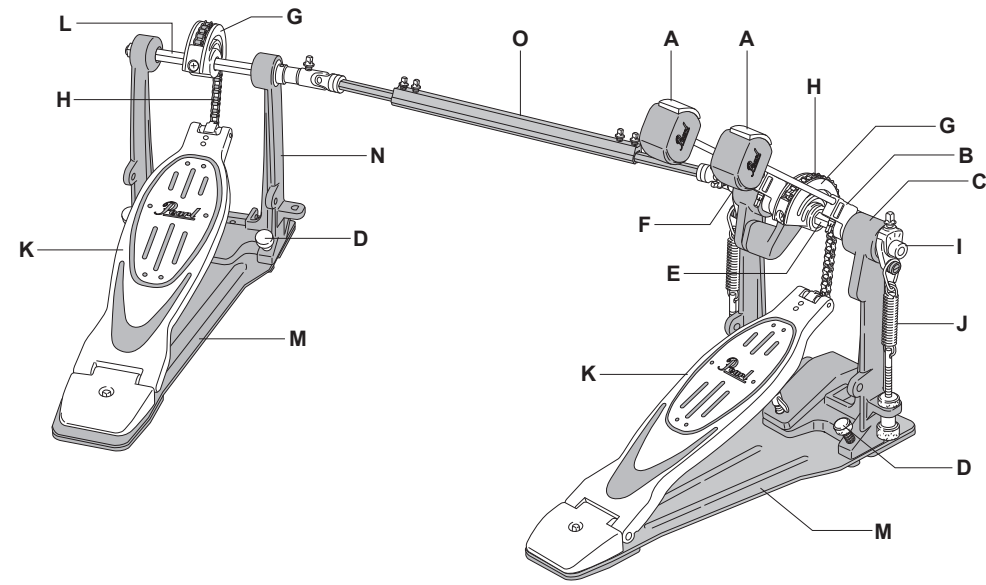
## P-890



- |          |                |                                    |          |                 |                             |                                  |                |                                 |  |
|----------|----------------|------------------------------------|----------|-----------------|-----------------------------|----------------------------------|----------------|---------------------------------|--|
| <b>A</b> | <b>DB-100</b>  | <b>"DuoBeat" 2 Way Beater</b>      | <b>F</b> | <b>ME-501AC</b> | <b>Hexagonal Axle Assy.</b> | <b>H</b>                         | <b>SPA-90A</b> | <b>Spring Assy. Complete</b>    |  |
| <b>B</b> | <b>AD-6A</b>   | <b>Beater Holder Link Complete</b> | 1        | ME-501          | Hexagonal Axle ONLY         | 1                                | SP-74          | Hook                            |  |
|          | 1              | KB-814                             | 2        | SM-29A          | Axle Sleeve w/Allen Screw   | 2                                | SP-31F         | Spring (w/Felt) ONLY            |  |
|          | 2              | SB-66                              | 3        | NU-07B          | Bearing (one each)          | 3                                | ME-166         | Adjustment Bolt                 |  |
|          |                |                                    | 4        | BSA-3           | End Nut w/Washer            | 4                                | ME-500         | Upper Nut                       |  |
| <b>C</b> | <b>PF-P89A</b> | <b>Pedal Frame w/Hoop Clamp</b>    |          | <b>G</b>        | <b>ZD-37AC</b>              | <b>Beater Angle Cam Complete</b> | 5              | NP-407                          | Washers (one each)                       |
|          | 1              | ME-69                              | 1        | ZD-37A          | Beater Angle Cam w/Key Bolt | 1                                | WS-27          | Lock Washer                     |  |
|          |                |                                    | 2        | ME-646          | Cam Roller                  | 2                                | ME-391         | Lower Nut                       |  |
|          |                |                                    | 3        | ME-170B         | Cam Bolt                    |                                  | <b>I</b>       | <b>FB-P89</b>                   |  |
|          |                |                                    |          |                 |                             |                                  | 1              | <b>Footboard Assy. Complete</b> |  |
|          |                |                                    |          |                 |                             |                                  | 1              | FB-89P                          | Footboard w/Chain Connector              |
|          |                |                                    |          |                 |                             |                                  | 2              | ME-647                          | Radius Rod                               |
|          |                |                                    |          |                 |                             |                                  | 3              | RRC-90                          | Radius Rod Cover                         |
|          |                |                                    |          |                 |                             |                                  | 4              | SC-258                          | Screw                                    |
|          |                |                                    |          |                 |                             |                                  | 5              | WS-50                           | Push Nut (Radius Rod Stopper) (one each) |

# DRUM PEDALS

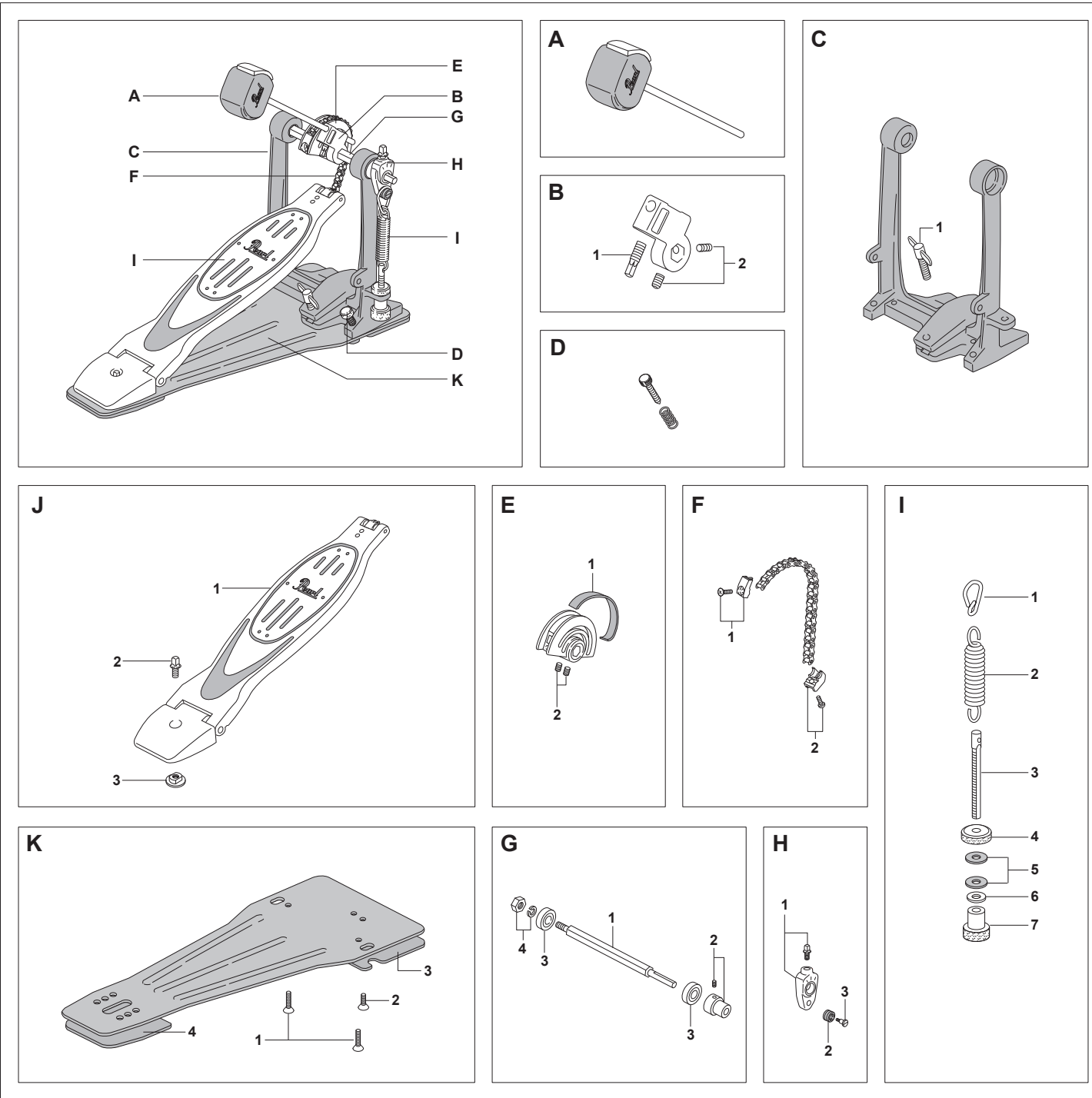
## P-902



- A DB-100 "DuoBeat" 2 Way Beater**
- B AD-6A Beater Holder Link Complete**
- 1 KB-814 Key Bolt**
- 2 SB-66 Allen Screw (one each)**
- C PF-P92RP Pedal Frame w/Hoop Clamp**
- 1 ME-69 Handle Bolt**
- 2 AD-15A Axle Support Arm Assy. Complete**
- 2-A AD-15 Axle Support Arm**
- 2-B AD-16 Axle Support Arm Spacer**
- 2-C SC-222 Screw (one each)**
- 3 SB-44 Allen Screw**
- D LT-636 Anchor Screw w/Spring**
- E ME-394A Hexagonal Axle Assy.**
- 1 HEX-8L Hexagonal Axle w/Bearing**
- 2 NU-07B Bearing**
- F ME-395A Hexagonal Axle Assy.**
- 1 HEX-8S Hexagonal Axle ONLY**
- 2 WS-49 Washer**
- 3 NU-07B Bearing (one each)**
- 4 BS-85 Bearing Spacer**
- G AD-5A Aluminum Wheel Assy. Complete**
- 1 FL-WL Felt Strip**
- 2 SB-66 Allen Screw (one each)**
- H CCA-90 Connecting Chain Assy. Complete**
- 1 ZD-38A Chain End Connector Assy.**
- 2 ZD-40A Chain End Connector Assy.**
- I ZD-37ACC Beater Angle Cam Complete**
- 1 WS-43 Washer**
- 2 ZD-37A Beater Angle Cam w/Key Bolt**
- 3 SM-29A Axle Sleeve w/Allen Screw**
- 4 ME-646 Cam Roller**
- 5 ME-170B Cam Bolt**
- J SPA-90A Spring Assy. Complete**
- 1 SP-74 Hook**
- 2 SP-31F Spring (w/Felt) ONLY**
- 3 ME-166 Adjustment Bolt**
- 4 ME-500 Upper Nut**
- 5 NP-407 Washers (pair)**
- 6 WS-27 Lock Washer**
- 7 ME-391 Lower Nut**
- K FB-P90 Footboard Assy. Complete**
- 1 FB-90P Footboard w/Chain Connector**
- 2 KB-608 Key Bolt**
- 3 ZD-41 Heel Position Adjust Nut**
- L ME-501AC Hexagonal Axle Assy.**
- 1 ME-501 Hexagonal Axle ONLY**
- 2 SM-29A Axle Sleeve w/Allen Screw**
- 3 NU-07B Bearing (one each)**
- 4 BSA-3 End Nut w/Washer**
- M PWP-P90 Power Plate Assy. Complete**
- 1 SC-149 Screw (one each)**
- 2 SC-39 Screw**
- 3 NP-199A Rubber Mat (Front)**
- 4 NP-285 Rubber Mat (Heel)**
- N AD-4 Pedal Frame**
- O DS-200A Drive Shaft Assy. Complete**
- 1 SP-65A Drive Shaft Sleeve w/Key Bolts**
- 1-A KB-608D Key Bolt (one each)**
- 2 HS-200A Hexagonal Drive Shaft w/Key Bolts (one set)**
- 2-A KB-508D Key Bolt (one each)**

# DRUM PEDALS

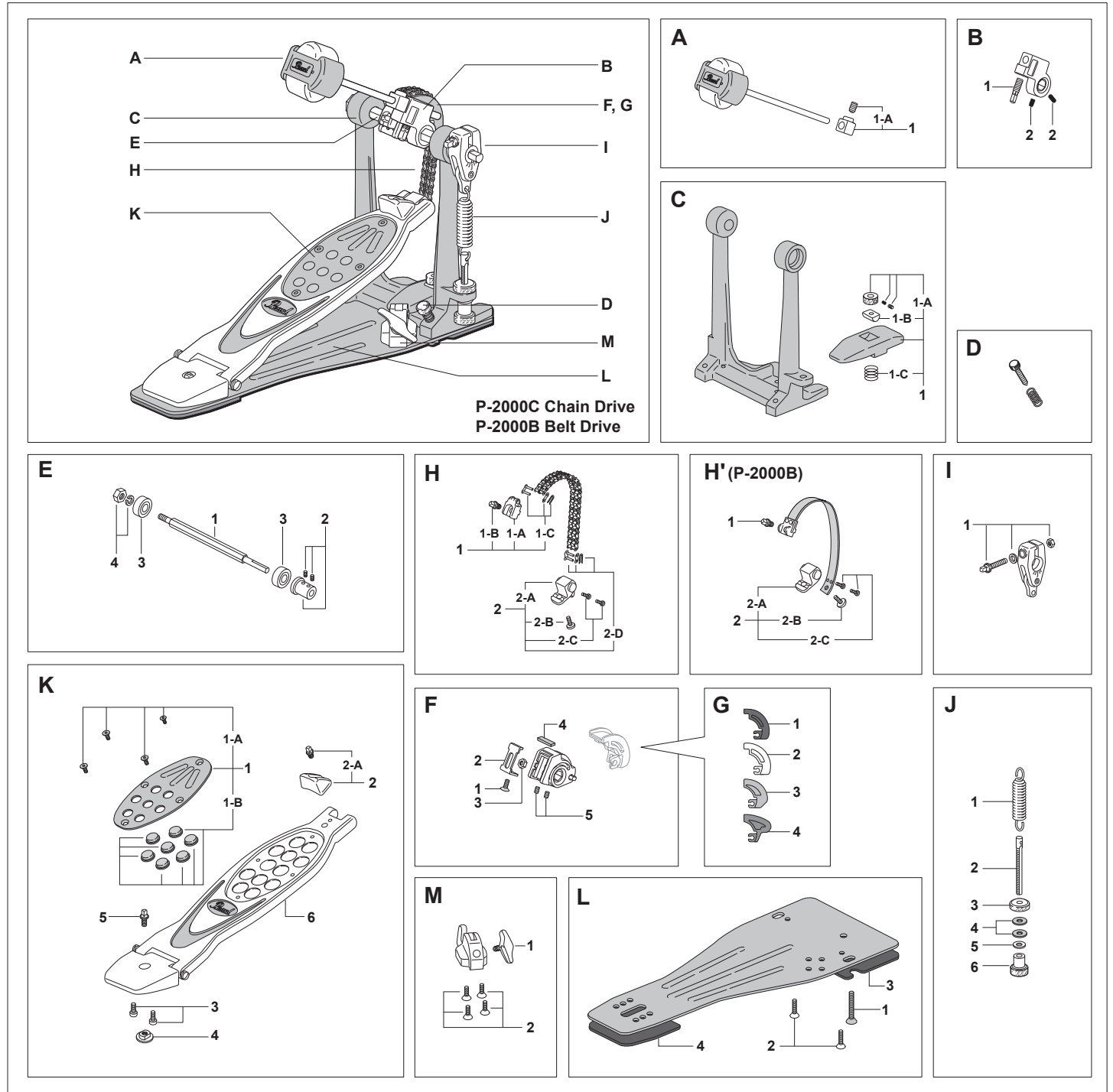
## P-900



<b>A</b>	<b>DB-100</b>	<b>"DuoBeat" 2 Way Beater</b>	<b>G</b>	<b>ME-501AC</b>	<b>Hexagonal Axle Assy.</b>	<b>I</b>	<b>SPA-90A</b>	<b>Spring Assy. Complete</b>
<b>B</b>	<b>AD-6A</b>	<b>Beater Holder Link Complete</b>	1	ME-501	Hexagonal Axle ONLY	1	SP-74	Hook
1	KB-814	Key Bolt	2	SM-29A	Axle Sleeve w/Allen Screw	2	SP-31F	Spring (w/Felt) ONLY
2	SB-66	Allen Screw (one each)	3	NU-07B	Bearing (one each)	3	ME-166	Adjustment Bolt
<b>C</b>	<b>PF-P90A</b>	<b>Pedal Frame w/Hoop Clamp</b>	4	BSA-3	End Nut w/Washer	4	ME-500	Upper Nut
1	ME-69	Handle Bolt	<b>H</b>	<b>ZD-37AC</b>	<b>Beater Angle Cam Complete</b>	5	NP-407	Washers (pair)
<b>D</b>	<b>LT-636</b>	<b>Anchor Screw w/Spring</b>	1	ZD-37A	Beater Angle Cam w/Key Bolt	6	WS-27	Lock Washer
<b>E</b>	<b>AD-5A</b>	<b>Aluminum Wheel Assy. Complete</b>	2	ME-646	Cam Roller	7	ME-391	Lower Nut
1	FL-WL	Felt Strip	<b>J</b>	<b>FB-P90</b>	<b>Footboard Assy. Complete</b>	1	FB-90P	Footboard w/Chain Connector
2	SB-66	Allen Screw (one each)	1	KB-608	Key Bolt	2	KB-608	Key Bolt
<b>F</b>	<b>CCA-90</b>	<b>Connecting Chain Assy. Complete</b>	2	ZD-41	Heel Position Adjust Nut	3	ZD-41	Heel Position Adjust Nut
1	ZD-38A	Chain End Connector Assy.	<b>K</b>	<b>PWP-P90</b>	<b>Power Plate Assy. Complete</b>	1	SC-149	Screw (one each)
2	ZD-40A	Chain End Connector Assy.	1	SC-39	Screw	2	SC-39	Screw
			2	NP-199A	Rubber Mat (Front)	3	NP-199A	Rubber Mat (Front)
			3	NP-285	Rubber Mat (Heel)	4	NP-285	Rubber Mat (Heel)

# DRUM PEDALS

## P-2000C / P-2000B

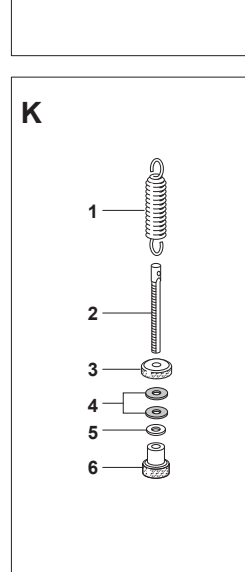
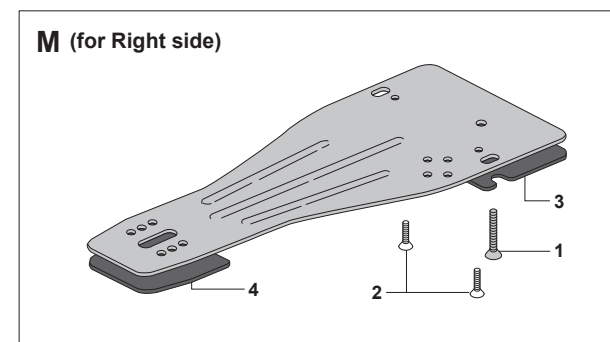
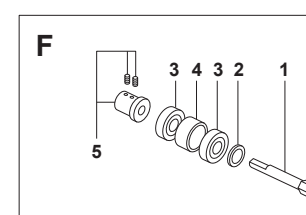
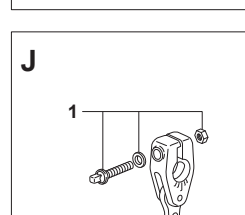
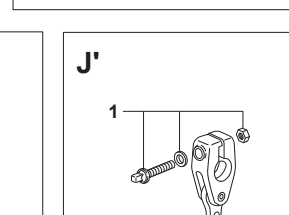
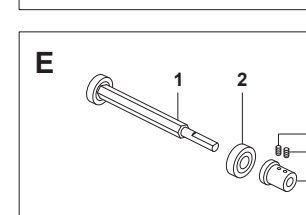
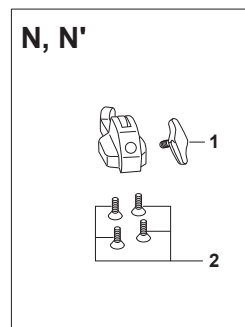
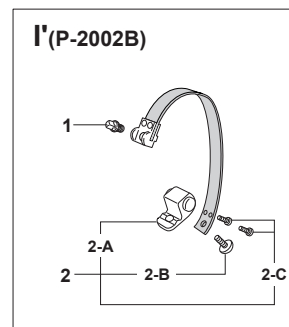
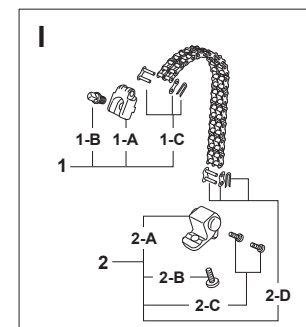
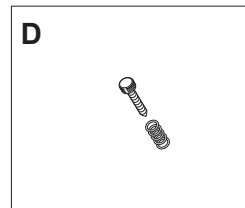
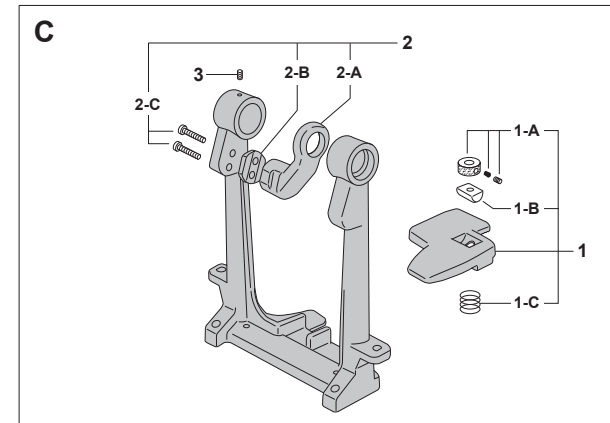
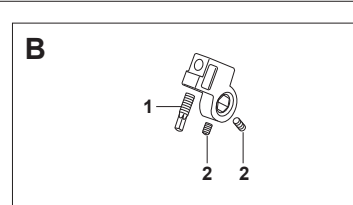
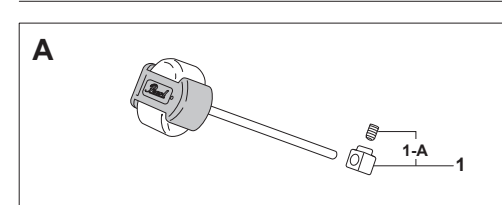
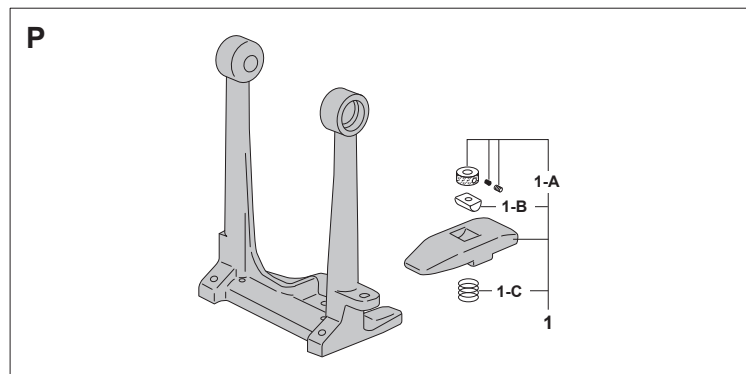
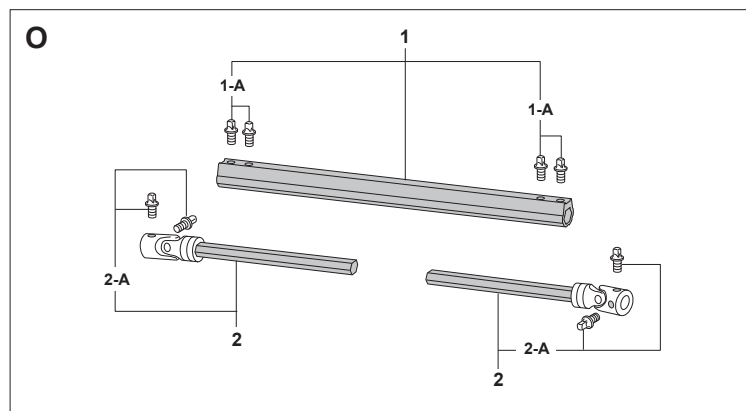
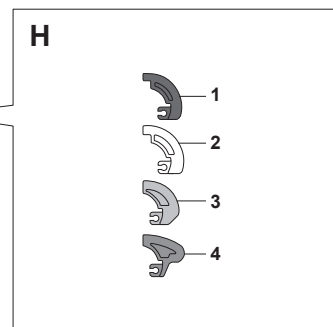
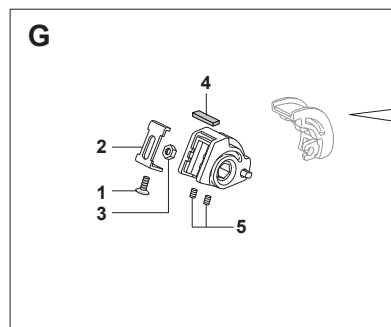
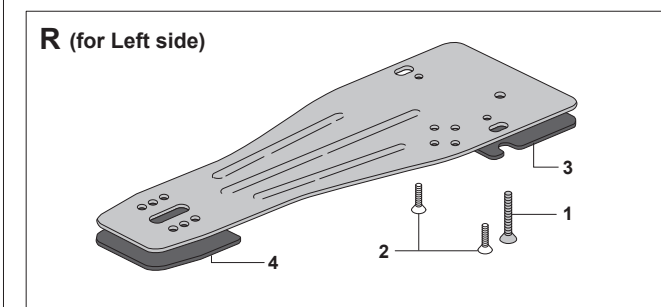
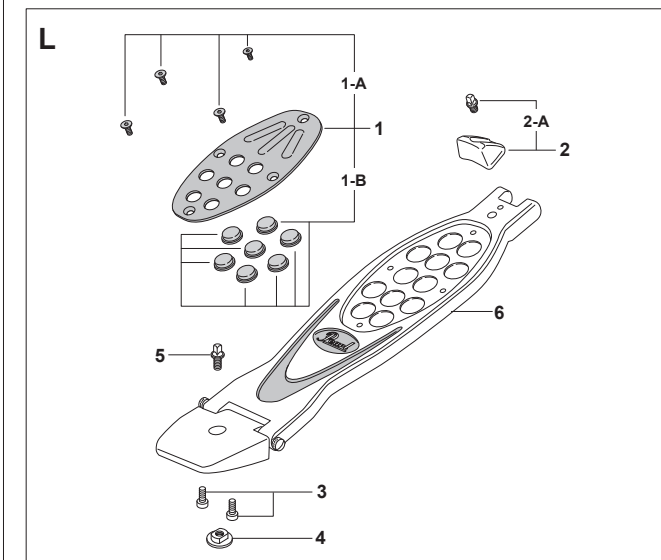
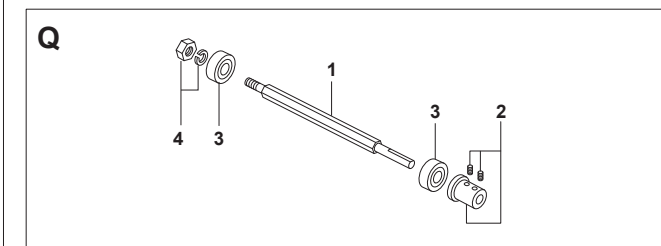
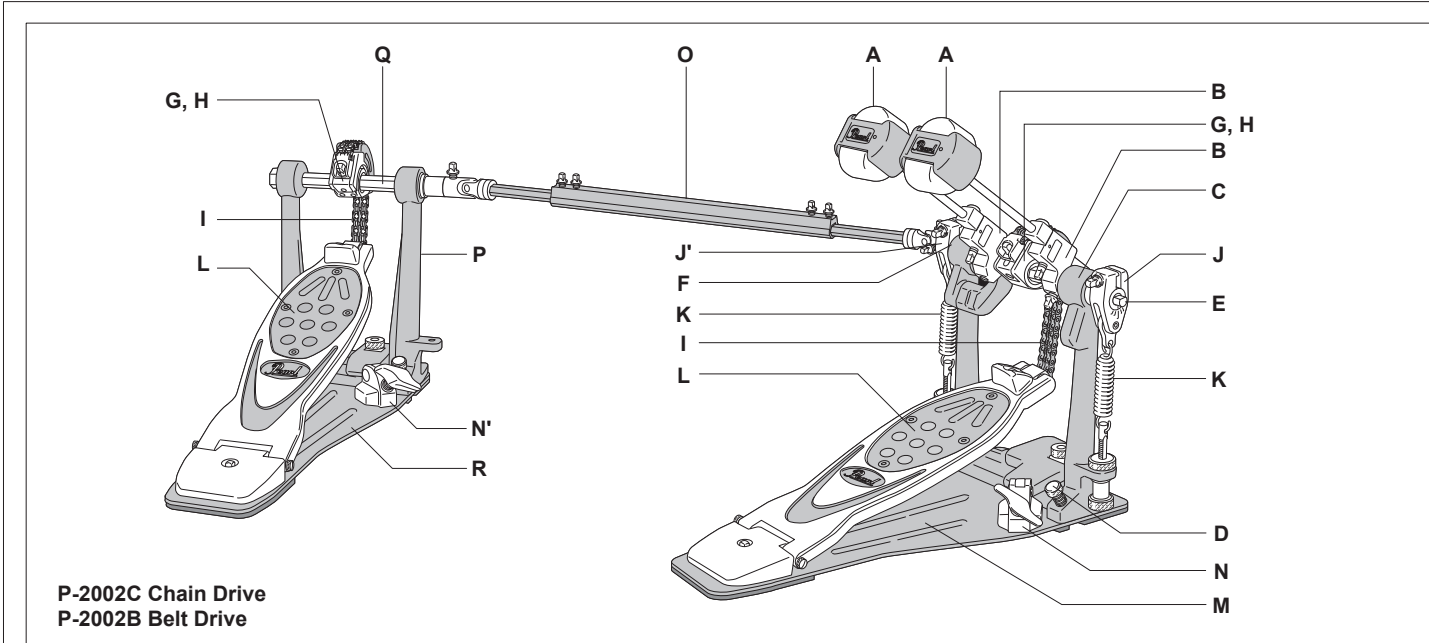


<b>A</b>	<b>B-200QB</b>	<b>Quad Beater Complete</b>	<b>G</b>	<b>CAM-BK</b>	<b>Interchangeable Cam</b>	<b>J</b>	<b>SPA-64AN</b>	<b>Spring Assy. Complete</b>
1	DC-394A	Beater Setting Stopper Assy.	1	CAM-WT	Black Cam	1	SP-64F	Spring (w/Felt) ONLY
1-A	SB-66	Allen Screw	2	CAM-BL	White Cam	2	ME-499	Adjustment Bolt
<b>B</b>	<b>DC-395NA</b>	<b>Beater Holder Link Complete</b>	3	CAM-RD	Blue Cam	3	ME-500	Upper Nut
1	KB-814	Key Bolt	4	CAM-RD	Red Cam	4	NP-407	Washers (pair)
2	SB-66	Allen Screw (one each)	<b>H</b>	<b>CCA-5</b>	<b>Double Chain Assy. Complete / P-2000C</b>	5	WS-27	Lock Washer
<b>C</b>	<b>DC-513A</b>	<b>Pedal Frame w/Hoop Clamp</b>	1	DC-511AA	Chain Connecting Bracket Assy. (Top)	6	ME-391	Lower Nut
1	DC-514A	Hoop Clamp Assy.	1-A	DC-511A	Chain Connecting Bracket ONLY (Top)	<b>K</b>	<b>FB-2000A</b>	<b>Footboard Assy. Complete</b>
1-A	ME-505A	Adjustment Knob Assy.	1-B	KB-508	Key Bolt (short)	1	AL-24A	Traction Plate Assy.
1-B	ME-507	Pivot Block	1-C	ME-244	Chain End Connector Assy.	1-A	SC-363L	Mounting Screw (one each)
1-C	SP-32	Spring	2	DC-511BA	Chain Connecting Bracket Assy. (Bottom)	1-B	NP-283N	Traction Grip (one each)
<b>D</b>	<b>LT-636</b>	<b>Anchor Screw w/Spring</b>	2-A	DC-511B	Chain Connecting Bracket ONLY (Bottom)	2	DC-508A	Toe Stopper Assy.
<b>E</b>	<b>ME-501A</b>	<b>Hexagonal Axle Assy.</b>	2-B	SC-357	Screw	2-A	KB-508	Key Bolt
1	ME-501	Hexagonal Axle ONLY	2-C	SC-284	Screw (one each)	3	SC-261	Screw (one each)
2	ME-393N	Axle Sleeve w/Allen Screws	2-D	ME-244	Chain End Connector Assy.	4	DC-398	Heel Position Adjust Nut
3	NU-07B	Bearing (one each)	<b>H'</b>	<b>BCA-1</b>	<b>Belt Assy. Complete / P-2000B</b>	5	KB-608	Key Bolt
4	BSA-3	End Nut w/Washer	1	KB-512	Key Bolt (long)	6	DC-512SN	Footboard Assy. ONLY
<b>F</b>	<b>DC-509A</b>	<b>Aluminum Wheel Assy. Complete</b>	2	DC-510BA	End Connector Assy. (Bottom)	<b>L</b>	<b>PR-548A</b>	<b>Power Plate Assy. Complete</b>
1	SC-327H	Flat-Head Screw	2-A	DC-510B	End Connector ONLY	1	SC-325R	Screw
2	PR-546	Slider Bracket	2-B	SC-357	Screw	2	SC-149	Screw (one each)
3	NU-10	Hexagonal Nut	2-C	SC-287	Screw (one each)	3	NP-284S	Rubber Mat (Front)
4	FE-40C	Felt	<b>I</b>	<b>DC-396NA</b>	<b>Uni-Lock Beater Angle Cam Complete</b>	4	NP-285	Rubber Mat (Heel)
5	SB-66	Allen Screw (one each)	1	KB-630A	Bolt & Nut Set	<b>M</b>	<b>DC-399S</b>	<b>Hoop Clamp Cam Assy. Complete</b>
						1	UGB-820C	Die-Cast Wing Bolt
						2	SC-191BN	Screw (one each)



# DRUM PEDALS

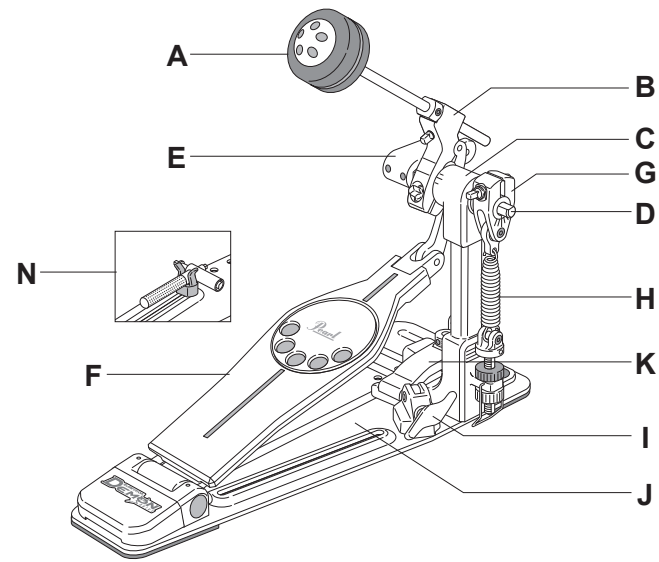
## P-2002C / P-2002B



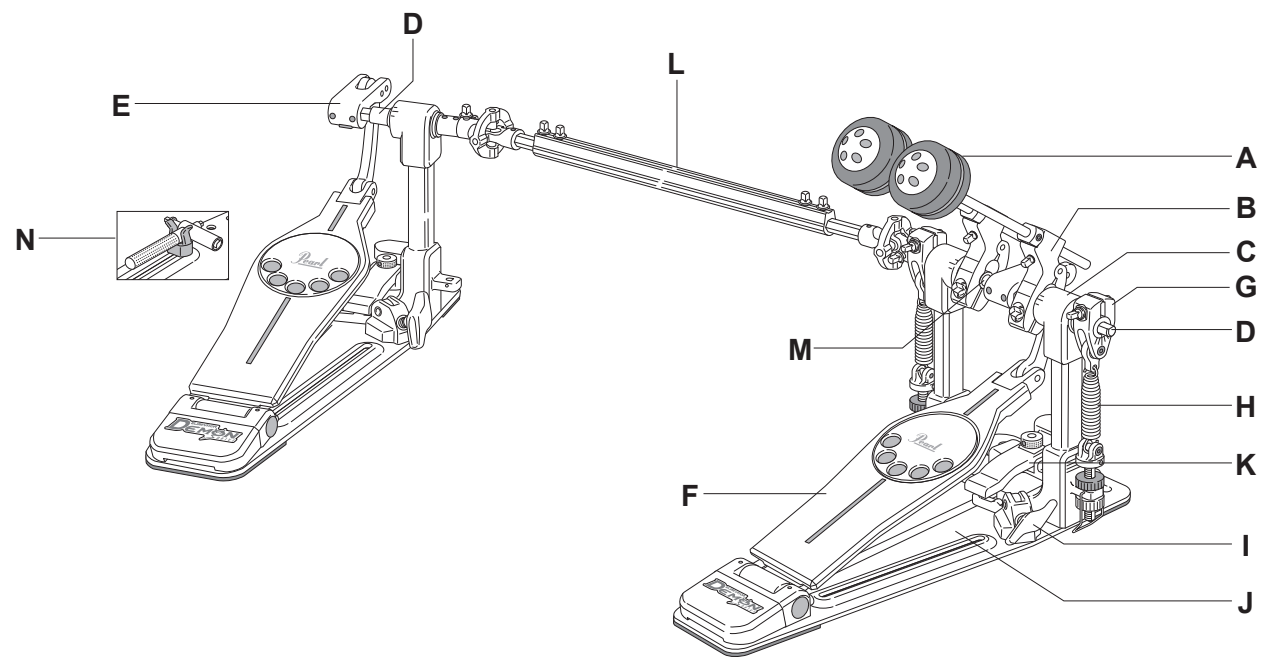
- A** **B-200QB** Quad Beater Complete
- 1 DC-394A Beater Setting Stopper Assy.
- 1-A SB-66 Allen Screw
- B** **DC-395NA** Beater Holder Link Complete
- 1 KB-814 Key Bolt
- 2 SB-66 Allen Screw (one each)
- C** **DC-515A** Pedal Frame w/Hoop Clamp
- 1 DC-517A Hoop Clamp Assy.
- 1-A ME-505A Adjustment Knob Assy.
- 1-B ME-507 Pivot Block
- 1-C SP-32 Spring
- 2 ASA-2000A Axle Support Arm Assy. Complete
- 2 DC-516 Axle Support Arm
- 2-B DC-314NA Axle Support Arm Spacer
- 2-C SC-222 Screw (one each)
- 3 SB-44 Allen Screw
- D** **LT-636** Anchor Screw w/Spring
- E** **ME-503A** Hexagonal Axle Assy.
- 1 ME-503B Hexagonal Axle w/Bearing
- 2 NU-07B Bearing
- 3 ME-393N Axle Sleeve w/Allen Screws
- F** **ME-502A** Hexagonal Axle Assy.
- 1 ME-502 Hexagonal Axle ONLY
- 2 WS-49 Washer
- 3 NU-07B Bearing (one each)
- 4 ME-506 Bearing Spacer
- 5 ME-393N Axle Sleeve w/Allen Screws
- G** **DC-509A** Aluminum Wheel Assy. Complete
- 1 SC-327H Flat-Head Screw
- 2 PR-546 Slider Bracket
- 3 NU-10 Hexagonal Nut
- 4 FE-40C Felt
- 5 SB-66 Allen Screw (one each)
- H** **Interchangeable Cam**
- 1 CAM-BK Black Cam
- 2 CAM-WT White Cam
- 3 CAM-BL Blue Cam
- 4 CAM-RD Red Cam
- I** **CCA-5** Double Chain Assy. Complete / P-2002C
- 1 DC-511AA Chain Connecting Bracket Assy. (Top)
- 1-A DC-511A Chain Connecting Bracket ONLY (Top)
- 1-B KB-508 Key Bolt (short)
- 1-C ME-244 Chain End Connector Assy.
- 2 DC-511BA Chain Connecting Bracket Assy. (Bottom)
- 2-A DC-511B Chain Connecting Bracket ONLY (Bottom)
- 2-B SC-357 Screw
- 2-C SC-284 Screw (one each)
- 2-D ME-244 Chain End Connector Assy.
- I'** **BCA-1** Belt Assy. Complete / P-2002B
- 1 KB-512 Key Bolt (long)
- 2 DC-510BA End Connector Assy. (Bottom)
- 2-A DC-510B End Connector ONLY
- 2-B SC-357 Screw
- 2-C SC-287 Screw (one each)
- J** **DC-396NA** Uni-Lock Beater Angle Cam Complete
- 1 KB-630A Bolt & Nut Set
- J'** **DC-396NAL** Uni-Lock Beater Angle Cam Complete (Left Side)
- 1 KB-630A Bolt & Nut Set
- K** **SPA-64AN** Spring Assy. Complete
- 1 SP-64F Spring (w/Felt) ONLY
- 2 ME-499 Adjustment Bolt
- 3 ME-500 Upper Nut
- 4 NP-407 Washers (pair)
- 5 WS-27 Lock Washer
- 6 ME-391 Lower Nut
- L** **FB-2000A** Footboard Assy. Complete
- 1 AL-24A Traction Plate Assy.
- 1-A SC-363L Mounting Screw (one each)
- 1-B NP-283N Traction Grip (one each)
- 2 DC-508A Toe Stopper Assy.
- 2-A KB-508 Key Bolt
- 3 SC-261 Screw (one each)
- 4 DC-398 Heel Position Adjust Nut
- 5 KB-608 Key Bolt
- 6 DC-512SN Footboard Assy. ONLY
- M** **PR-549A** Power Plate Assy. Complete (Right Side)
- 1 SC-325R Screw
- 2 SC-149 Screw (one each)
- 3 NP-284L Rubber Mat (Front)
- 4 NP-285 Rubber Mat (Heel)
- N** **DC-399W** Hoop Clamp Cam Assy. Complete
- 1 UGB-820C Die-Cast Wing Bolt
- 2 SC-191BN Screw (one each)
- N'** **DC-399S** Hoop Clamp Cam Assy. Complete
- 1 UGB-820C Die-Cast Wing Bolt
- 2 SC-191BN Screw (one each)
- O** **DS-200A** Drive Shaft Assy. Complete
- 1 SP-65A Drive Shaft Sleeve w/Key Bolts
- 1-A KB-608D Key Bolt (one each)
- 2 HS-200A Hexagonal Drive Shaft w/Key Bolts (one set)
- 2-A KB-508D Key Bolt (one each)
- P** **DC-513A** Pedal Frame w/Hoop Clamp
- 1 DC-514A Hoop Clamp Assy.
- 1-A ME-505A Adjustment Knob Assy.
- 1-B ME-507 Pivot Block
- 1-C SP-32 Spring
- Q** **ME-501A** Hexagonal Axle Assy.
- 1 ME-501 Hexagonal Axle ONLY
- 2 ME-393N Axle Sleeve w/Allen Screws
- 3 NU-07B Bearing (one each)
- 4 BSA-3 End Nut w/Washer
- R** **PR-548A** Power Plate Assy. Complete (Left Side)
- 1 SC-325R Screw
- 2 SC-149 Screw (one each)
- 3 NP-284S Rubber Mat (Front)
- 4 NP-285 Rubber Mat (Heel)

# DRUM PEDALS

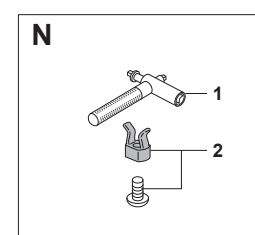
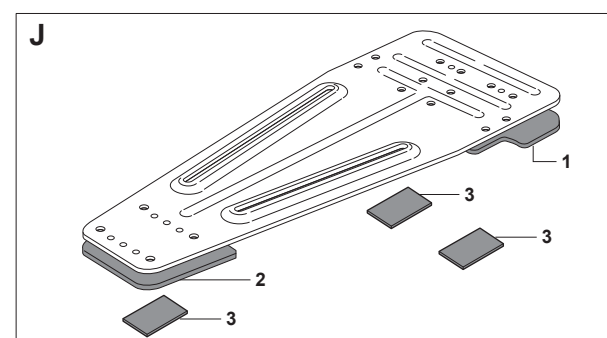
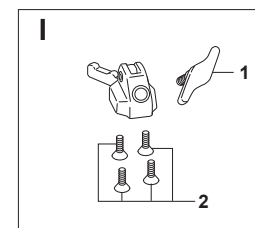
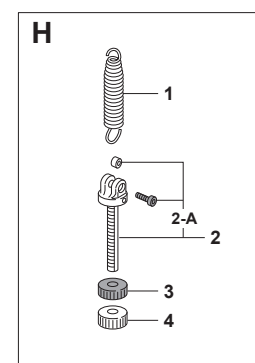
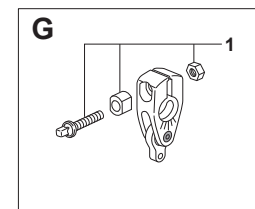
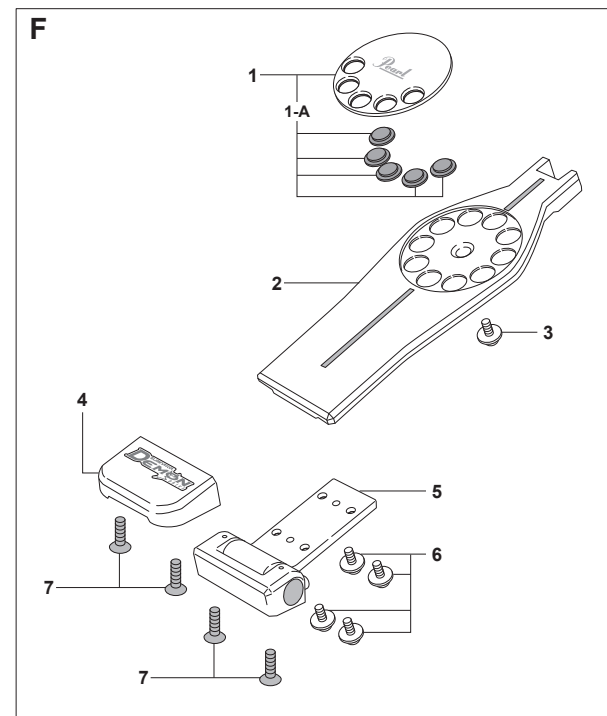
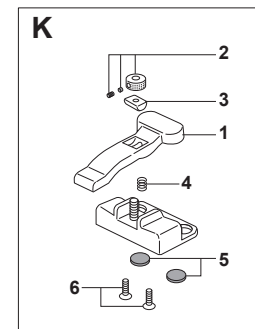
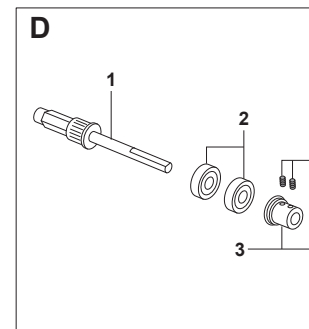
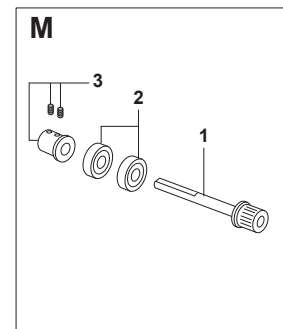
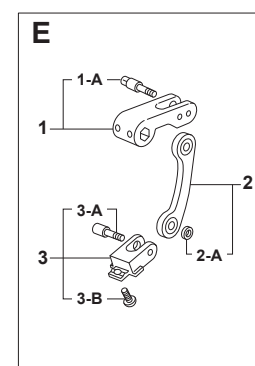
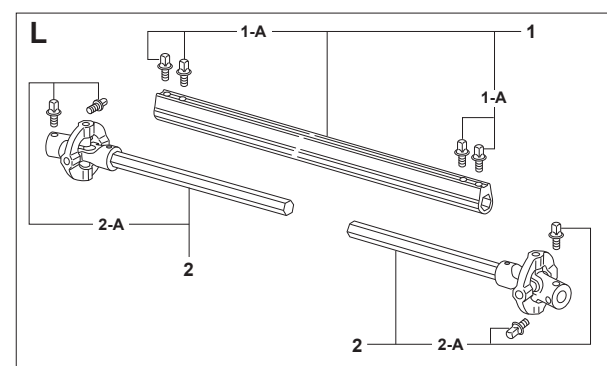
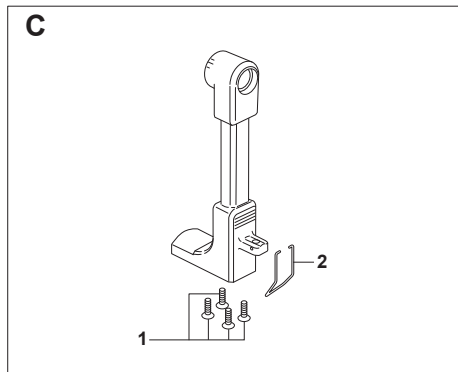
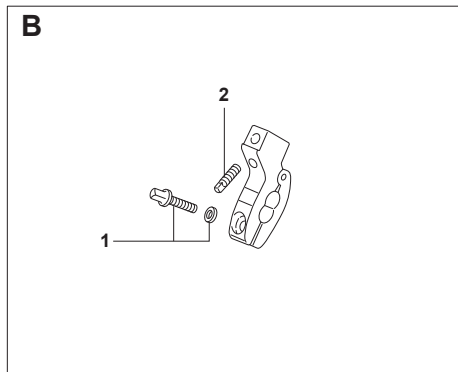
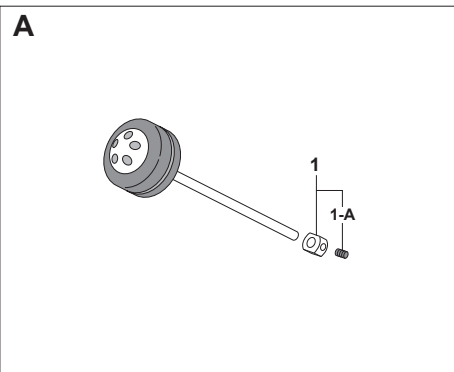
## P-3000D/ P-3002D



(P-3000D)



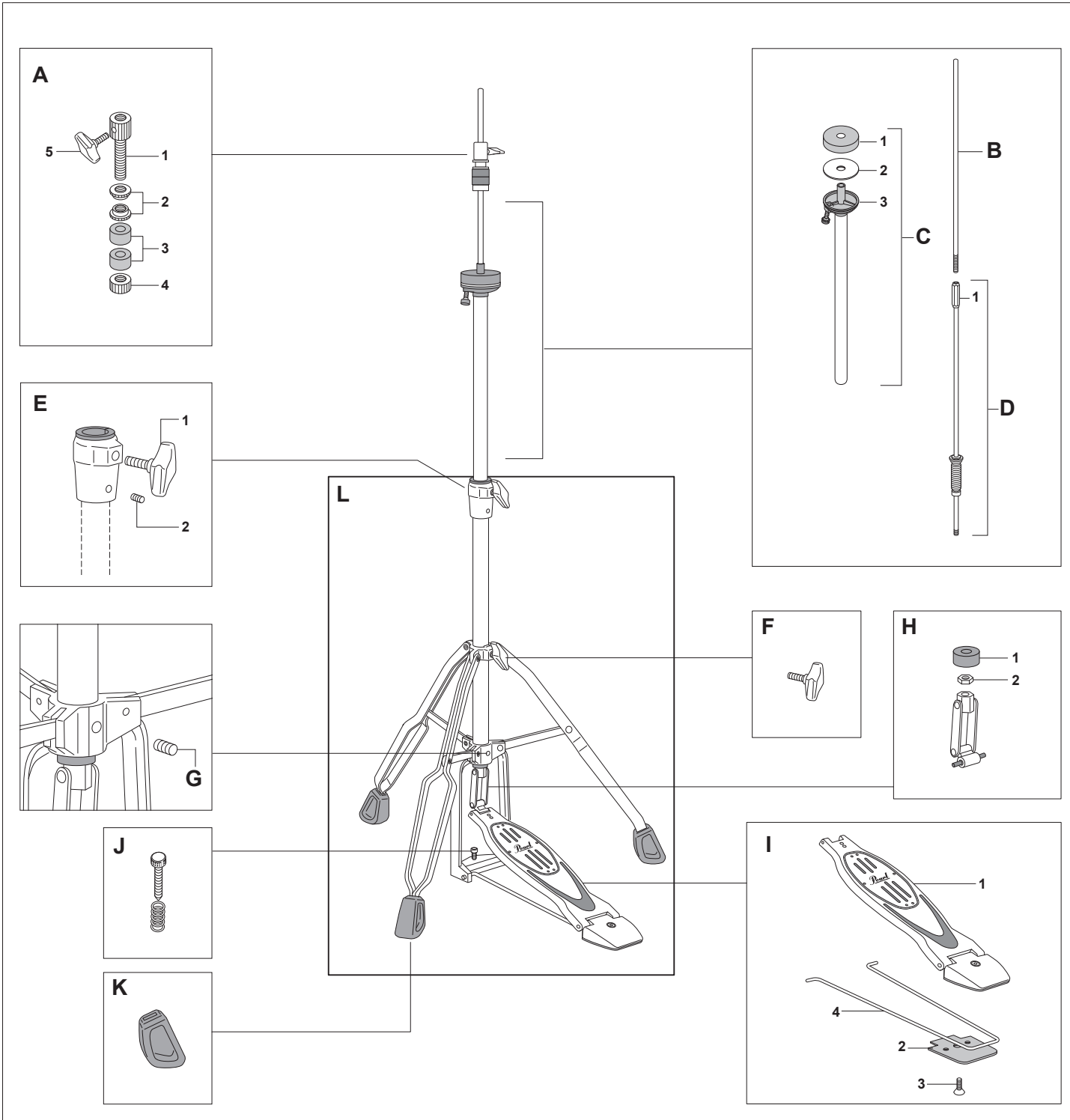
(P-3002D)



- A B-300F** Control Core Felt Beater
- B-300W** Control Core Wood Beater (Option)
- 1 ME-732A Beater Setting Stopper Assy.
- 1-A SB-65 Allen Screw
- B DC-717ULA** Beater Holder Link Complete
- 1 KB-623DW Key Bolt w/Washer
- 2 SC-415 Key Bolt
- C DC-716A** Pedal Post
- 1 SC-366SC Screw (one each)
- 2 SP-78 Click Lock Lever
- D SFT-DL** Hexagonal Axle Shaft Assy.
- 1 ME-738A Hexagonal Axle ONLY
- 2 NU-48 NiNJA Bearing (one each)
- 3 ME-741A Axle Sleeve w/Allen Screws
- E DRL-300A** Direct Link Assy. Complete
- 1 DC-715UA Direct Link Connecting Bracket Assy. (Top)
- 1-A ME-731UNN Key Bolt
- 2 DC-715LA Direct Link Connecting Bar
- 2-A ME-729 Spacer
- 3 DC-709A Direct Link Connecting Bracket Assy. (Bottom)
- 3-A ME-731L Bolt
- 3-B SC-357 Screw
- F FB-300A** Footboard Assy. Complete
- 1 DC-721A Traction Plate Assy.
- 1-A ME-728 Traction Grip (one each)
- 2 DC-722 Footboard ONLY
- 3 SC-421W Screw w/Washers
- 4 DC-720BA Heel Plate w/Logo Plate
- 5 DC-720FA Hinge Assy.
- 6 SC-421W Screw w/Washers (one each)
- 7 SC-418 Screw (one each)
- G DC-714A** Uni-Lock Footboard Angle Cam Complete
- 1 KB-630DA Bolt & Nut Set
- H SPA-64D** Spring Assy. Complete
- 1 SP-64NF Spring (w/Felt) ONLY
- 2 DC-724A Adjustment Bolt Assy.
- 2-A SC-259A Bolt & Collar Set
- 3 NP-470 Upper Nut
- 4 DC-723 Lower Nut
- I DC-399D** Hoop Clamp Lever Assy.
- 1 UGB-820C Die-Cast Wing Bolt
- 2 SC-367SC Flat-Head Screw (one each)
- J PR-672A** Bottom Plate
- 1 NP-467A Rubber Mat w/Adhesive Tape (Front)
- 2 NP-468A Rubber Mat w/Adhesive Tape (Heel)
- 3 NP-474 Velcro Tape (one each)
- K DC-719A** Hoop Clamp Assy.
- 1 DC-718A Hoop Clamp Bar w/Rubber Grip
- 2 ME-505A Adjustment Knob Assy.
- 3 ME-507 Pivot Block
- 4 SP-77 Spring
- 5 NP-464 Rubber Grip (one each)
- 6 SC-366SC Flat-Head Screw (one each)
- L DS-300A** Drive Shaft Assy. Complete
- 1 SP-65D Drive Shaft Sleeve w/Key Bolts
- 1-A KB-608D Key Bolt (one each)
- 2 SP-602CCA Hexagonal Drive Shaft w/Key Bolts (one set)
- 2-A KB-508D Key Bolt (one each)
- M SFT-DS** Axle Shaft Assy.
- 1 ME-739A Axle Shaft ONLY
- 2 NU-48 NiNJA Bearing (one each)
- 3 ME-741A Axle Sleeve w/Allen Screws
- N KMF-300A** Multi Function Drum Key Dock Assy.
- 1 KMF-300 Multi Function Drum Key ONLY
- 2 NP-469A Docking Assy.

# HI-HAT STANDS

## H-790

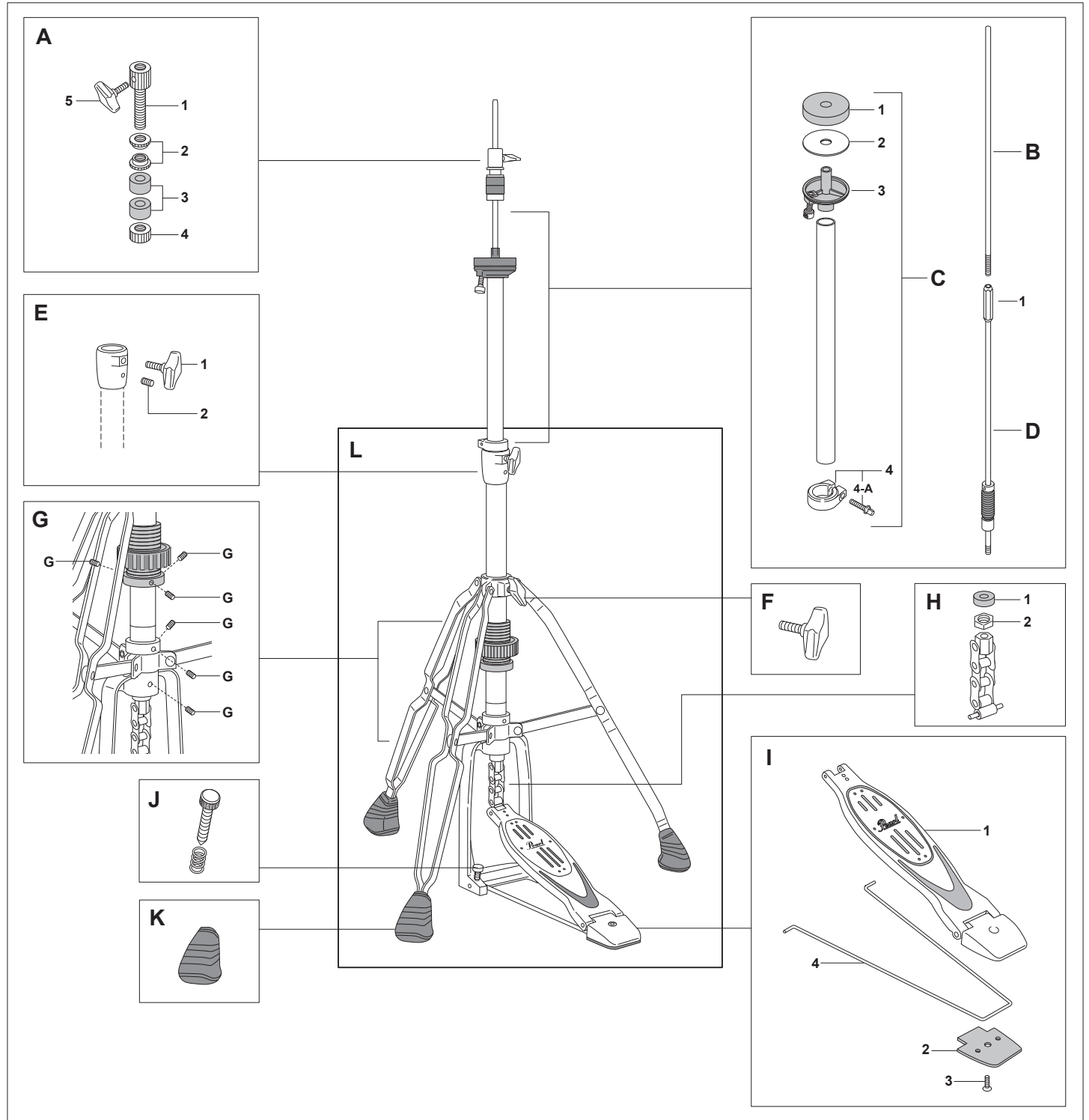


- A HCL-79 Hi-Hat Clutch Complete**  
 1 SM-11 Pipe Bolt  
 2 AM-1 Lock Nut (one each)  
 3 FE-10 Felt Washer (one each)  
 4 AM-2 Bottom Lock Nut  
 5 UGB-610 Die-Cast Wing Bolt
- B ME-145 Upper Pull Rod**
- C UT-H79 Upper Tube Assy. Complete**  
 1 FE-33 Felt Washer  
 2 PR-128 Steel Washer  
 3 HHC-79 Plastic Cup w/Tilter
- D LPR-79 Lower Pull Rod Complete**  
 1 ME-42N Pull Rod Connector ONLY
- E DJ-07A Die-Cast Joint Assy. Complete**  
 1 UGB-815A Die-Cast Wing Bolt  
 2 SB-44 Allen Screw

- F UGB-815A Die-Cast Wing Bolt**
- G SB-55 Allen Screw**
- H LC-79 Pull Rod Link Assy.**  
 1 NP-377 Rubber Washer  
 2 NU-19 Nut
- I FB-H90 Footboard Assy. Complete**  
 1 FB-90H Footboard ONLY  
 2 RRC-90 Radius Rod Cover  
 3 SC-258 Screw  
 4 ME-640 Radius Rod
- J LT-626 Anchor Screw w/Spring**
- K PL-34 Rubber Tip (one each)**
- L BA-H79 Base Assy. Complete**

# HI-HAT STANDS

## H-890



- A HCL-90 Hi-Hat Clutch Complete**  
 1 SM-11 Pipe Bolt  
 2 AM-1 Lock Nut (one each)  
 3 FL-95 Felt Washer (one each)  
 4 AM-2 Bottom Lock Nut  
 5 UGB-610 Die-Cast Wing Bolt
- B ME-145 Upper Pull Rod**
- C UT-H89 Upper Tube Assy. Complete**  
 1 FE-17 Felt Washer  
 2 PR-128 Steel Washer  
 3 HHC-90 Plastic Cup w/Tilter  
 4 SX-2NN Stop Lock Complete  
 4-A KB-625 Key Bolt

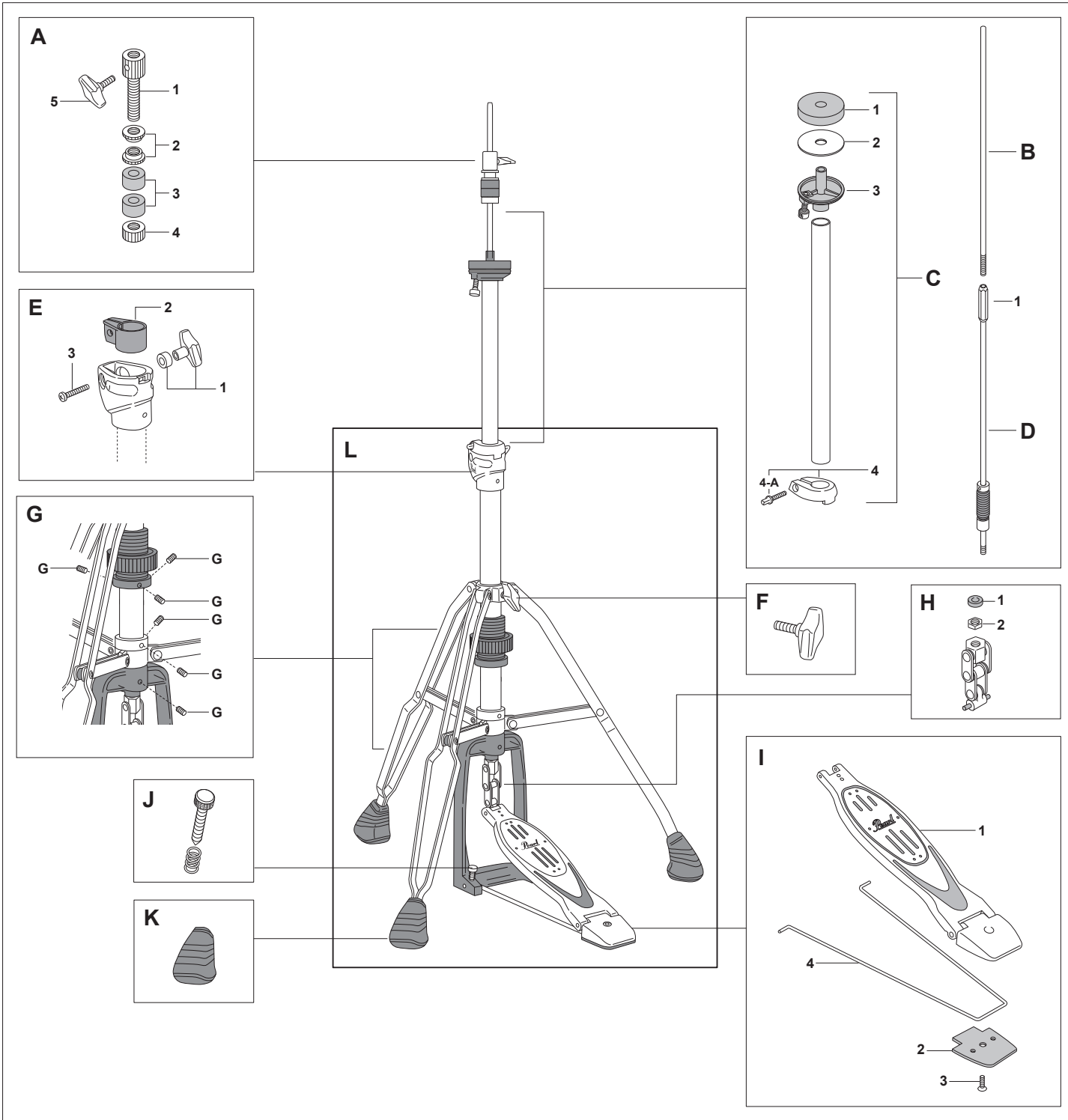
- D LPR-90 Lower Pull Rod Complete**  
 1 ME-123 Pull Rod Connector ONLY
- E DJ-75HA Die-Cast Joint Assy. Complete**  
 1 UGB-815 Die-Cast Wing Bolt  
 2 SB-44 Allen Screw
- F UGB-815 Die-Cast Wing Bolt**
- G SB-55 Allen Screw (one each)**
- H LC-89 Lower Connector Assy.**  
 1 NP-377 Rubber Washer  
 2 NU-19 Nut

- I FB-H90 Footboard Assy. Complete**  
 1 FB-90H Footboard ONLY  
 2 RRC-90 Radius Rod Cover  
 3 SC-258 Screw  
 4 ME-640 Radius Rod
- J LT-626 Anchor Screw w/Spring**
- K RB-8 Rubber Tip (one each)**
- L BA-H89 Base Assy. Complete**



# HI-HAT STANDS

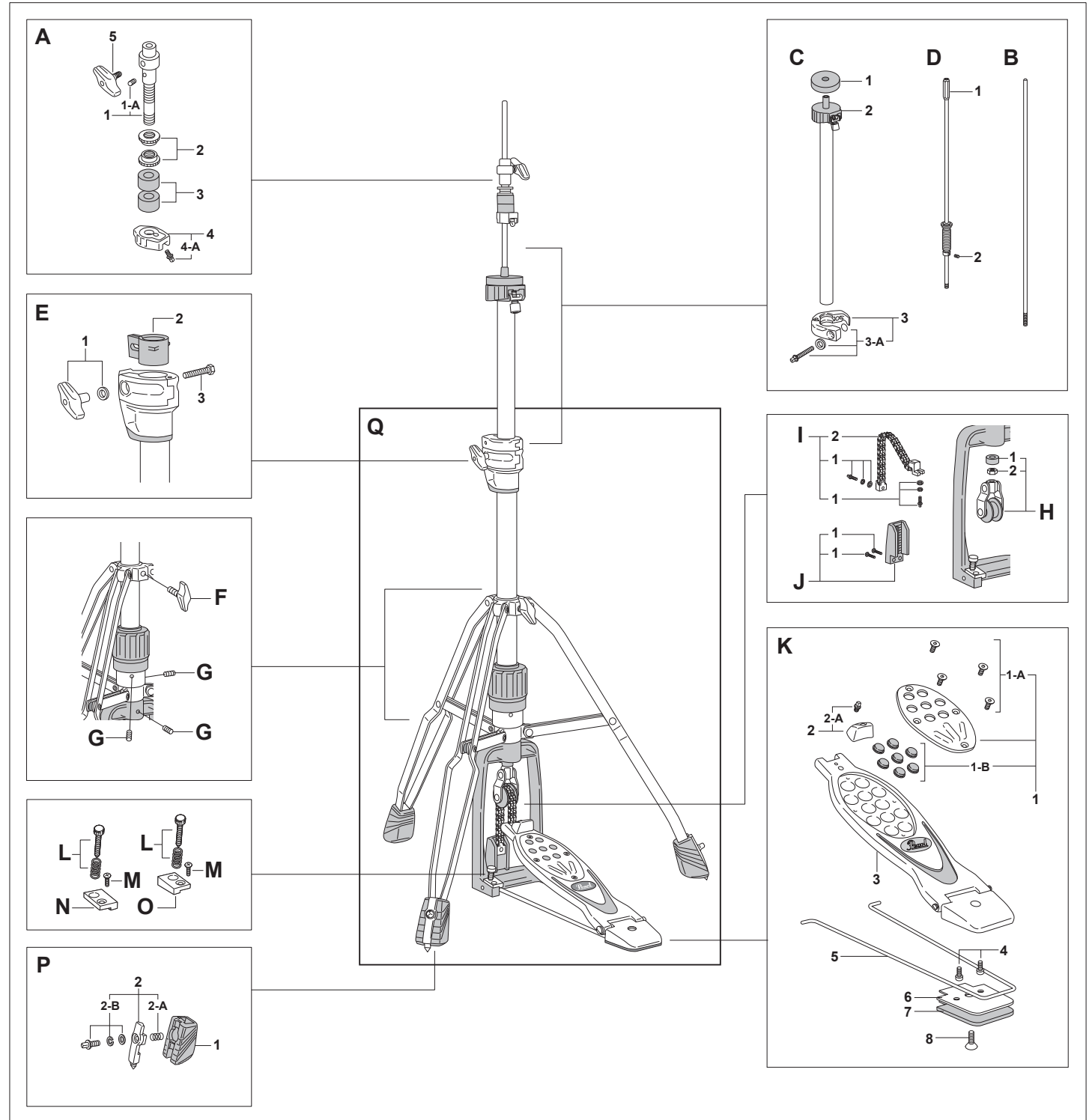
## H-900



<b>A</b>	<b>HCL-90</b>	<b>Hi-Hat Clutch Complete</b>	<b>D</b>	<b>LPR-90</b>	<b>Lower Pull Rod Complete</b>	<b>I</b>	<b>FB-H90</b>	<b>Footboard Assy. Complete</b>
1	SM-11	Pipe Bolt	1	ME-123	Pull Rod Connector ONLY	1	FB-90H	Footboard ONLY
2	AM-1	Lock Nut (one each)	<b>E</b>	<b>PJ-90L</b>	<b>Die-Cast Joint Assy. Complete</b>	2	RRC-90	Radius Rod Cover
3	FL-95	Felt Washer (one each)	1	UGN-6C	Die-Cast Wing Nut w/Collar	3	SC-258	Screw
4	AM-2	Bottom Lock Nut	2	PL-08	Nylon Bushing	4	ME-640	Radius Rod
5	UGB-610	Die-Cast Wing Bolt	3	SC-392	Clamp Bolt	<b>J</b>	<b>LT-626</b>	<b>Anchor Screw w/Spring</b>
			<b>F</b>	<b>UGB-815</b>	<b>Die-Cast Wing Bolt</b>	<b>K</b>	<b>RB-8</b>	<b>Rubber Tip (one each)</b>
			<b>G</b>	<b>SB-55</b>	<b>Allen Screw (one each)</b>	<b>L</b>	<b>BA-H90</b>	<b>Base Assy. Complete</b>
			<b>C</b>	<b>UT-H90</b>	<b>Upper Tube Assy. Complete</b>			
			1	FE-17	Felt Washer			
			2	PR-128	Steel Washer			
			3	HHC-90	Plastic Cup w/Tilter			
			4	ZD-24A	Stop Lock Complete			
4-A	KB-625	Key Bolt	2	NU-19	Nut			

# HI-HAT STANDS

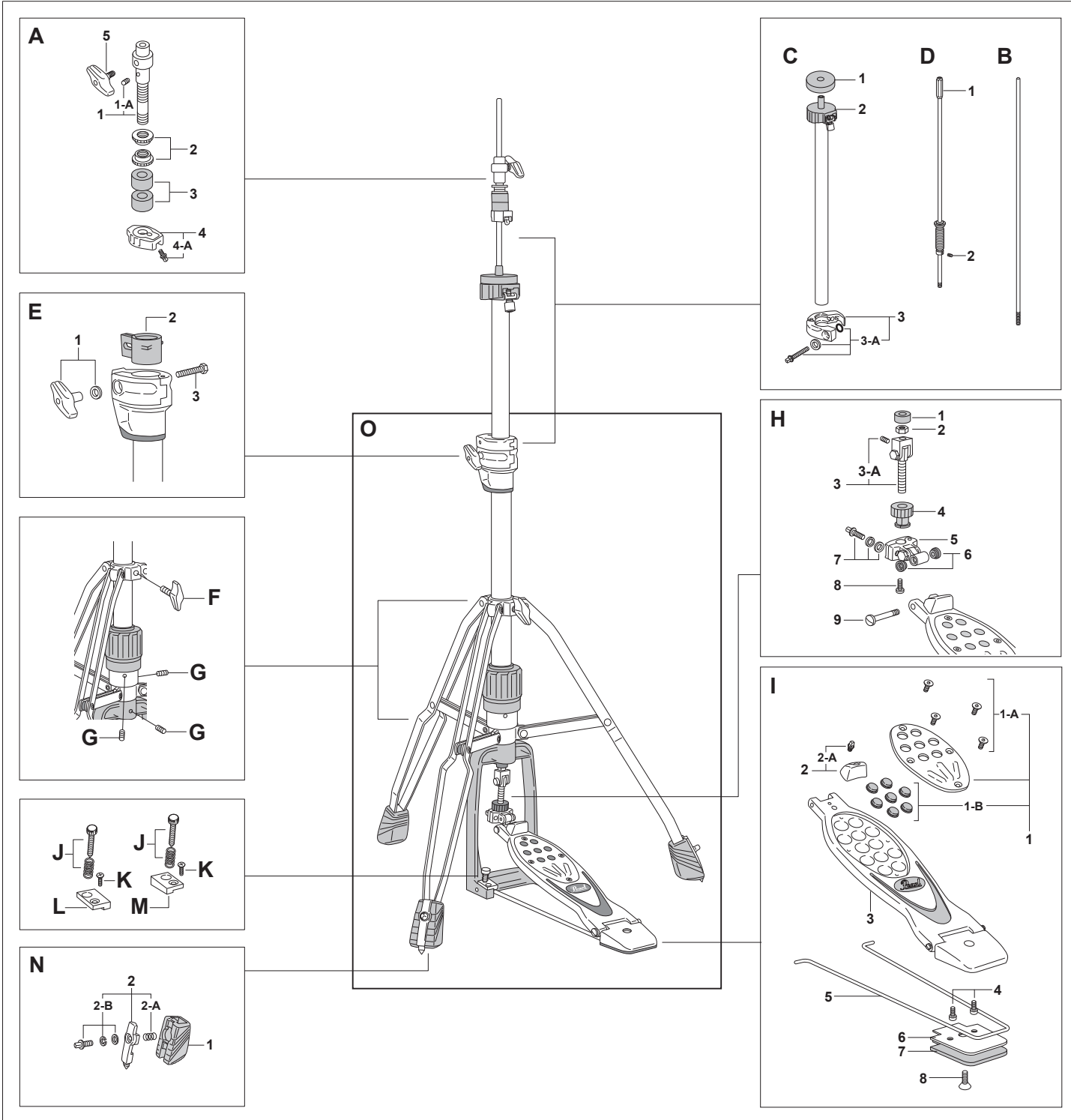
## H-1000K



<b>A</b>	<b>CL-300</b>	<b>Hi-Hat Clutch Complete</b>	<b>F</b>	<b>UGB-815</b>	<b>Die-Cast Wing Bolt</b>	<b>7</b>	NP-387	Rubber Mat
1	ME-573AC	Pipe Bolt	<b>G</b>	<b>SB-55</b>	<b>Allen Screw (one each)</b>	8	SC-258	Screw
1-A	SB-44	Allen Screw	<b>H</b>	<b>CHW-10K</b>	<b>Chain Wheel Assy. Complete</b>	<b>L</b>	<b>LT-636</b>	<b>Anchor Screw w/Spring</b>
2	CL-95N	Lock Nut (one each)	1	NP-377	Rubber Washer	<b>M</b>	<b>SC-39</b>	<b>Screw (one each)</b>
3	FL-95	Felt Washer (one each)	2	NU-19	Nut	<b>N</b>	<b>DC-557LF</b>	<b>Anchor Plate, Left</b>
4	DC-554A	Bottom Lock Nut Complete	<b>I</b>	<b>ME-649AC</b>	<b>Connecting Chain Assy. Complete</b>	<b>O</b>	<b>DC-557RF</b>	<b>Anchor Plate, Right</b>
4-A	KB-610	Key Bolt	1	KB-615W	Key Bolt w/Washers (one set)	<b>P</b>	<b>NP-427AC</b>	<b>Convertible Tip Assy. Complete</b>
5	UGB-610	Die-Cast Wing Bolt	2	ME-649A	Chain ONLY	1	NP-427	Rubber Tip ONLY
			<b>J</b>	<b>CBA-1K</b>	<b>Chain Connecting Base Assy. Complete</b>	2	DC-523A	Spike Assy. Complete
			1	S-520	Screw (one each)	2-A	SP-33	Spring
			<b>K</b>	<b>FB-1000K</b>	<b>Footboard Assy. Complete</b>	2-B	KB-625W	Key Bolt w/Washers
			1	AL-24SA	Traction Plate Assy.	<b>Q</b>	<b>H-100KBA</b>	<b>Base Assy. Complete</b>
			1-A	SC-363L	Mounting Screw (one each)			
			1-B	NP-283N	Traction Grip (one each)			
			2	DC-508A	Toe Stopper Assy.			
			2-A	KB-508	Key Bolt			
			3	DC-512SN	Footboard Assy. ONLY			
			4	SC-261	Screw (one each)			
			5	ME-641	Radius Rod			
			6	PR-447	Radius Rod Cover			
<b>E</b>	<b>DJ-800</b>	<b>Die-Cast Joint Assy. Complete</b>						
1	UGN-6	Die-Cast Wing Nut w/Washer						
2	NP-365	Nylon Bushing						
3	SC-169	Clamp Bolt						

# HI-HAT STANDS

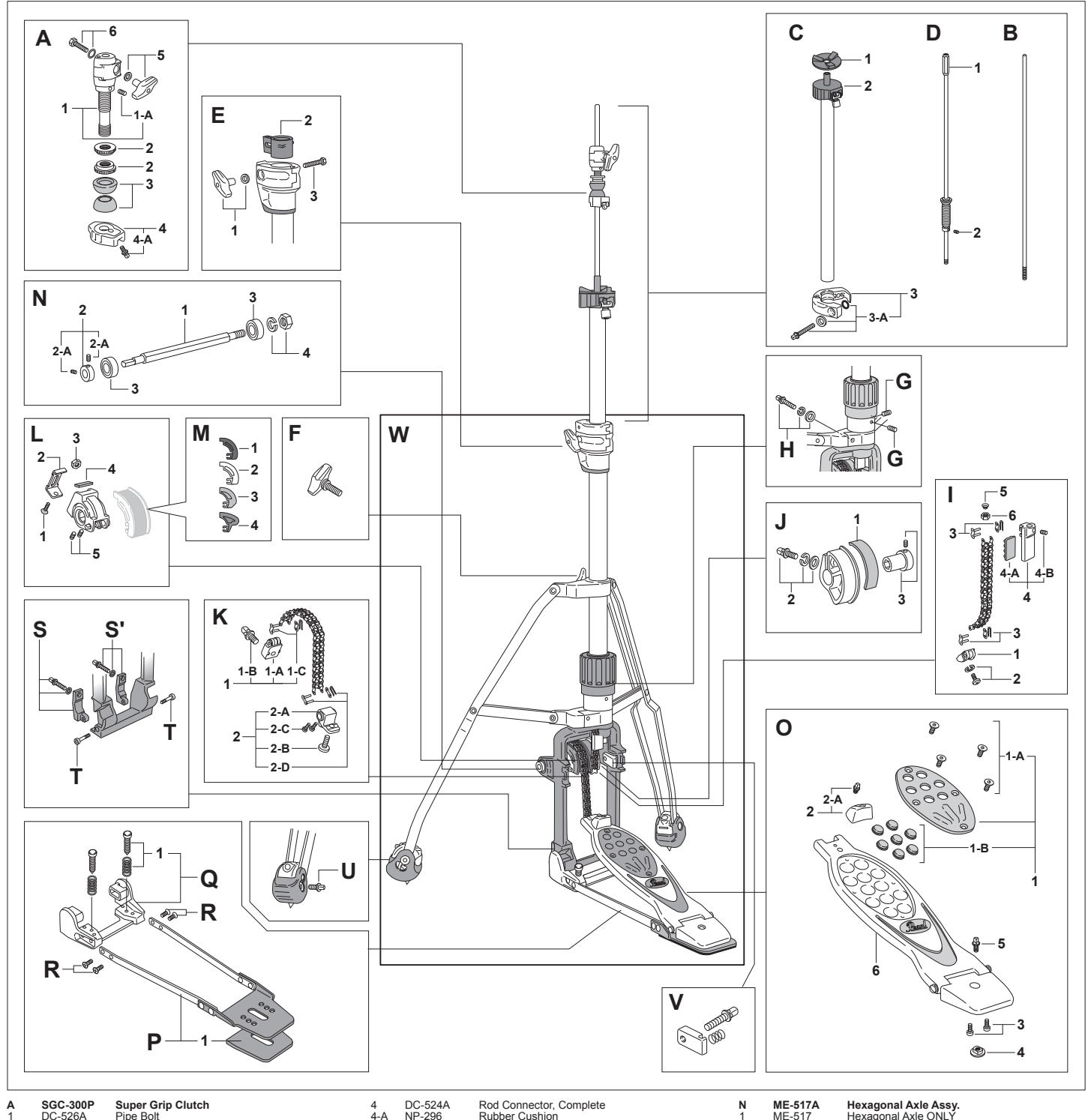
## H-1000



- |          |                |                                      |            |                 |                                 |            |              |                                       |
|----------|----------------|--------------------------------------|------------|-----------------|---------------------------------|------------|--------------|---------------------------------------|
| <b>A</b> | <b>CL-300</b>  | <b>Hi-Hat Clutch Complete</b>        | <b>F</b>   | <b>UGB-815</b>  | <b>Die-Cast Wing Bolt</b>       | <b>5</b>   | ME-640       | Radius Rod                            |
| 1        | ME-573AC       | Pipe Bolt                            | <b>G</b>   | <b>SB-55</b>    | <b>Allen Screw (one each)</b>   | <b>6</b>   | PR-447       | Radius Rod Cover                      |
| 1-A      | SB-44          | Allen Screw                          | <b>H</b>   | <b>FCA-100</b>  | <b>Pedal Link Complete</b>      | <b>7</b>   | NP-387       | Rubber Mat                            |
| 2        | CL-95N         | Lock Nut (one each)                  | <b>1</b>   | NP-377          | Rubber Washer                   | <b>8</b>   | SC-258       | Screw                                 |
| 3        | FL-95          | Felt Washer (one each)               | <b>2</b>   | NP-19           | Nut                             | <b>J</b>   | LT-636       | <b>Anchor Screw w/Spring</b>          |
| 4        | DC-554A        | Bottom Lock Nut Complete             | <b>3</b>   | ME-643AC        | Upper Link Assy.                | <b>K</b>   | SC-39        | <b>Screw (one each)</b>               |
| 4-A      | KB-610         | Key Bolt                             | <b>3-A</b> | SB-44           | Allen Screw                     | <b>L</b>   | DC-557LF     | <b>Anchor Plate, Left</b>             |
| 5        | UGB-610        | Die-Cast Wing Bolt                   | <b>4</b>   | NP-353          | Height Adjuster                 | <b>M</b>   | NP-427AC     | <b>Convertible Tip Assy. Complete</b> |
| <b>B</b> | <b>ME-145</b>  | <b>Upper Pull Rod</b>                | <b>5</b>   | DC-556AC        | Lower Link Assy.                | <b>1</b>   | NP-427       | Rubber Tip ONLY                       |
| <b>1</b> | <b>HUP-100</b> | <b>Upper Tube Assy. Complete</b>     | <b>6</b>   | NP-352          | Nylon Spacer (one each)         | <b>2</b>   | DC-523A      | Spike Assy. Complete                  |
| 1        | FE-17          | Felt Washer                          | <b>7</b>   | KB-615W         | Key Bolt w/Washers              | <b>2-A</b> | SP-33        | Spring                                |
| 2        | HHC-20         | Plastic Cup w/Tilter                 | <b>8</b>   | SC-351          | Screw                           | <b>2-B</b> | KB-625W      | Key Bolt w/Washers                    |
| 3        | DC-580A        | Stop Lock Complete                   | <b>9</b>   | ME-569          | Pivot Bolt                      | <b>O</b>   | <b>H-100</b> | <b>Base Assy. Complete</b>            |
| 3-A      | KB-625WO       | Key Bolt w/Washer & O-Ring           | <b>1</b>   | <b>FB-1000H</b> | <b>Footboard Assy. Complete</b> |            |              |                                       |
| <b>D</b> | <b>LS-200</b>  | <b>Lower Pull Rod Complete</b>       | <b>1</b>   | AL-24SA         | Traction Plate Assy.            |            |              |                                       |
| 1        | ME-123         | Pull Rod Connector ONLY              | <b>1-A</b> | SC-363L         | Mounting Screw (one each)       |            |              |                                       |
| 2        | SB-44          | Allen Screw                          | <b>1-B</b> | NP-283N         | Traction Grip (one each)        |            |              |                                       |
| <b>E</b> | <b>DJ-800</b>  | <b>Die-Cast Joint Assy. Complete</b> | <b>2</b>   | DC-508A         | Toe Stopper Assy.               |            |              |                                       |
| 1        | UGN-6          | Die-Cast Wing Nut w/Washer           | <b>2-A</b> | KB-508          | Key Bolt                        |            |              |                                       |
| 2        | NP-365         | Nylon Bushing                        | <b>3</b>   | DC-512SH        | Footboard Assy. ONLY            |            |              |                                       |
| 3        | SC-169         | Clamp Bolt                           | <b>4</b>   | SC-261          | Screw (one each)                |            |              |                                       |

# HI-HAT STANDS

## H-2000

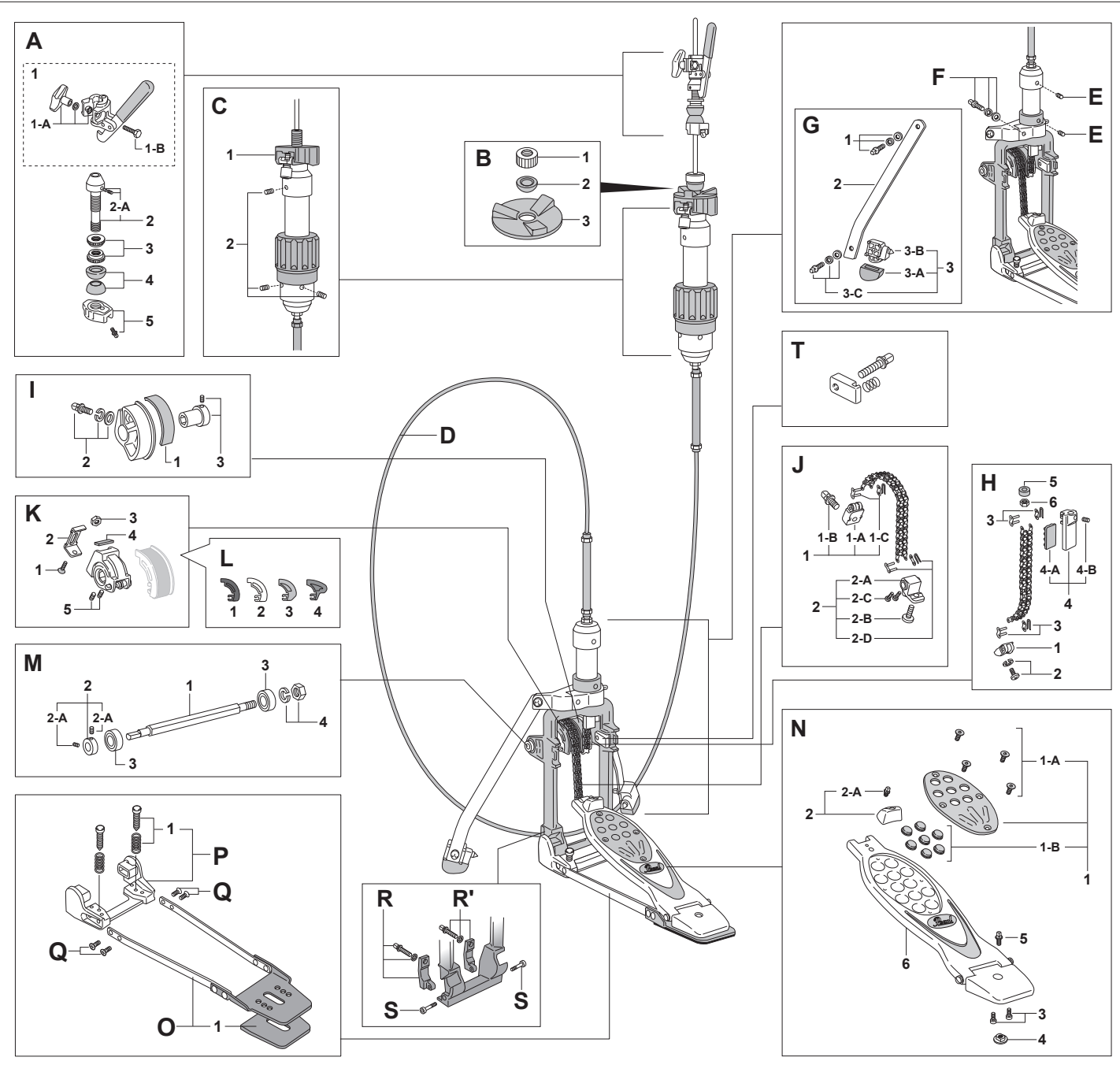


- |          |                 |   |          |                |   |           |                 |   |
|----------|-----------------|---|----------|----------------|---|-----------|-----------------|---|
| <b>A</b> | <b>SGC-300P</b> | <b>Super Grip Clutch</b>                    | <b>4</b> | DC-524A        | Rod Connector, Complete                 | <b>N</b>  | <b>ME-517A</b>  | <b>Hexagonal Axle Assy.</b>                           |
| 1        | DC-526A         | Pipe Bolt                                   | 4-A      | NP-296         | Rubber Cushion                          | 1         | ME-517          | Hexagonal Axle ONLY                                   |
| 1-A      | SB-44           | Allen Screw                                 | 4-B      | SB-44          | Allen Screw                             | 2         | ME-518A         | Axle Sleeve w/Allen Screws                            |
| 2        | CL-95N          | Lock Nut (one each)                         | 5        | SP-67          | Waggie Spring                           | 2-A       | SB-44           | Allen Screw (one each)                                |
| 3        | NP-210          | Rubber Washer (one each)                    | 6        | NU-19          | Nut                                     | 3         | NU-07B          | Bearing (one each)                                    |
| 4        | DC-554A         | Bottom Lock Nut Complete                    | <b>J</b> | <b>DC-525A</b> | <b>Aluminum Pull Cam Assy. Complete</b> | 4         | BSA-3           | End Nut/Washer  |
| 4-A      | KB-610          | Key Bolt                                    | 1        | FE-41          | Felt Strip                              | <b>O</b>  | <b>FB-2000A</b> | <b>Footboard Assy. Complete</b>                       |
| 5        | UGN-6           | Die-Cast Wing Nut w/Washer                  | 2        | KB-625W        | Key Bolt w/Washers                      | 1         | AL-24A          | Traction Plate Assy.                                  |
| 6        | SC-168R         | Clamp Bolt w/Nylon Washer                   | 3        | ME-519A        | Drive Shaft Sleeve w/Allen Screw        | 1-A       | SC-363L         | Mounting Screw (one each)                             |
| <b>B</b> | <b>ME-145S</b>  | <b>Upper Pull Rod</b>                       | <b>K</b> | <b>CCA-SH</b>  | <b>Double Chain Assy. Complete</b>      | 1-B       | NP-283N         | Traction Grip (one each)                              |
| <b>1</b> | <b>HUP-200</b>  | <b>Upper Tube Assy. Complete</b>            | 1        | DC-511AA       | Chain Connecting Bracket Assy. (Top)    | 2-A       | DC-508A         | Toe Stopper Assy.                                     |
| 1        | NP-208          | Rubber Cup Washer                           | 1-A      | DC-511A        | Chain Connecting Bracket ONLY (Top)     | 3         | KB-508          | Key Bolt  |
| 2        | HHC-20          | Plastic Cup w/Tilter                        | 1-B      | KB-508         | Key Bolt                                | 4         | SC-261          | Screw (one each)                                      |
| 3        | DC-580A         | Stop Lock Complete                          | 1-C      | ME-244         | Chain End Connector Assy.               | 5         | DC-398          | Heel Position Adjust Nut                              |
| 3-A      | KB-625WO        | Key Bolt w/Washer & O-Ring                  | 2        | DC-511BA       | Chain Connecting Bracket Assy. (Bottom) | 6         | KB-608          | Key Bolt  |
| <b>D</b> | <b>LS-200</b>   | <b>Lower Pull Rod Complete</b>              | 2-A      | DC-511B        | Chain Connecting Bracket ONLY (Bottom)  | <b>P</b>  | DC-512SN        | Footboard Assy. ONLY                                  |
| 1        | ME-123          | Pull Rod Connector ONLY                     | 2-B      | SC-322S        | Screw                                   | <b>1</b>  | <b>PR-660F</b>  | <b>Pedal Frame Assy. Complete</b>                     |
| 2        | SB-44           | Allen Screw                                 | 2-C      | SC-284         | Screw (one each)                        | <b>P</b>  | NP-285          | Rubber Mat  |
| <b>E</b> | <b>DJ-800</b>   | <b>Die-Cast Joint Assy. Complete</b>        | 2-D      | ME-244         | Chain End Connector Assy.               | <b>Q</b>  | <b>DC-701LA</b> | <b>Frame Sleeve w/Screw</b>                           |
| 1        | UGN-6           | Die-Cast Wing Nut w/Washer                  | <b>L</b> | <b>DC-509A</b> | <b>Aluminum Wheel Assy. Complete</b>    | 1         | LT-626          | Anchor Screw w/Spring                                 |
| 2        | NP-365          | Nylon Bushing                               | 1        | SC-327H        | Flat-Head Screw                         | <b>R</b>  | <b>SC-39</b>    | <b>Screw (one each)</b>                               |
| 3        | SC-169          | Clamp Bolt                                  | 2        | PR-546         | Slider Bracket                          | <b>S</b>  | <b>DC-700LA</b> | <b>Receiver Clamp w/Key Bolt &amp; Washer - Left</b>  |
| <b>F</b> | <b>UGB-815</b>  | <b>Die-Cast Wing Bolt</b>                   | 2        | NU-10          | Hexagonal Nut                           | <b>S'</b> | <b>DC-700RA</b> | <b>Receiver Clamp w/Key Bolt &amp; Washer - Right</b> |
| <b>G</b> | <b>SB-55</b>    | <b>Allen Screw (one each)</b>               | 4        | FE-40C         | Felt                                    | <b>T</b>  | <b>ME-712</b>   | <b>Pivot Screw</b>                                    |
| <b>H</b> | <b>KB-625W</b>  | <b>Key Bolt w/Washers</b>                   | 5        | SB-66          | Allen Screw (one each)                  | <b>U</b>  | <b>KB-625</b>   | <b>Key Bolt</b>                                       |
| <b>I</b> | <b>CCA-6H</b>   | <b>Chain Assy. Complete (pull cam side)</b> | <b>M</b> |                | <b>Interchangeable Cam</b>              | <b>V</b>  | <b>DC-699A</b>  | <b>Docking Station Clamp w/Key Bolt &amp; Spring</b>  |
| 1        | DC-400          | Chain Connector                             | 1        | CAM-BK         | Black Cam                               | <b>W</b>  | <b>H-207BA</b>  | <b>Base Assy. Complete</b>                            |
| 2        | SC-94W          | Screw w/Washer                              | 2        | CAM-WT         | White Cam                               |           |                 |   |
| 3        | ME-244          | Chain End Connector Assy. (one each)        | 3        | CAM-BL         | Blue Cam                                |           |                 |   |
|          |                 |   | 4        | CAM-RD         | Red Cam                                 |           |                 |   |



# REMOTE HI-HAT

## RH-2000



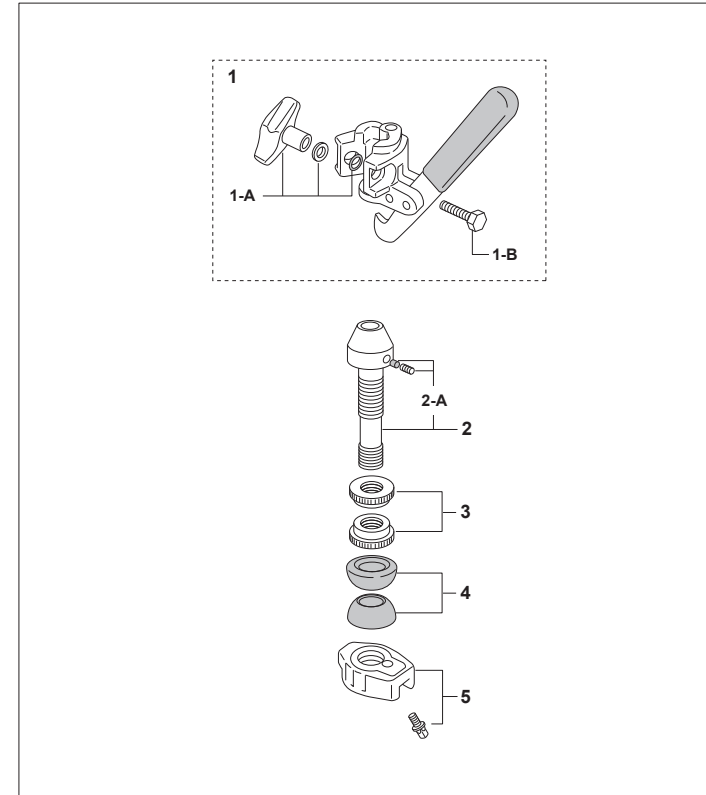
- A DCL-300P** Drop Clutch
- 1 DCL-300T Drop Clutch Head Assy.
- 1-A UGN-6WO Die-Cast Wing Nut w/Washer & O-Ring
- 1-B SC-168 Clamp Bolt
- 2 ME-642A Drop Clutch Bolt
- 2-A SB-55S Allen Screw w/Spacer
- 3 ME-137 Lock Nut (one each)
- 4 NP-210 Rubber Washer (one each)
- 5 DC-554A Bottom Lock Nut Complete
- B CYS-200AA** Cymbal Seat Assy.
- 1 ME-188 Lock Nut
- 2 NP-210 Rubber Washer
- 3 NP-208 Rubber Cup Washer
- C HUP-200R** Upper Tube Assy. Complete
- 1 HHC-20R Plastic Cup w/Filter
- 2 SB-55 Allen Screw (one each)
- D CAU-2000** Cable Unit Complete, w/Nuts & Washers
- E SB-55** Allen Screw (one each)
- F KB-625W** Key Bolt w/Washers
- G PR-571A** Leg Assy. Complete
- 1 KB-625W Key Bolt w/Washers
- 2 PR-571 Leg ONLY
- 3 CT-88A Convertible Tip Assy. Complete
- 3-A R-88 Rubber Tip (one each)
- 3-B AN-88 Spike
- 3-C KB-615W Key Bolt w/Washers

- H CCA-6H** Chain Assy. Complete (pull cam side)
- 1 DC-400 Chain Connector
- 2 SC-94W Screw w/Washer
- 3 ME-244 Chain End Connector Assy. (one each)
- 4 DC-524A Rod Connector, Complete
- 4-A NP-296 Rubber Cushion
- 4-B SB-44 Allen Screw
- 5 FE-42 Felt Washer
- 6 NU-19 Nut
- I DC-525A** Aluminum Pull Cam Assy. Complete
- 1 FE-41 Felt Strip
- 2 KB-625W Key Bolt w/Washers
- 3 ME-519A Drive Shaft Sleeve w/Allen Screw
- J CCA-5H** Double Chain Assy. Complete
- 1 DC-511AA Chain Connecting Bracket Assy. (Top)
- 1-A DC-511A Chain Connecting Bracket ONLY (Top)
- 1-B KB-508 Key Bolt
- 1-C ME-244 Chain End Connector Assy.
- 2 DC-511BA Chain Connecting Bracket Assy. (Bottom)
- 2-A DC-511B Chain Connecting Bracket ONLY (Bottom)
- 2-B SC-322S Screw
- 2-C SC-284 Screw (one each)
- 2-D ME-244 Chain End Connector Assy.
- K DC-509A** Aluminum Wheel Assy. Complete
- 1 SC-327H Flat-Head Screw
- 2 PR-546 Slider Bracket
- 3 NU-10 Hexagonal Nut
- 4 FE-40C Felt
- 5 SB-66 Allen Screw (one each)

- L** Interchangeable Cam
- 1 CAM-BK Black Cam
- 2 CAM-WT White Cam
- 3 CAM-BL Blue Cam
- 4 CAM-RD Red Cam
- M ME-517A** Hexagonal Axle Assy.
- 1 ME-517 Hexagonal Axle ONLY
- 2 ME-518A Axle Sleeve w/Allen Screws
- 2-A SB-44 Allen Screw (one each)
- 3 NU-07B Bearing (one each)
- 4 BSA-3 End Nut w/Washer
- N FB-2000A** Footboard Assy. Complete
- 1 AL-24A Traction Plate Assy.
- 1-A SC-363L Mounting Screw (one each)
- 1-B NP-283N Traction Grip (one each)
- 2 DC-508A Toe Stopper Assy.
- 2-A KB-508 Key Bolt
- 3 SC-261 Screw (one each)
- 4 DC-398 Heel Position Adjust Nut
- 5 KB-608 Key Bolt
- 6 DC-512SN Footboard Assy. ONLY
- O PR-660F** Pedal Frame Assy. Complete
- 1 NP-285 Rubber Mat
- P DC-701LA** Frame Sleeve w/Screw
- 1 LT-626 Anchor Screw w/Spring
- Q SC-39** Screw (one each)
- R DC-700LA** Receiver Clamp w/Key Bolt & Washer - Left
- R' DC-700RA** Receiver Clamp w/Key Bolt & Washer - Right
- S ME-712** Pivot Screw
- T DC-699A** Docking Station Clamp w/Key Bolt & Spring

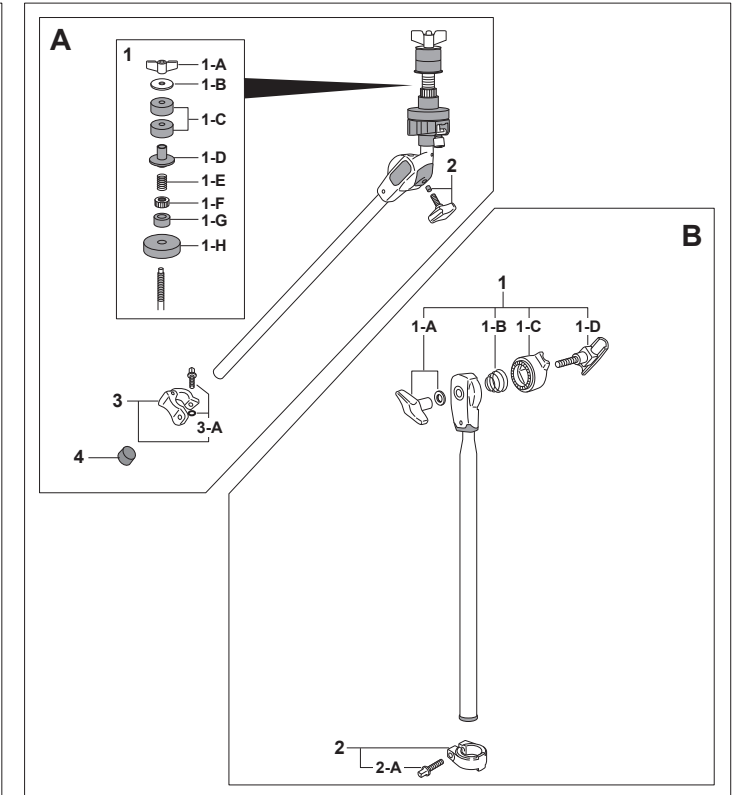
# HI-HAT ACCESSORIES

## DCL-300P Drop Clutch



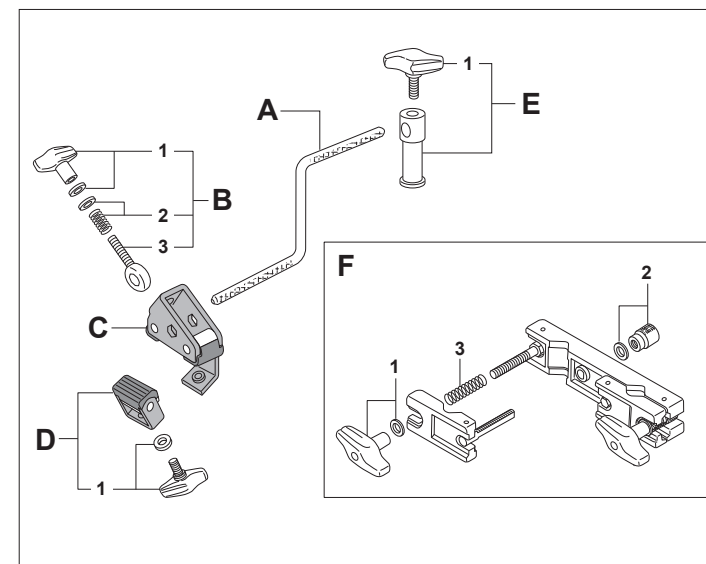
- 1 DCL-300T Drop Clutch Head Assy.
- 1-A UGN-6WO Die-Cast Wing Nut w/Washer & O-Ring
- 1-B SC-168 Clamp Bolt
- 2 ME-642A Drop Clutch Bolt
- 2-A SB-55S Allen Screw w/Spacer
- 3 ME-137 Lock Nut (one each)
- 4 NP-210 Rubber Washer (one each)
- 5 DC-554A Bottom Lock Nut Complete

## CLH-1000



- A CLH-1000U** Upper Section Assy. Complete
- 1 TLH-1000A Top Section Assy.
- 1-A M-8W Die-Cast Wing Nut
- 1-B WS-57 Steel Washer
- 1-C FL-95A Felt Washer (one each)
- 1-D NP-123 Plastic Sleeve
- 1-E SP-41 Spring
- 1-F ME-188 Lock Nut
- 1-G FE-15T Felt Washer
- 1-H FE-17 Felt Washer
- 2 UGB-815P Die-Cast Wing Bolt w/Pin
- 3 DC-625A Stop Lock Complete
- 3-A KB-815WO Key Bolt w/O-Ring
- 4 NP-71 Plastic Tip
- B TU-200A** Tube Assy. Complete
- 1 BC-100A Boom Clamp Assy. Complete
- 1-A UGN-8L Die-Cast Wing Nut w/Washer
- 1-B SP-27N Spring
- 1-C DC-594 Clamp Gear Link
- 1-D DC-596A Boom Clamp Bolt
- 2 SX-2N Stop Lock Complete
- 2-A KB-625 Key Bolt

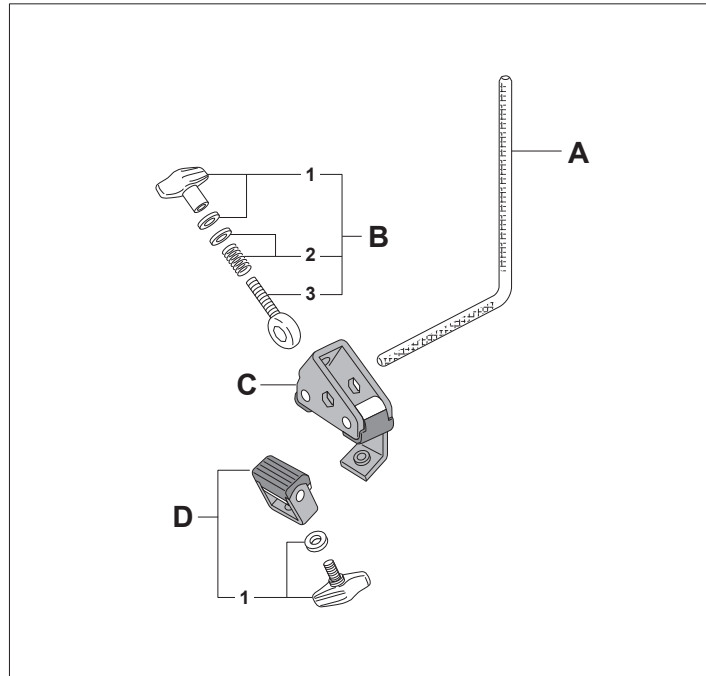
## HA-100 Hi-Hat Attachment



- A ME-534N** Crank Rod
- B SC-271A** Eye Bolt Assy. Complete
- 1 UGN-8 Die-Cast Wing Nut w/Washer
- 2 SP-20SW Spring w/Washer
- 3 SC-271 Eye Bolt ONLY
- C PR-570A** Hoop Mount Holder Assy.
- D PR-569A** Hoop Clamp Assy.
- 1 UGB-825W Die-Cast Wing Bolt w/Washer
- E ME-536A** Crank Rod Bracket
- 1 UGB-815 Die-Cast Wing Bolt
- F AX-20** Adapter
- 1 UGN-8 Die-Cast Wing Nut w/Washer
- 2 M-8RN Knurled Round Nut w/Washer
- 3 SP-26 Spring

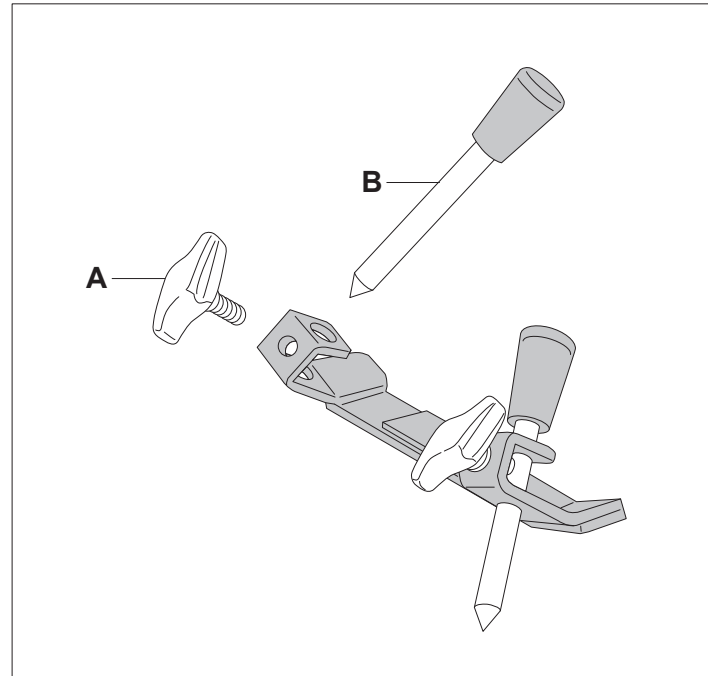
# ACCESSORIES

## CA-100 Cowbell Holder



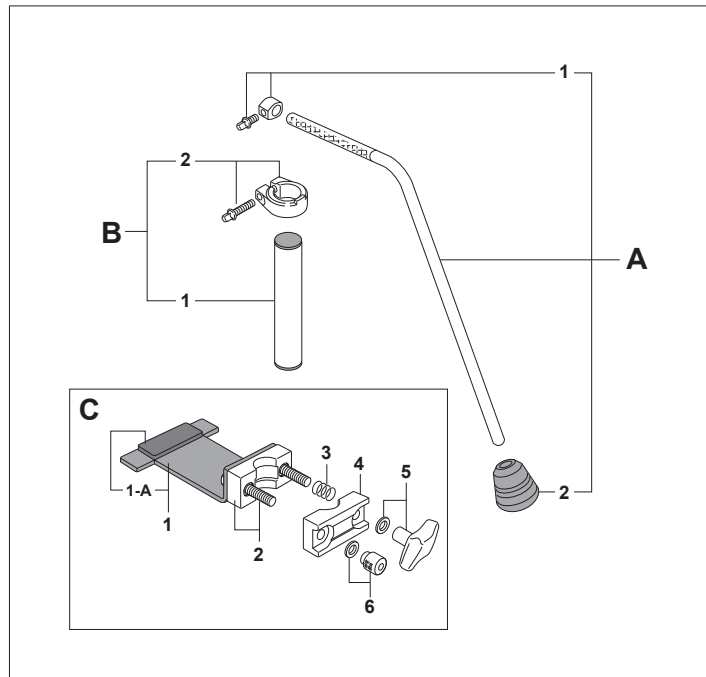
- A ME-535 L Rod**  
**B SC-271A Eye Bolt Assy. Complete**  
 1 UGN-8 Die-Cast Wing Nut w/Washer  
 2 SP-20SW Spring w/Washer  
 3 SC-271 Eye Bolt ONLY  
**C PR-570A Hoop Mount Holder Assy.**  
**D PR-569A Hoop Clamp Assy.**  
 1 UGB-825W Die-Cast Wing Bolt w/Washer

## PS-85 Stabilizer



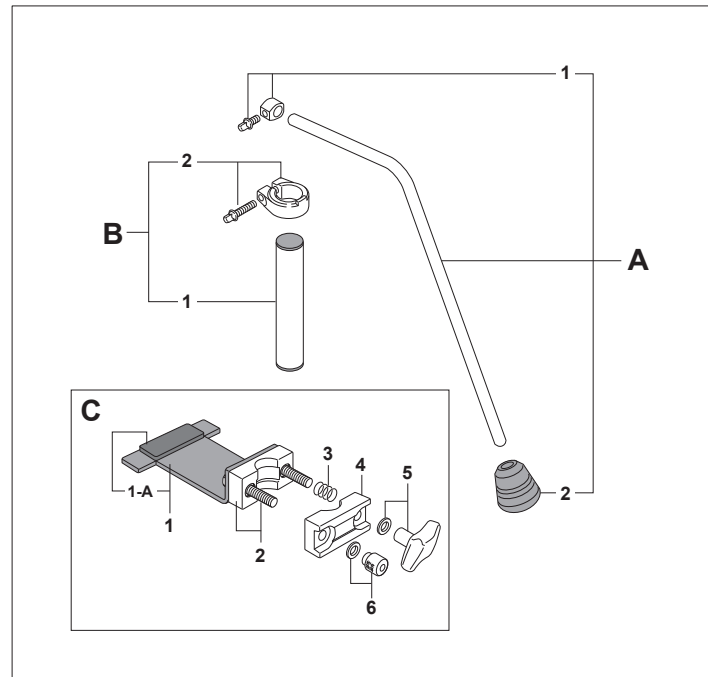
- A UGB-815 Die-Cast Wing Bolt (one each)**  
**B ME-209A Spike w/Rubber Tip (one each)**

## JG-16 Jungle Gig Adapter



- A ME-508A Leg Assy. Complete**  
 1 LG-04S Stop Lock Complete  
 2 R-5 Rubber Tip (one each)  
**B PP-182A Pipe Assy. Complete**  
 1 PP-182 Pipe w/Plastic Caps  
 2 SX-2N Stop Lock Complete  
**C PR-551AC Pedal Plate Assy. Complete**  
 1 PR-551A Pedal Plate ONLY  
 1-A NP-140 Rubber Protector  
 2 DC-365A Pipe Bracket w/Bolts  
 3 SP-45S Spring  
 4 DC-366 Die-Cast Link  
 5 UGN-8 Die-Cast Wing Nut w/Washer  
 6 M-8RN Knurled Round Nut w/Washer

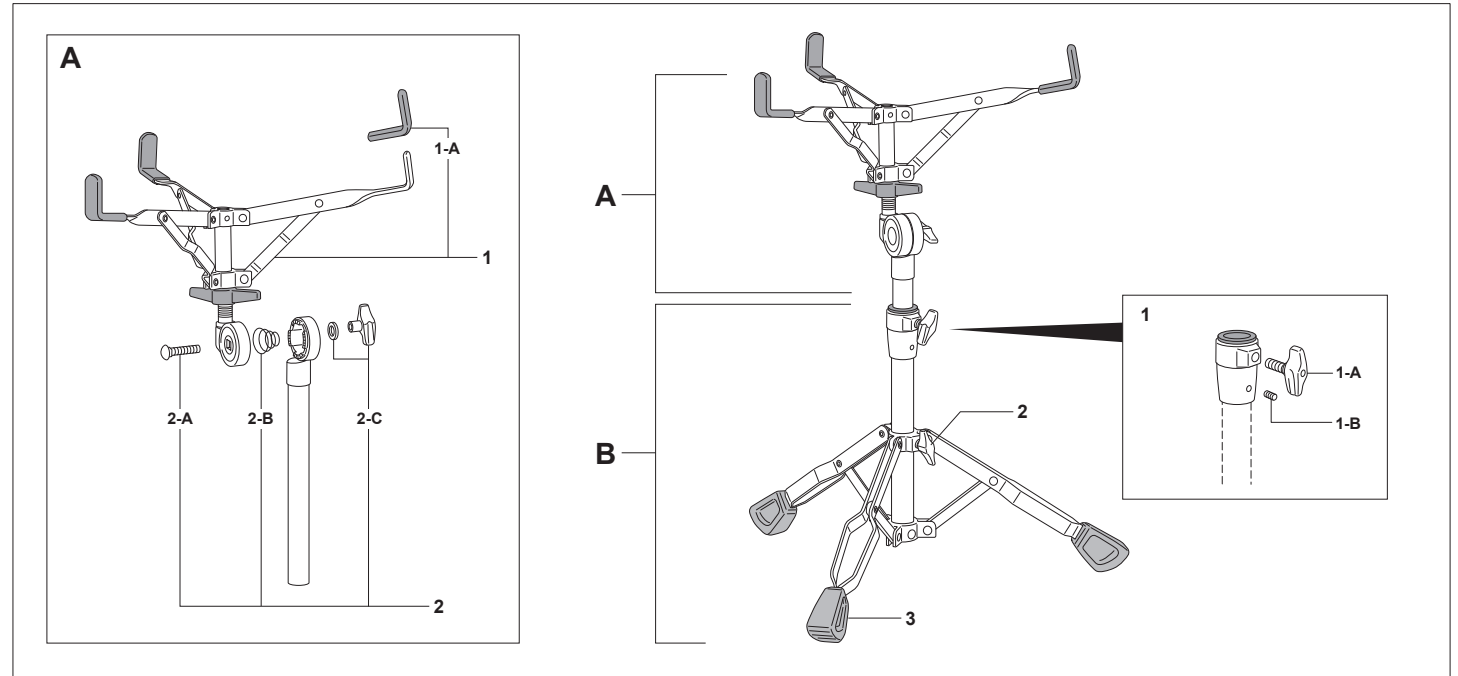
## JG-16NK Jungle Gig Adapter



- A ME-723A Leg Assy. Complete**  
 1 LG-02NS Stop Lock Complete  
 2 R-5 Rubber Tip (one each)  
**B PP-182A Pipe Assy. Complete**  
 1 PP-182 Pipe w/Plastic Caps  
 2 SX-2N Stop Lock Complete  
**C PR-551AC Pedal Plate Assy. Complete**  
 1 PR-551A Pedal Plate ONLY  
 1-A NP-140 Rubber Protector  
 2 DC-365A Pipe Bracket w/Bolts  
 3 SP-45S Spring  
 4 DC-366 Die-Cast Link  
 5 UGN-8 Die-Cast Wing Nut w/Washer  
 6 M-8RN Knurled Round Nut w/Washer

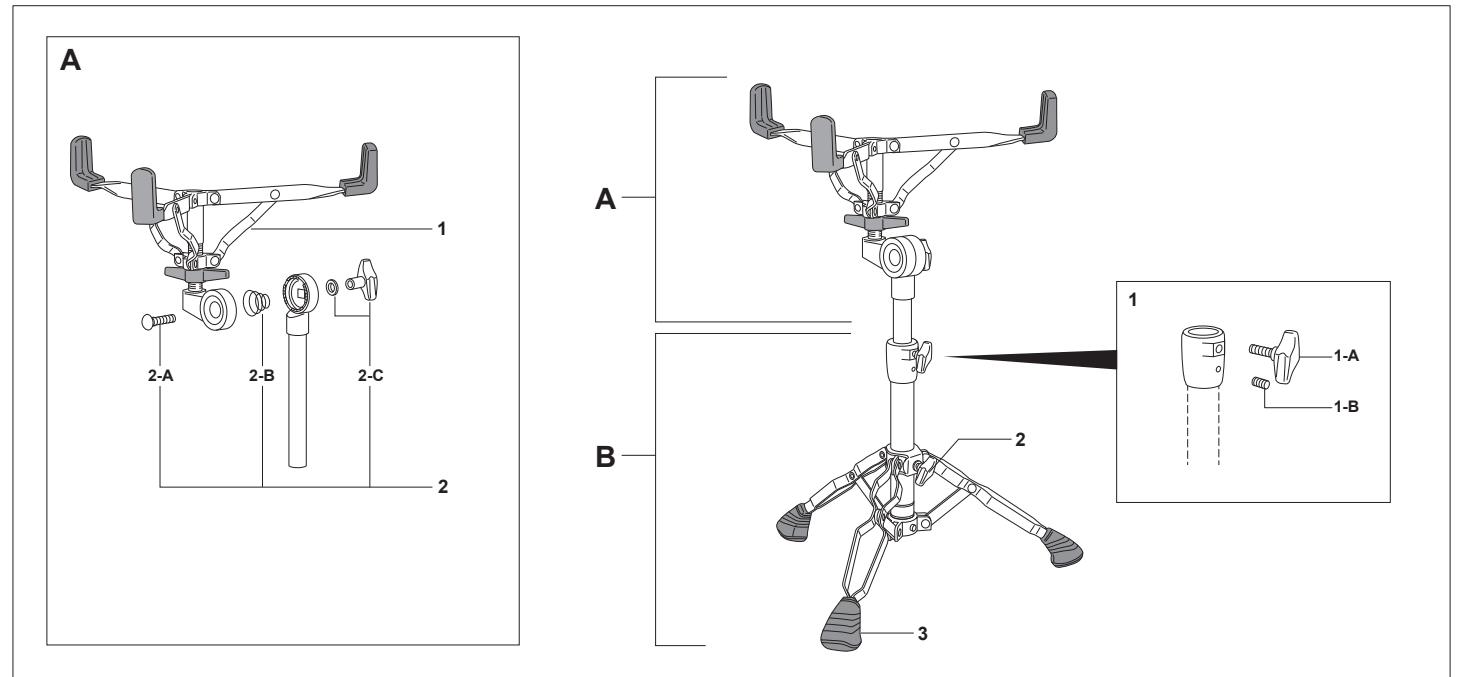
# SNARE STANDS

## S-790



- A S-79A Basket Complete**  
 1 S-79AA Basket Assy. w/Rubber Sleeves  
 1-A S-75C Rubber Sleeve (one each)  
 2 SN-85A Bolt & Nut Set w/Spring  
 2-A SC-36B Clamp Bolt  
 2-B SP-27 Spring  
 2-C UGN-8 Die-Cast Wing Nut w/Washer  
**B BA-S79 Base Assy. Complete**  
 1 DJ-07A Die-Cast Joint Assy. Complete  
 1-A UGB-815A Die-Cast Wing Bolt  
 1-B SB-44 Allen Screw  
 2 UGB-815A Die-Cast Wing Bolt  
 3 PL-34 Rubber Tip (one each)

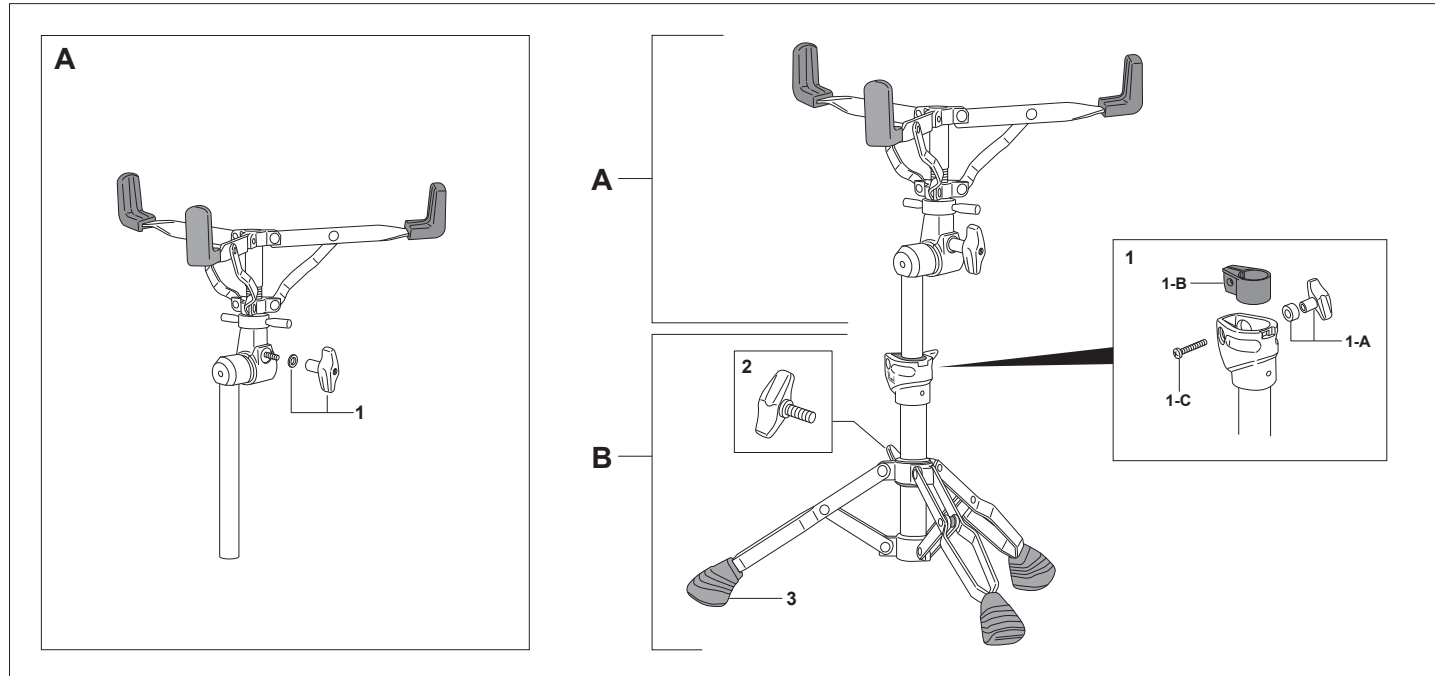
## S-890



- A S-89A Basket Complete**  
 1 S-89AA Basket Assy. w/Rubber Sleeves  
 2 SN-85A Bolt & Nut Set w/Spring  
 2-A SC-36B Clamp Bolt  
 2-B SP-27 Spring  
 2-C UGN-8 Die-Cast Wing Nut w/Washer  
**B BA-S89 Base Assy. Complete**  
 1 DJ-75HA Die-Cast Joint Assy. Complete  
 1-A UGB-815 Die-Cast Wing Bolt  
 1-B SB-44 Allen Screw  
 2 UGB-815 Die-Cast Wing Bolt  
 3 RB-9 Rubber Tip (one each)

# SNARE STANDS

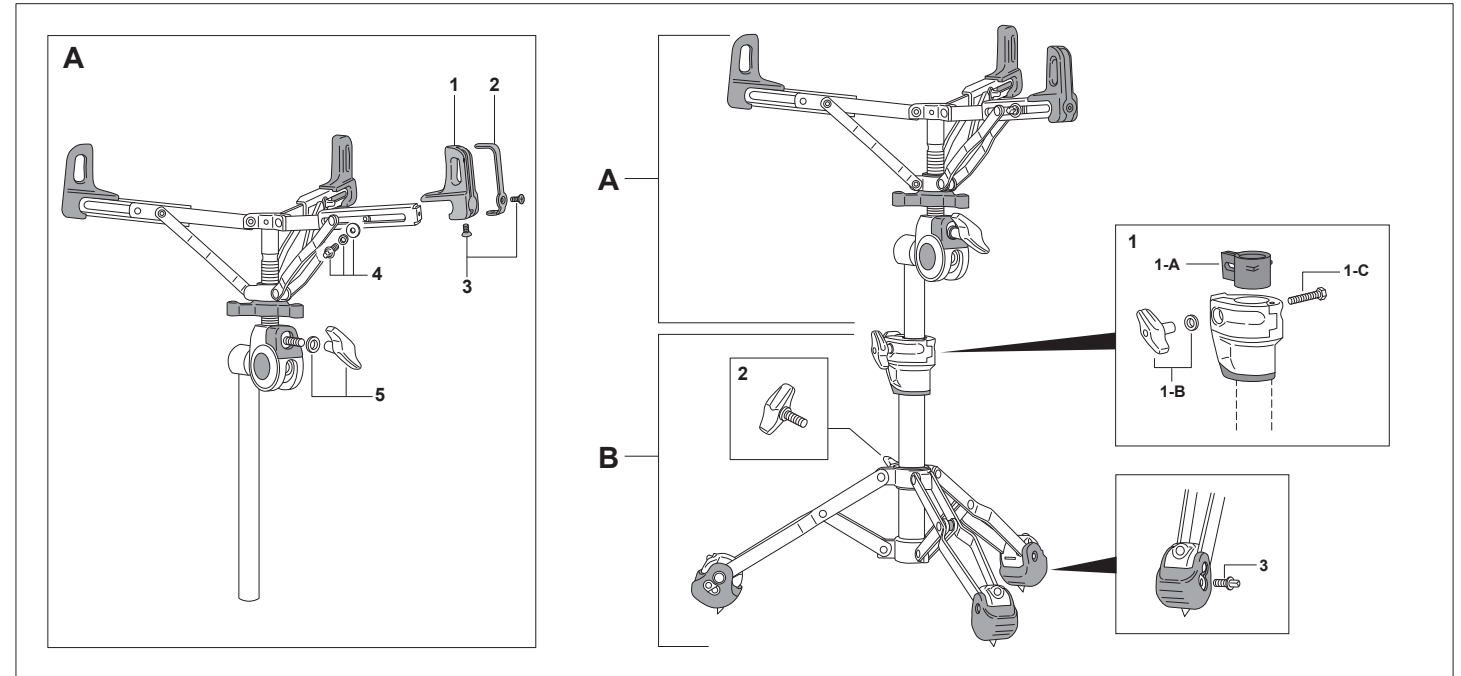
## S-900



- |          |              |                            |          |               |                               |
|----------|--------------|----------------------------|----------|---------------|-------------------------------|
| <b>A</b> | <b>S-90A</b> | <b>Basket Complete</b>     | <b>B</b> | <b>BA-S90</b> | <b>Base Assy. Complete</b>    |
| 1        | UGN-8L       | Die-Cast Wing Nut w/Washer | 1        | PJ-90L        | Die-Cast Joint Assy. Complete |
|          |              |                            | 1-A      | UGN-6C        | Die-Cast Wing Nut w/Collar    |
|          |              |                            | 1-B      | PL-08         | Nylon Bushing                 |
|          |              |                            | 1-C      | SC-392        | Clamp Bolt                    |
|          |              |                            | 2        | UGB-815       | Die-Cast Wing Bolt            |
|          |              |                            | 3        | RB-9          | Rubber Tip (one each)         |

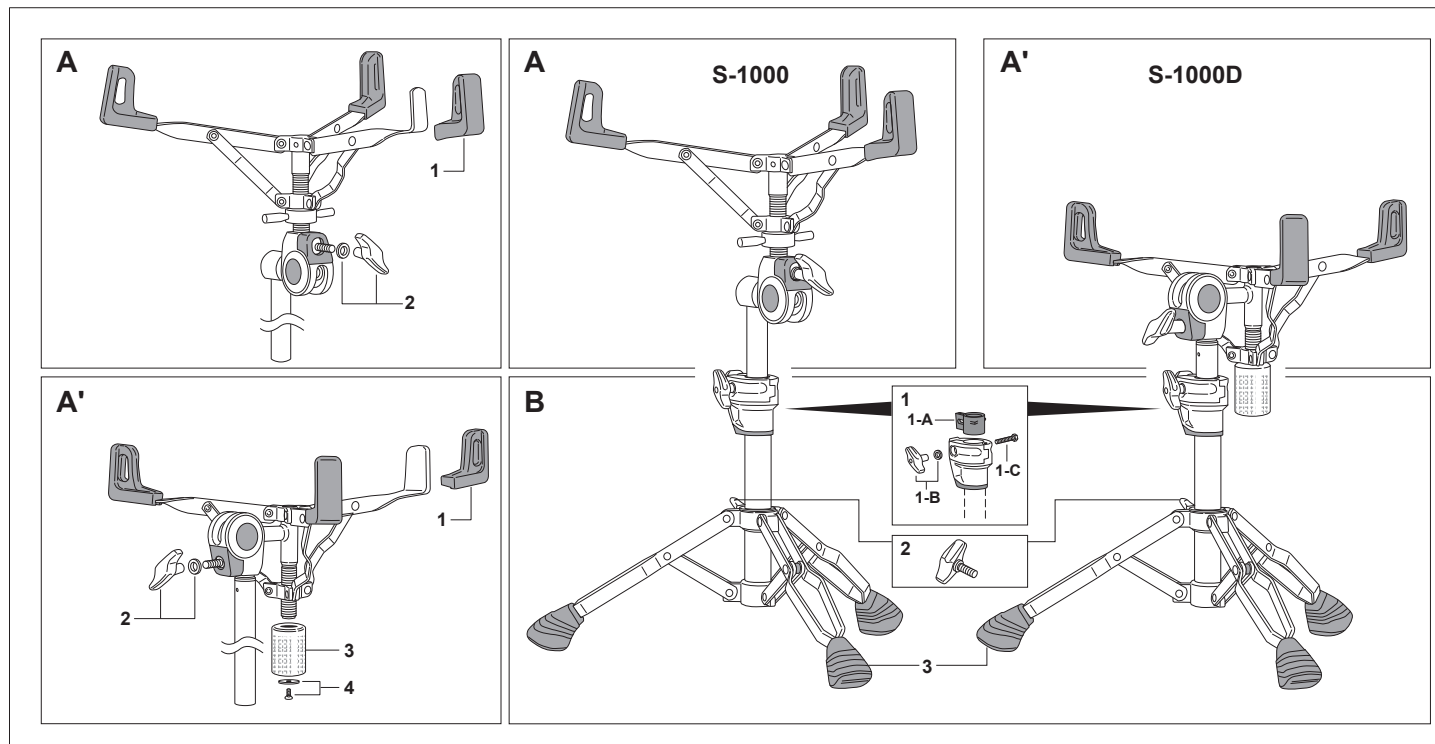
# SNARE STANDS

## S-2000



- |          |               |                             |          |               |                               |
|----------|---------------|-----------------------------|----------|---------------|-------------------------------|
| <b>A</b> | <b>S-204A</b> | <b>Basket Complete</b>      | <b>B</b> | <b>S-204B</b> | <b>Base Assy. Complete</b>    |
| 1        | NP-320        | Rubber Sleeve (one each)    | 1        | DJ-700        | Die-Cast Joint Assy. Complete |
| 2        | PR-573        | Rubber Sleeve Support Plate | 1-A      | NP-366        | Nylon Bushing                 |
| 3        | SC-363        | Screw (one each)            | 1-B      | UGN-6         | Die-Cast Wing Nut w/Washer    |
| 4        | KB-615W       | Key Bolt w/Washers          | 1-C      | SC-169        | Clamp Bolt                    |
| 5        | UGN-8L        | Die-Cast Wing Nut w/Washer  | 2        | UGB-815       | Die-Cast Wing Bolt            |
|          |               |                             | 3        | KB-625        | Key Bolt                      |

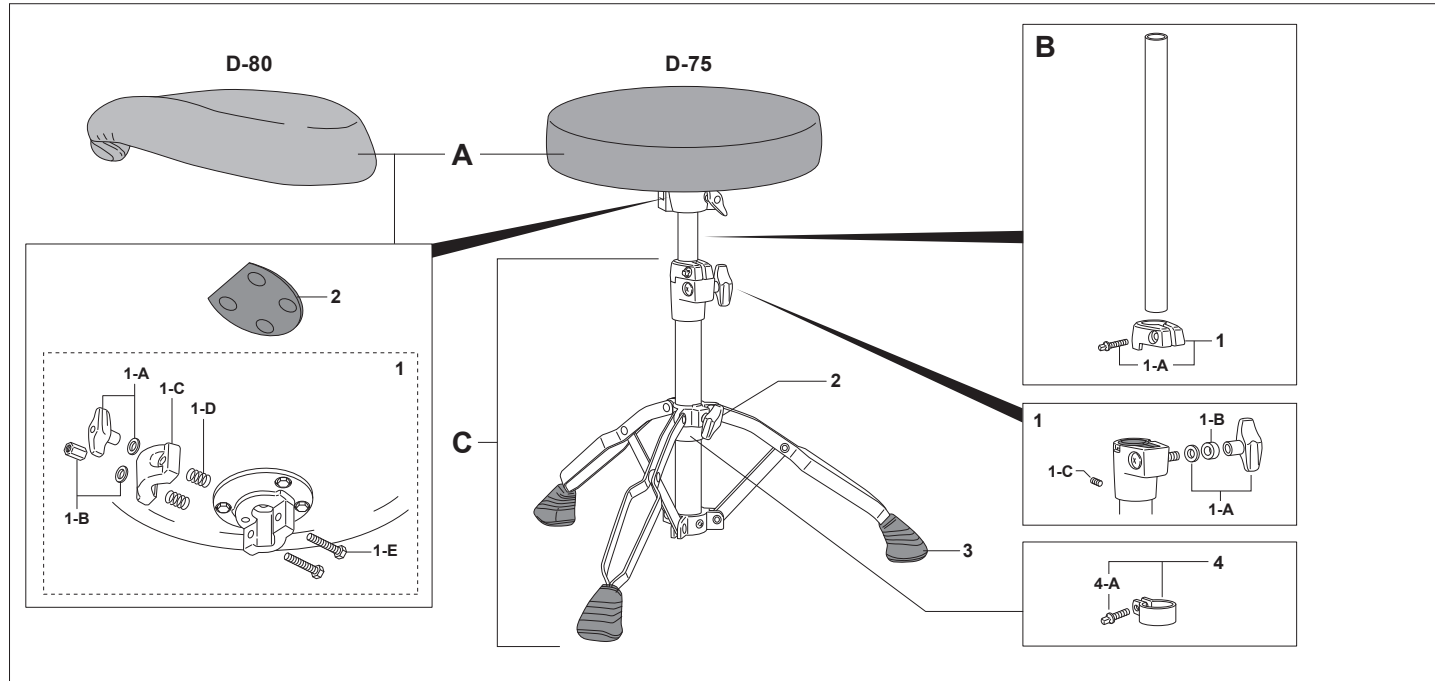
## S-1000 / S-1000D



- |          |               |                            |           |                |                            |          |               |                               |
|----------|---------------|----------------------------|-----------|----------------|----------------------------|----------|---------------|-------------------------------|
| <b>A</b> | <b>S-100A</b> | <b>Basket Complete</b>     | <b>A'</b> | <b>S-100DA</b> | <b>Basket Complete</b>     | <b>B</b> | <b>S-100B</b> | <b>Base Assy. Complete</b>    |
| 1        | NP-358        | Rubber Sleeve (one each)   | 1         | NP-358         | Rubber Sleeve (one each)   | 1        | DJ-700        | Die-Cast Joint Assy. Complete |
| 2        | UGN-8L        | Die-Cast Wing Nut w/Washer | 2         | UGN-8L         | Die-Cast Wing Nut w/Washer | 1-A      | NP-366        | Nylon Bushing                 |
|          |               |                            | 3         | ME-698         | Adjustment Dial            | 1-B      | UGN-6         | Die-Cast Wing Nut w/Washer    |
|          |               |                            | 4         | ME-697A        | Flat Head Screw w/Washer   | 1-C      | SC-169        | Clamp Bolt                    |
|          |               |                            |           |                |                            | 2        | UGB-815       | Die-Cast Wing Bolt            |
|          |               |                            |           |                |                            | 3        | R-20N         | Rubber Tip (one each)         |

# DRUM THRONES

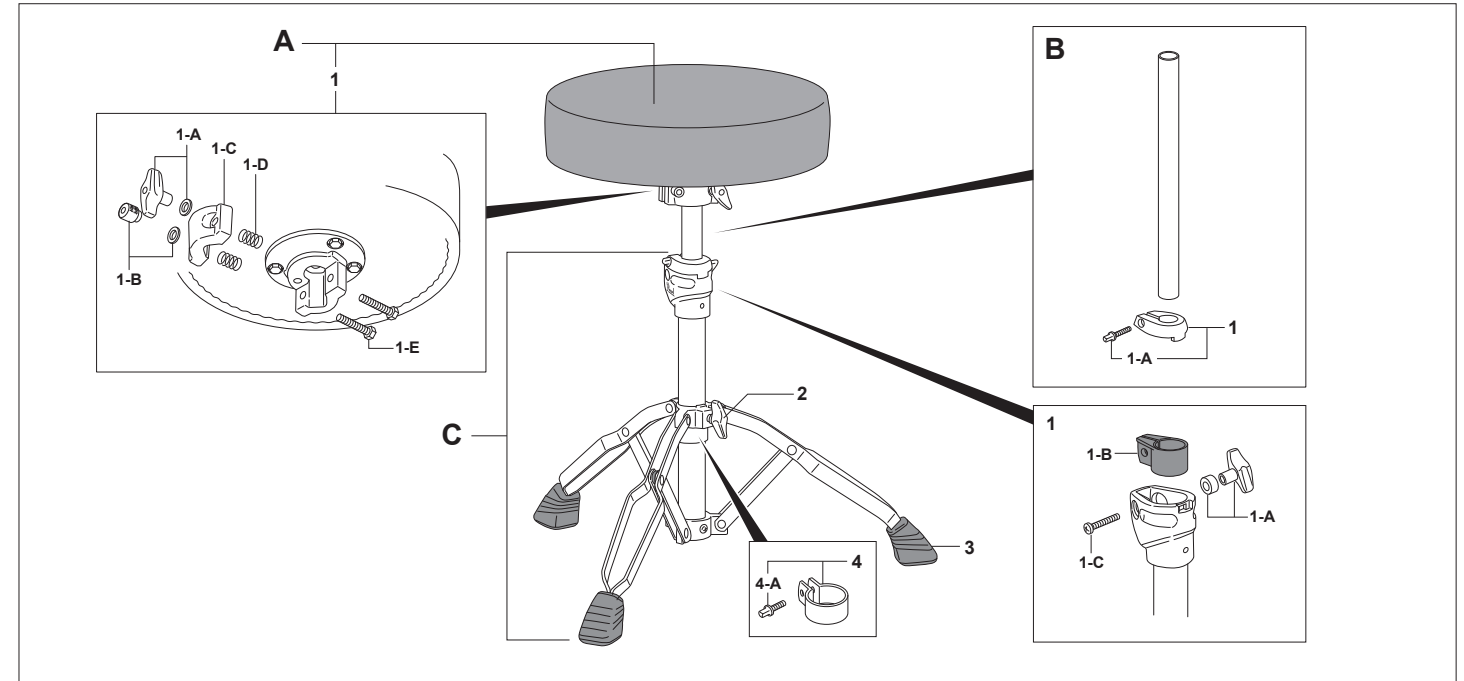
## D-80/75



- |          |   |          |  |          |                                       |
|----------|---|----------|--|----------|---------------------------------------|
| <b>A</b> | <b>NP-274</b> Padded Bike Style Seat (D-80)<br><b>NP-88N</b> Padded Vinyl Seat (D-75) | <b>B</b> | <b>PP-94A</b> Height Adjustment Rod Assy. Complete | <b>C</b> | <b>D-75AN</b> Base Assy. Complete     |
| 1        | RBA-90 Rod Bracket Assy. Complete   | 1        | DC-551A Stop Lock Complete                         | 1        | DC-550A Die-Cast Joint Assy. Complete |
| 1-A      | UGN-8 Die-Cast Wing Nut w/Washer  | 1-A      | KB-625 Key Bolt                                    | 1-A      | UGN-8 Die-Cast Wing Nut w/Washer      |
| 1-B      | M-8SW Hexagonal Nut w/Washer  |          |  | 1-B      | ME-661 Spacer                         |
| 1-C      | DC-645 Die-Cast Clamp   |          |  | 1-C      | SB-44 Allen Screw                     |
| 1-D      | SP-45 Spring (one each)   |          |  | 2        | UGB-815 Die-Cast Wing Bolt            |
| 1-E      | SC-133 Clamp Bolt (one each)  |          |  | 3        | R-20N Rubber Tip (one each)           |
| 2        | NP-279 Bracket Spacer (D-80)  |          |  | 4        | SX-7 Stop Lock Complete               |
|          |   |          |  | 4-A      | KB-615 Key Bolt                       |

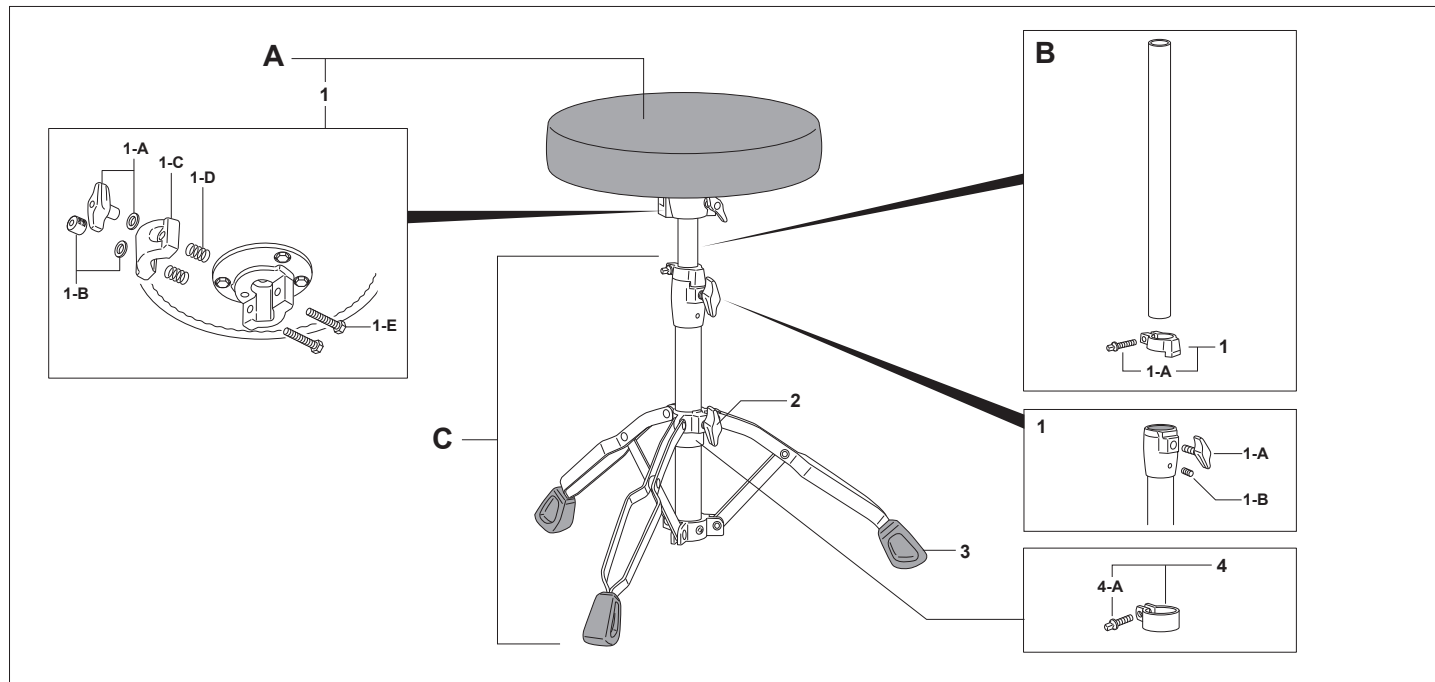
# DRUM THRONES

## D-900



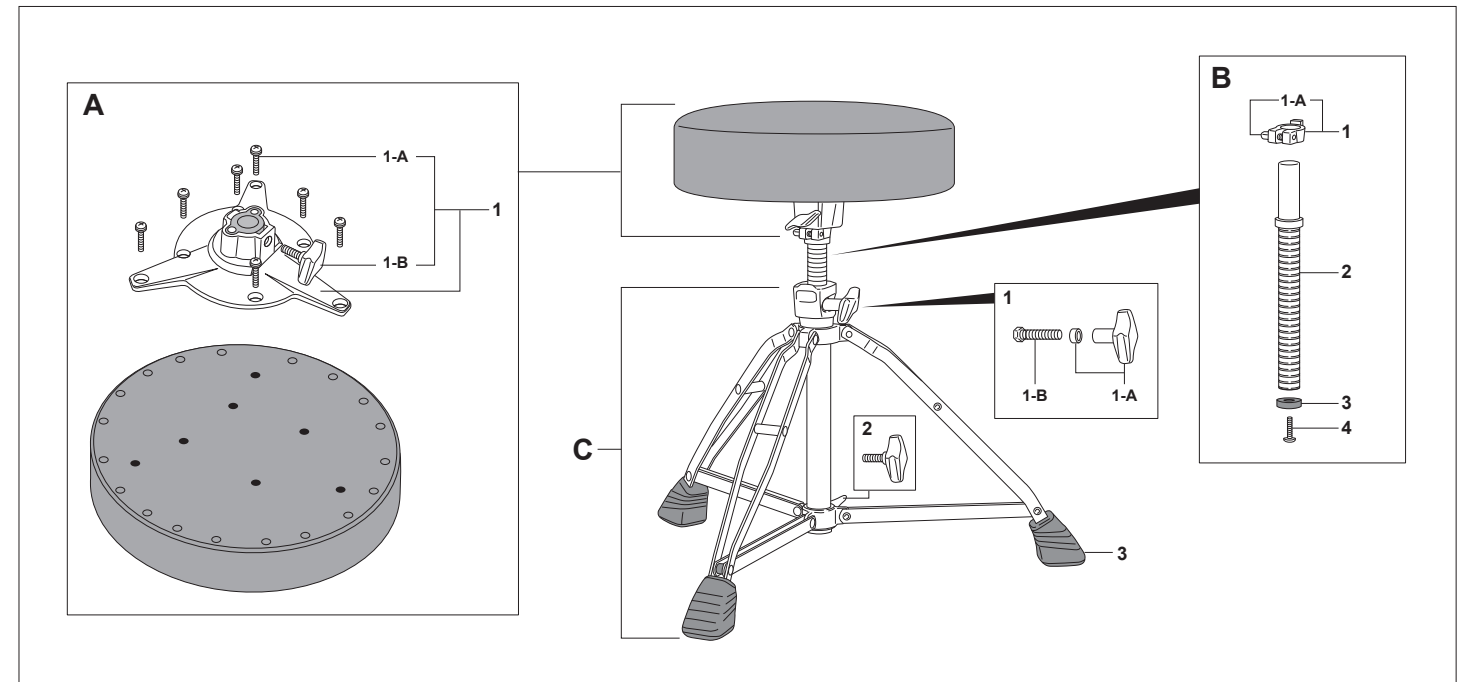
- |          |   |          |  |          |                                      |
|----------|---|----------|--|----------|--------------------------------------|
| <b>A</b> | <b>SEA-90A</b> Seat Top ONLY, Vinyl w/Two-piece Bracket | <b>B</b> | <b>UT-D90</b> Height Adjustment Rod Assy. Complete | <b>C</b> | <b>BA-D90</b> Base Assy. Complete    |
| 1        | RBA-900A Rod Bracket Assy. Complete                     | 1        | ZD-24A Stop Lock Complete                          | 1        | PJ-90L Die-Cast Joint Assy. Complete |
| 1-A      | UGN-8 Die-Cast Wing Nut w/Washer                        | 1-A      | KB-625 Key Bolt                                    | 1-A      | UGN-6C Die-Cast Wing Nut w/Collar    |
| 1-B      | M-8RN Knurled Round Nut w/Washer                        |          |  | 1-B      | PL-08 Nylon Bushing                  |
| 1-C      | DC-645 Die-Cast Clamp                                   |          |  | 1-C      | SC-392 Clamp Bolt                    |
| 1-D      | SP-45 Spring (one each)                                 |          |  | 2        | UGB-815 Die-Cast Wing Bolt           |
| 1-E      | SC-133 Clamp Bolt (one each)                            |          |  | 3        | R-20N Rubber Tip (one each)          |
|          |   |          |  | 4        | STB-28A Stop Lock Complete           |
|          |   |          |  | 4-A      | KB-615 Key Bolt                      |

## D-790



- |          |                                     |          |  |          |                                      |
|----------|-------------------------------------|----------|--|----------|--------------------------------------|
| <b>A</b> | <b>SEA-79A</b> Padded Vinyl Seat    | <b>B</b> | <b>UT-D79</b> Height Adjustment Rod Assy. Complete | <b>C</b> | <b>BA-D79</b> Base Assy. Complete    |
| 1        | RBA-900A Rod Bracket Assy. Complete | 1        | SX-07 Stop Lock Complete                           | 1        | DJ-08A Die-Cast Joint Assy. Complete |
| 1-A      | UGN-8 Die-Cast Wing Nut w/Washer    | 1-A      | KB-625 Key Bolt                                    | 1-A      | UGB-815A Die-Cast Wing Bolt          |
| 1-B      | M-8RN Knurled Round Nut w/Washer    |          |  | 1-B      | SB-44 Allen Screw                    |
| 1-C      | DC-645 Die-Cast Clamp               |          |  | 2        | UGB-815A Die-Cast Wing Bolt          |
| 1-D      | SP-45 Spring (one each)             |          |  | 3        | PL-34 Rubber Tip (one each)          |
| 1-E      | SC-133 Clamp Bolt (one each)        |          |  | 4        | STB-28A Stop Lock Complete           |
|          |                                     |          |  | 4-A      | KB-615 Key Bolt                      |

## D-1000N

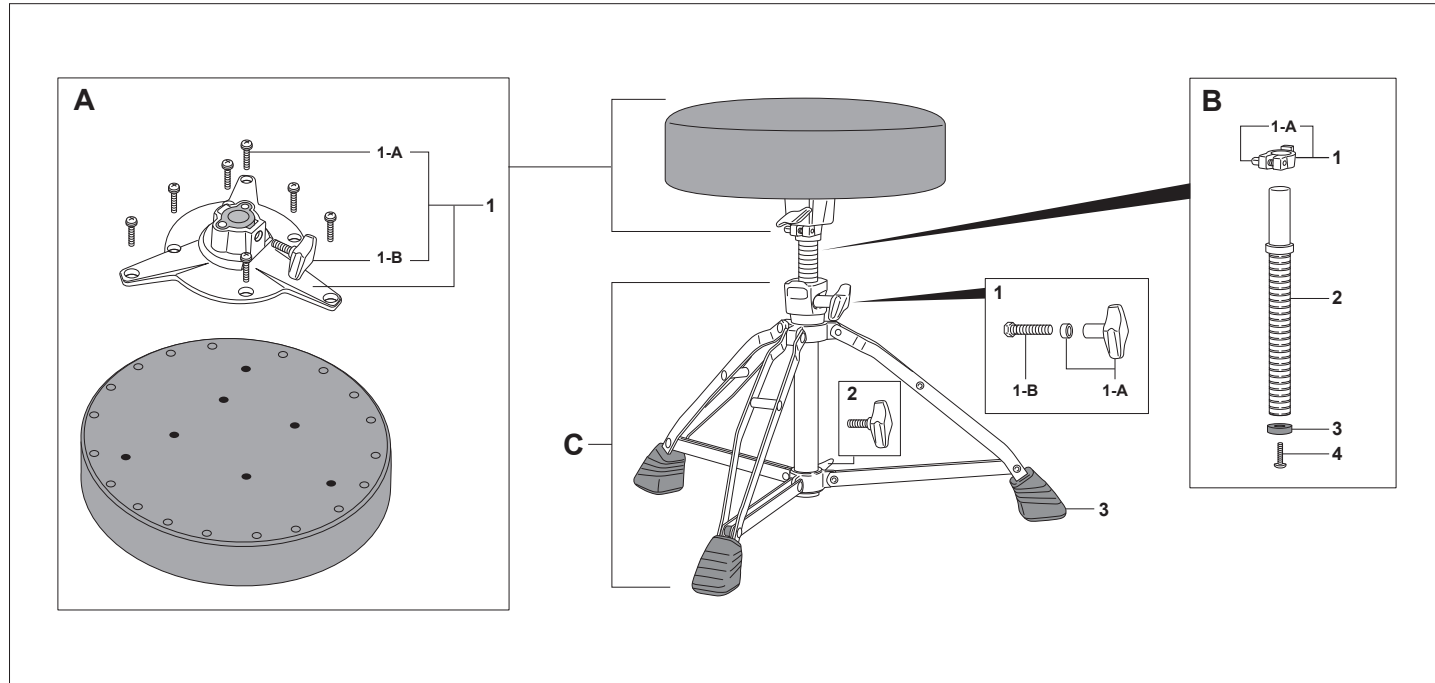


- |          |                                     |          |   |          |                                    |
|----------|-------------------------------------|----------|---|----------|------------------------------------|
| <b>A</b> | <b>SE-100NNA</b> Seat Top ONLY      | <b>B</b> | <b>ME-767A</b> Height Adjustment Post, Complete | <b>C</b> | <b>D-100NA</b> Base Assy. Complete |
| 1        | DC-728AA Rod Bracket Assy. Complete | 1        | DC-729A Stop Lock Complete                      | 1        | SC-121HA Bolt & Nut Set w/Spacer   |
| 1-A      | SC-437 Mounting Screw (one each)    | 1-A      | KB-625 Key Bolt                                 | 1-A      | UGN-8LS Die-Cast Wing Nut w/Spacer |
| 1-B      | UGB-815 Die-Cast Wing Bolt          | 2        | ME-767 Threaded Post                            | 1-B      | SC-121H Clamp Bolt                 |
|          |                                     | 3        | NP-238N Post Stopper                            | 2        | UGB-815 Die-Cast Wing Bolt         |
|          |                                     | 4        | SC-352 Screw                                    | 3        | R-26N Rubber Tip (one each)        |



# DRUM THRONES

## D-1000SN



### A SE-100NNA Seat Top ONLY

- 1 DC-728AA Rod Bracket Assy. Complete
- 1-A SC-437 Mounting Screw (one each)
- 1-B UGB-815 Die-Cast Wing Bolt

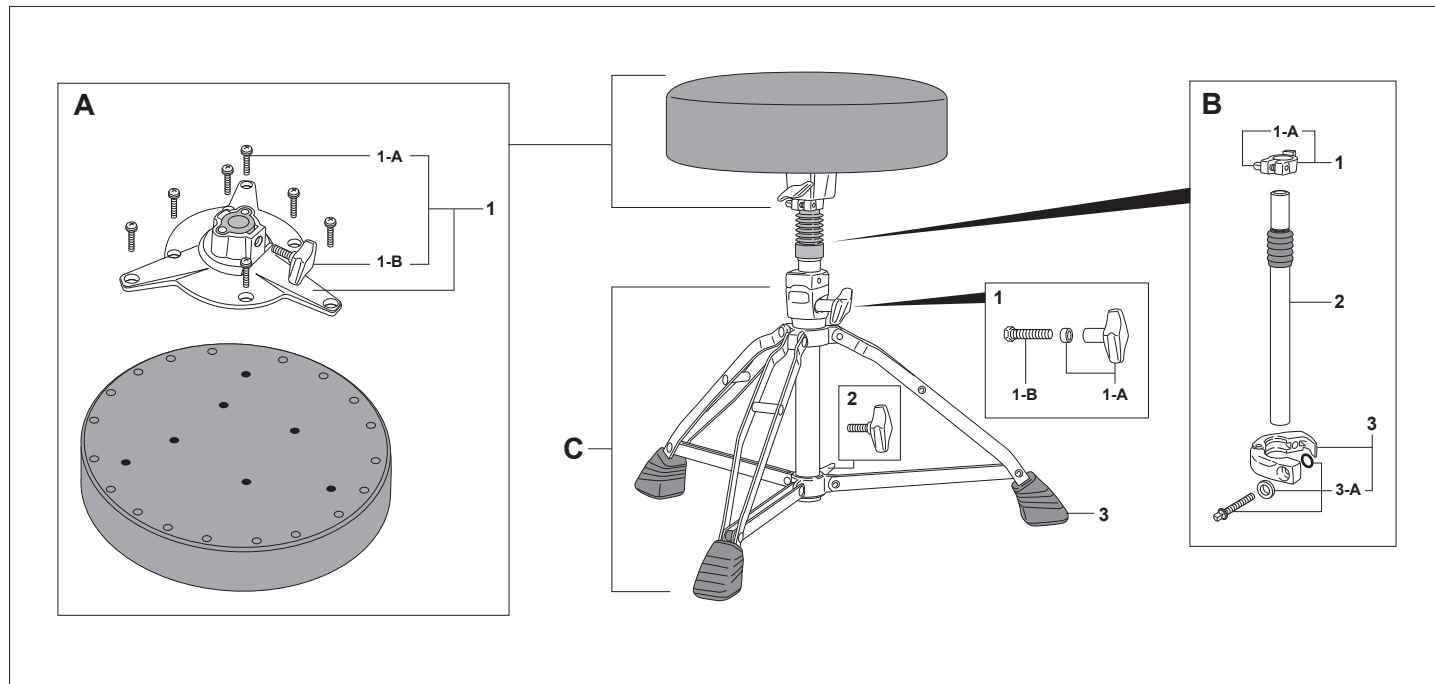
### B ME-767A Height Adjustment Post, Complete

- 1 DC-729A Stop Lock Complete
- 1-A KB-625 Key Bolt
- 2 ME-767 Threaded Post
- 3 NP-238N Post Stopper
- 4 SC-352 Screw

### C D-100SNA Base Assy. Complete

- 1 SC-121HA Bolt & Nut Set w/Spacer
- 1-A UGN-8LS Die-Cast Wing Nut w/Spacer
- 1-B SC-121H Clamp Bolt
- 2 UGB-815 Die-Cast Wing Bolt
- 3 R-26N Rubber Tip (one each)

## D-1000SPN



### A SE-100NNA Seat Top ONLY

- 1 DC-728AA Rod Bracket Assy. Complete
- 1-A SC-437 Mounting Screw (one each)
- 1-B UGB-815 Die-Cast Wing Bolt

### B SAP-100A Shock Absorber Post, Complete

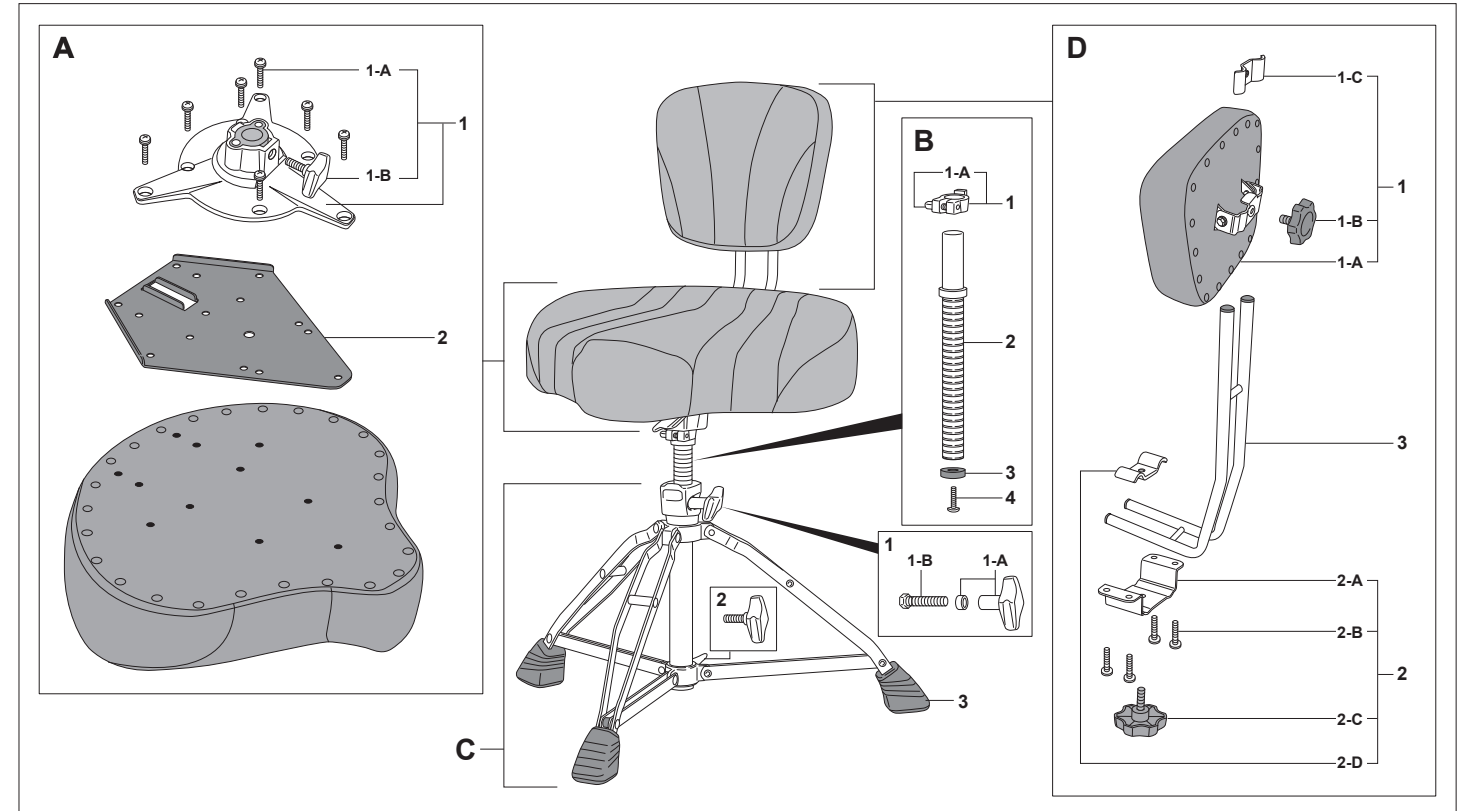
- 1 DC-729A Stop Lock Complete
- 1-A KB-625 Key Bolt
- 2 SAP-100 Shock Absorber Post ONLY
- 3 DC-580A Stop Lock Complete
- 3-A KB-625WO Key Bolt w/Washer & O-Ring

### C D-100SPNA Base Assy. Complete

- 1 SC-121HA Bolt & Nut Set w/Spacer
- 1-A UGN-8LS Die-Cast Wing Nut w/Spacer
- 1-B SC-121H Clamp Bolt
- 2 UGB-815 Die-Cast Wing Bolt
- 3 R-26N Rubber Tip (one each)

# DRUM THRONES

## D-2500BR / 2500



### A SE-250A Seat Top ONLY for D-2500BR / D-2500

- 1 DC-728AA Rod Bracket Assy. Complete
- 1-A SC-437 Mounting Screw (one each)
- 1-B UGB-815 Die-Cast Wing Bolt
- 2 PR-689 Back Rest Attachment Plate

### B ME-767A Height Adjustment Post, Complete

- 1 DC-729A Stop Lock Complete
- 1-A KB-625 Key Bolt
- 2 ME-767 Threaded Post
- 3 NP-238N Post Stopper
- 4 SC-352 Screw

### C D-100NA Base Assy. Complete

- 1 SC-121HA Bolt & Nut Set w/Spacer
- 1-A UGN-8LS Die-Cast Wing Nut w/Spacer
- 1-B SC-121H Clamp Bolt
- 2 UGB-815 Die-Cast Wing Bolt
- 3 R-26N Rubber Tip (one each)

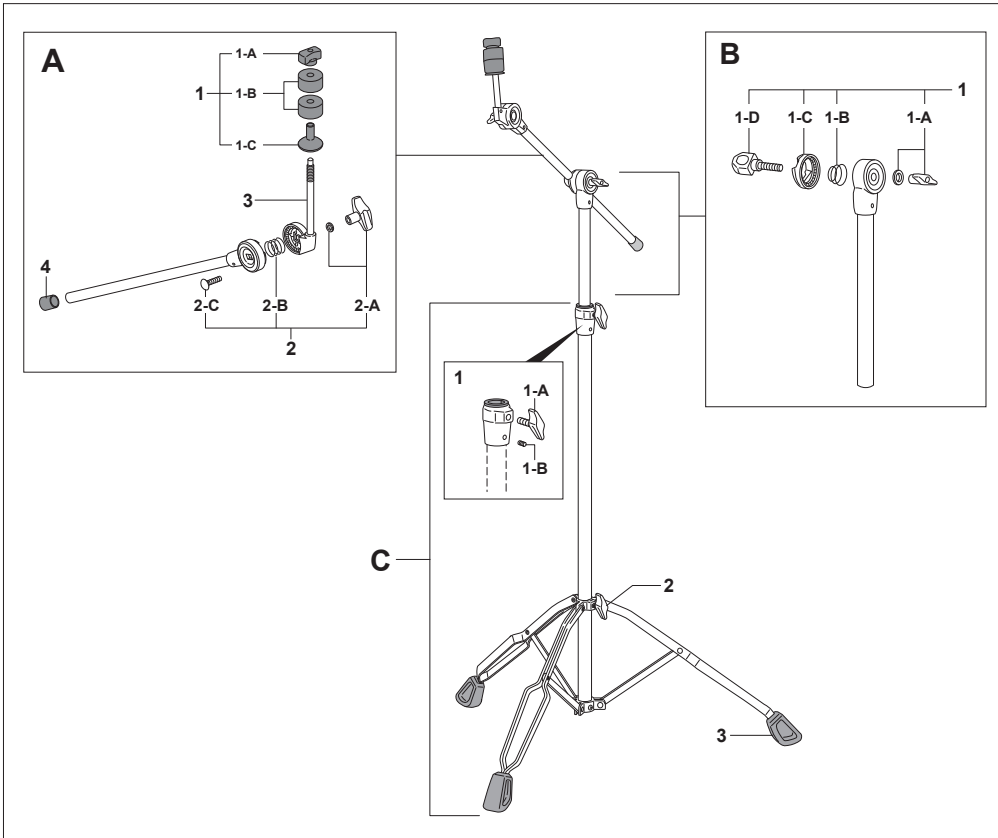
### D BR-2500A Back Rest ONLY for D-2500BR

- 1 NP-423BNB Back Rest Cushion Assy. Complete
- 1-A NP-423BNA Back Rest Cushion ONLY
- 1-B NP-389L Adjustment Bolt
- 1-C PR-685 Metal Clamp Plate
- 2 PR-687A Back Rest Bracket Assy.
- 2-A PR-687 Back Rest Bracket
- 2-B SC-437 Mounting Screw (one each)
- 2-C NP-389L Adjustment Bolt
- 2-D PR-685 Metal Clamp Plate
- 3 PP-216 Back Rest Tube



# CYMBAL BOOM STANDS

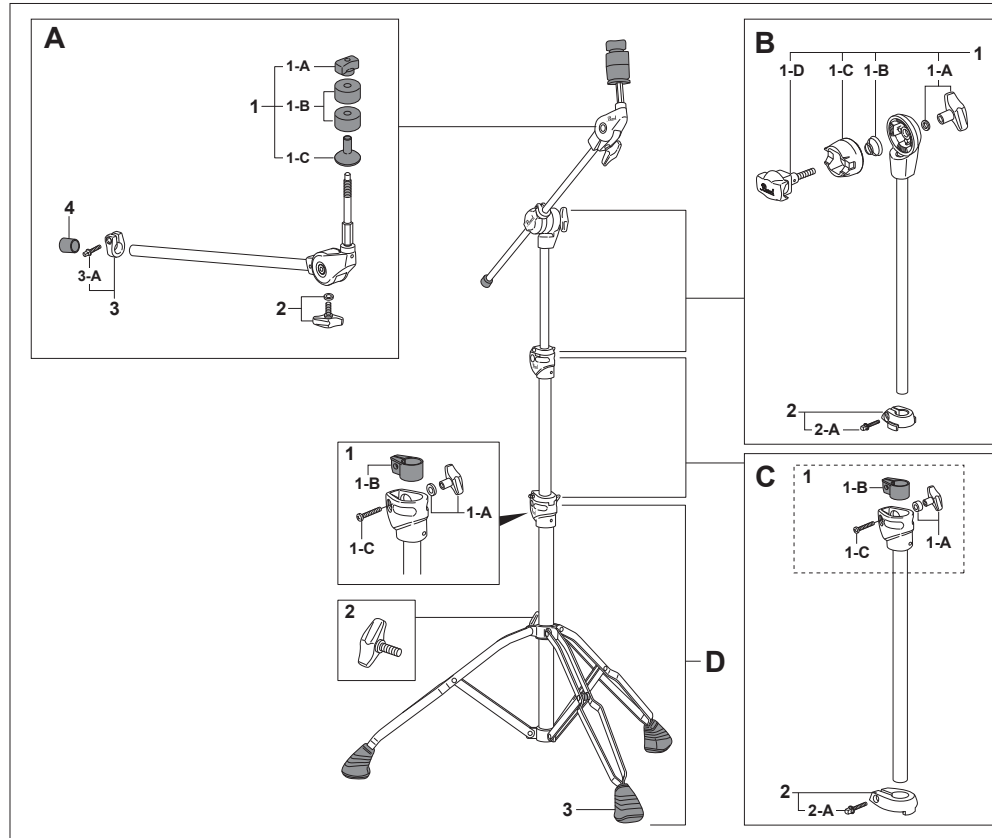
## B-790



- A AA-B79 Boom Assy. Complete**
- 1 PL-10BA Upper Tilter Section Complete
  - 1-A PL-10 Plastic Cymbal Nut
  - 1-B FL-79 Felt Washer (one each)
  - 1-C PL-11 Cymbal Seat Cup
  - 2 SN-800A Bolt & Nut Set w/Spring
  - 2-A UGN-8 Die-Cast Wing Nut w/Washer
  - 2-B SP-32 Spring
  - 2-C SC-36B Clamp Bolt
  - 3 SN-890 Tilter Unit
  - 4 NP-71 Plastic Tip
- B UT-B79 Upper Tube Assy. Complete**
- 1 BC-B79 Boom Clamp Assy. Complete
  - 1-A UGN-8 Die-Cast Wing Nut w/Washer
  - 1-B SP-27 Spring
  - 1-C ZD-84 Clamp Gear Link
  - 1-D ZD-86A Boom Clamp Bolt
- C BA-79 Base Assy. Complete**
- 1 DJ-07A Die-Cast Joint Assy. Complete
  - 1-A UGB-815A Die-Cast Wing Bolt
  - 1-B SB-44 Allen Screw
  - 2 UGB-815A Die-Cast Wing Bolt
  - 3 PL-34 Rubber Tip (one each)

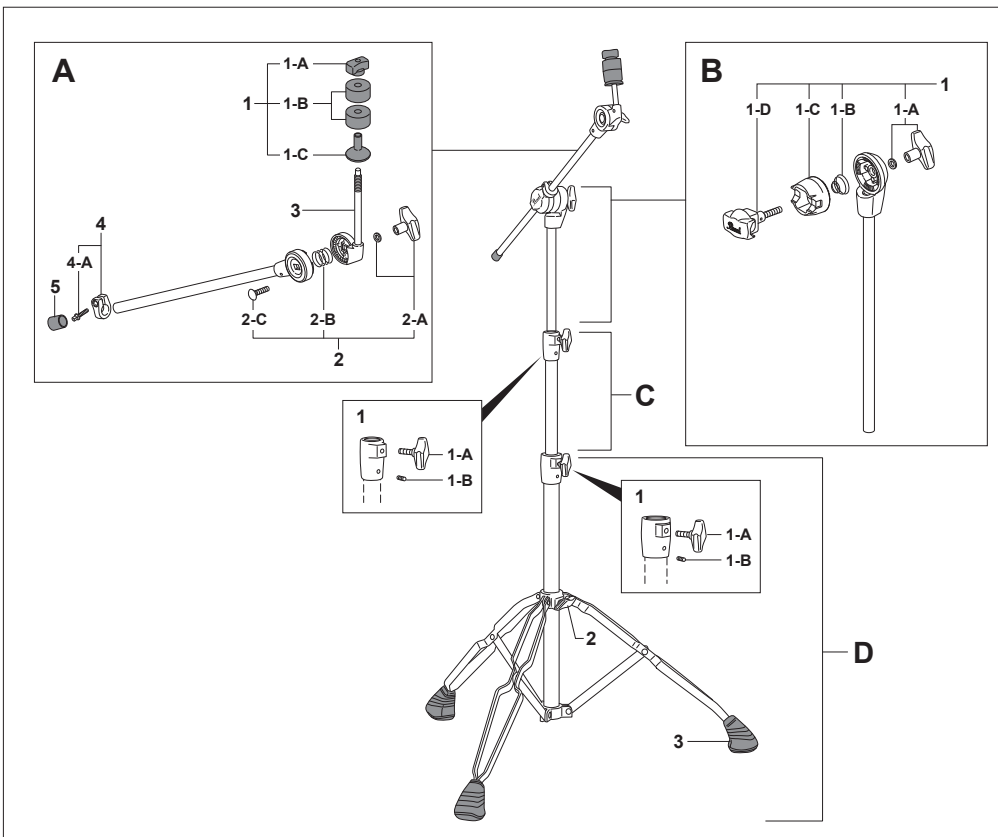
# CYMBAL BOOM STANDS

## B-900



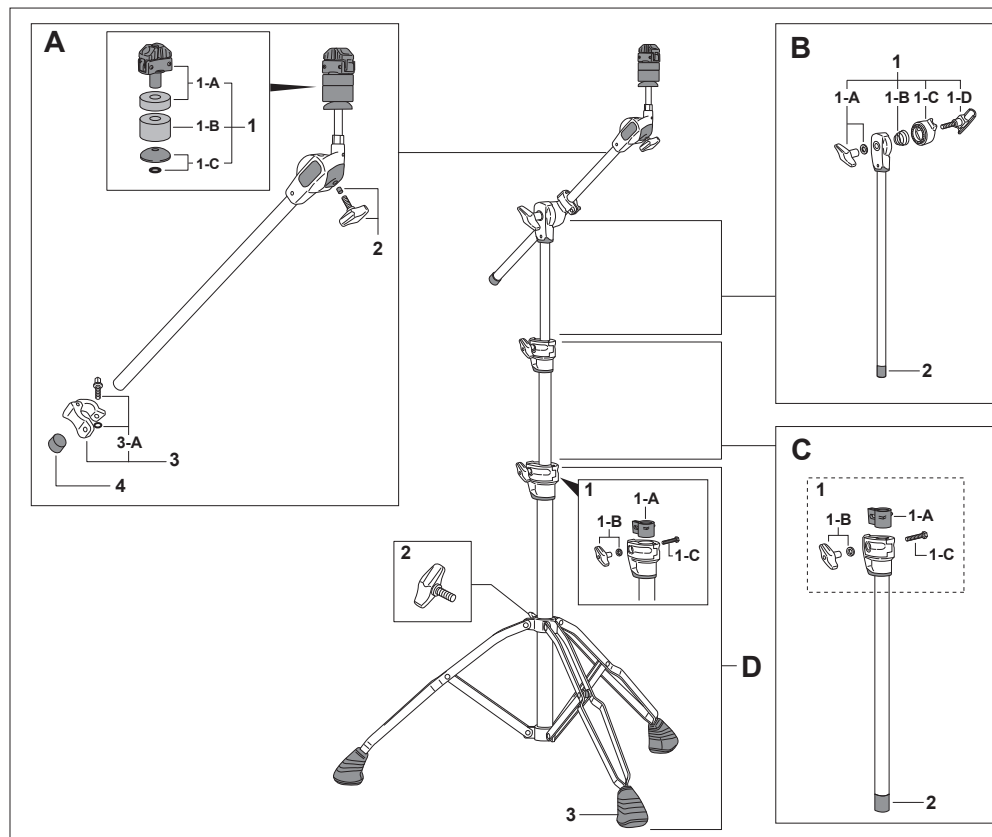
- A AA-B90 Boom Assy. Complete**
- 1 PL-10A Upper Tilter Section Complete
  - 1-A PL-10 Plastic Cymbal Nut
  - 1-B FE-18K Felt Washer (one each)
  - 1-C PL-11 Cymbal Seat Cup
  - 2 UGB-830 Die-Cast Wing Bolt w/Washer
  - 3 ZD-16A Stop Lock Complete
  - 3-A KB-620 Key Bolt
  - 4 NP-71 Plastic Tip
- B UT-B90 Upper Tube Assy. Complete**
- 1 BC-B90 Boom Clamp Assy. Complete
  - 1-A UGN-8 Die-Cast Wing Nut w/Washer
  - 1-B SP-27 Spring
  - 1-C ZD-14 Clamp Gear Link
  - 1-D ZD-15A Boom Clamp Bolt
  - 2 ZD-75A Stop Lock Complete
  - 2-A KB-620 Key Bolt
- C CT-90 Center Tube Assy. Complete**
- 1 PJ-90S Die-Cast Joint Assy. Complete
  - 1-A UGN-6C Die-Cast Wing Nut w/Collar
  - 1-B PL-09 Nylon Bushing
  - 1-C SC-392 Clamp Bolt
  - 2 ZD-24A Stop Lock Complete
  - 2-A KB-625 Key Bolt
- D BA-90 Base Assy. Complete**
- 1 PJ-90L Die-Cast Joint Assy. Complete
  - 1-A UGN-6C Die-Cast Wing Nut w/Collar
  - 1-B PL-08 Nylon Bushing
  - 1-C SC-392 Clamp Bolt
  - 2 UGB-815 Die-Cast Wing Bolt
  - 3 RB-8 Rubber Tip (one each)

## B-890



- A AA-B89 Boom Assy. Complete**
- 1 PL-10A Upper Tilter Section Complete
  - 1-A PL-10 Plastic Cymbal Nut
  - 1-B FE-18K Felt Washer (one each)
  - 1-C PL-11 Cymbal Seat Cup
  - 2 SN-800A Bolt & Nut Set w/Spring
  - 2-A UGN-8 Die-Cast Wing Nut w/Washer
  - 2-B SP-32 Spring
  - 2-C SC-36B Clamp Bolt
  - 3 SN-890 Tilter Unit
  - 4 ZD-16A Stop Lock Complete
  - 4-A KB-620 Key Bolt
  - 5 NP-71 Plastic Tip
- B UT-B89 Upper Tube Assy. Complete**
- 1 BC-B90 Boom Clamp Assy. Complete
  - 1-A UGN-8 Die-Cast Wing Nut w/Washer
  - 1-B SP-27 Spring
  - 1-C ZD-14 Clamp Gear Link
  - 1-D ZD-15A Boom Clamp Bolt
- C CT-89 Center Tube Assy. Complete**
- 1 DJ-55A Die-Cast Joint Assy. Complete
  - 1-A UGB-815 Die-Cast Wing Bolt
  - 1-B SB-44 Allen Screw
- D BA-89 Base Assy. Complete**
- 1 DJ-75A Die-Cast Joint Assy. Complete
  - 1-A UGB-815 Die-Cast Wing Bolt
  - 1-B SB-44 Allen Screw
  - 2 UGB-815 Die-Cast Wing Bolt
  - 3 RB-8 Rubber Tip (one each)

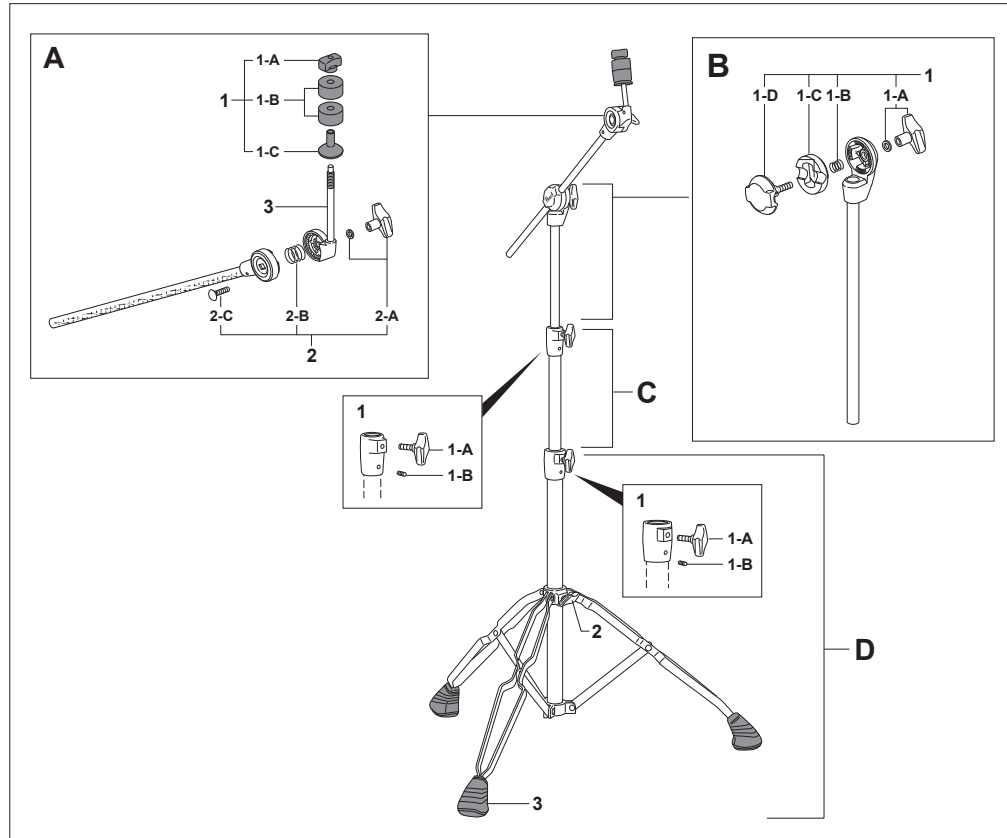
## B-1000



- A B-100A Boom Assy. Complete**
- 1 WL-200A WingLoc Assy. Complete
  - 1-A WL-200 WingLoc Quick Release Wing Nut w/Felt
  - 1-B FE-18K Felt Washer
  - 1-C RC-20 Reversible Seat Cup w/O-Ring
  - 2 UGB-815P Die-Cast Wing Bolt w/Pin
  - 3 DC-625A Stop Lock Complete
  - 3-A KB-615WO Key Bolt w/O-Ring
  - 4 NP-71 Plastic Tip
- B TU-100A Upper Tube Assy. Complete**
- 1 BC-100A Boom Clamp Assy. Complete
  - 1-A UGN-8L Die-Cast Wing Nut w/Washer
  - 1-B SP-27N Spring
  - 1-C DC-594 Clamp Gear Link
  - 1-D DC-596A Boom Clamp Bolt
  - 2 NP-375 Plastic Tip
- C CP-100A Center Tube Assy. Complete**
- 1 DJ-500 Die-Cast Joint Assy. Complete
  - 1-A NP-367 Nylon Bushing
  - 1-B UGN-6 Die-Cast Wing Nut w/Washer
  - 1-C SC-169 Clamp Bolt
  - 2 NP-376 Plastic Tip
- D BA-100BW Base Assy. Complete**
- 1 DJ-700 Die-Cast Joint Assy. Complete
  - 1-A NP-366 Nylon Bushing
  - 1-B UGN-6 Die-Cast Wing Nut w/Washer
  - 1-C SC-169 Clamp Bolt
  - 2 UGB-815 Die-Cast Wing Bolt
  - 3 R-22N Rubber Tip (one each)

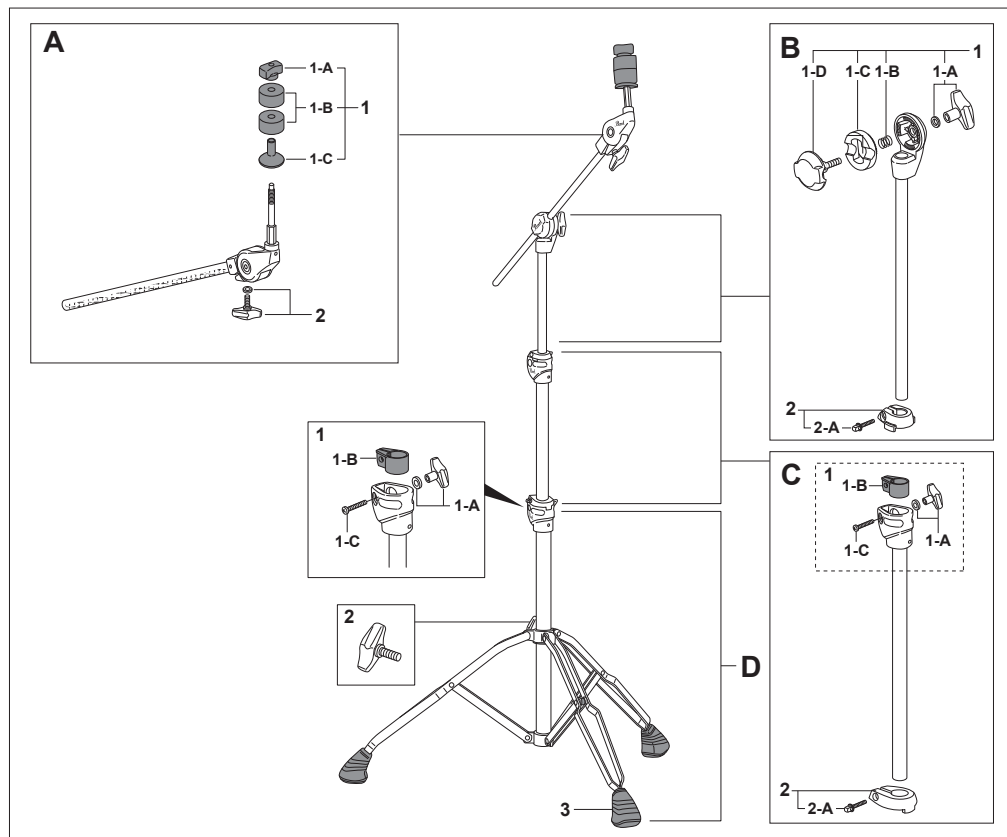
# CYMBAL BOOM STANDS

## BC-890



- A AA-BC89 Boom Assy. Complete**  
 1 PL-10A Upper Tilter Section Complete  
 1-A PL-10 Plastic Cymbal Nut  
 1-B FE-18K Felt Washer (one each)  
 1-C PL-11 Cymbal Seat Cup  
 2 SN-800A Bolt & Nut Set w/Spring  
 2-A UGN-8 Die-Cast Wing Nut w/Washer  
 2-B SP-032 Spring  
 2-C SC-36B Clamp Bolt  
 3 SN-890 Tilter Unit
- B UT-BC89 Upper Tube Assy. Complete**  
 1 BC-BC90 Boom Clamp Assy. Complete  
 1-A UGN-8 Die-Cast Wing Nut w/Washer  
 1-B SP-32 Spring  
 1-C ZD-18 Clamp Gear Link  
 1-D ZD-19A Boom Clamp Bolt
- C CT-89 Center Tube Assy. Complete**  
 1 DJ-55A Die-Cast Joint Assy. Complete  
 1-A UGB-815 Die-Cast Wing Bolt  
 1-B SB-44 Allen Screw
- D BA-89 Base Assy. Complete**  
 1 DJ-75A Die-Cast Joint Assy. Complete  
 1-A UGB-815 Die-Cast Wing Bolt  
 1-B SB-44 Allen Screw  
 2 UGB-815 Die-Cast Wing Bolt  
 3 RB-8 Rubber Tip (one each)

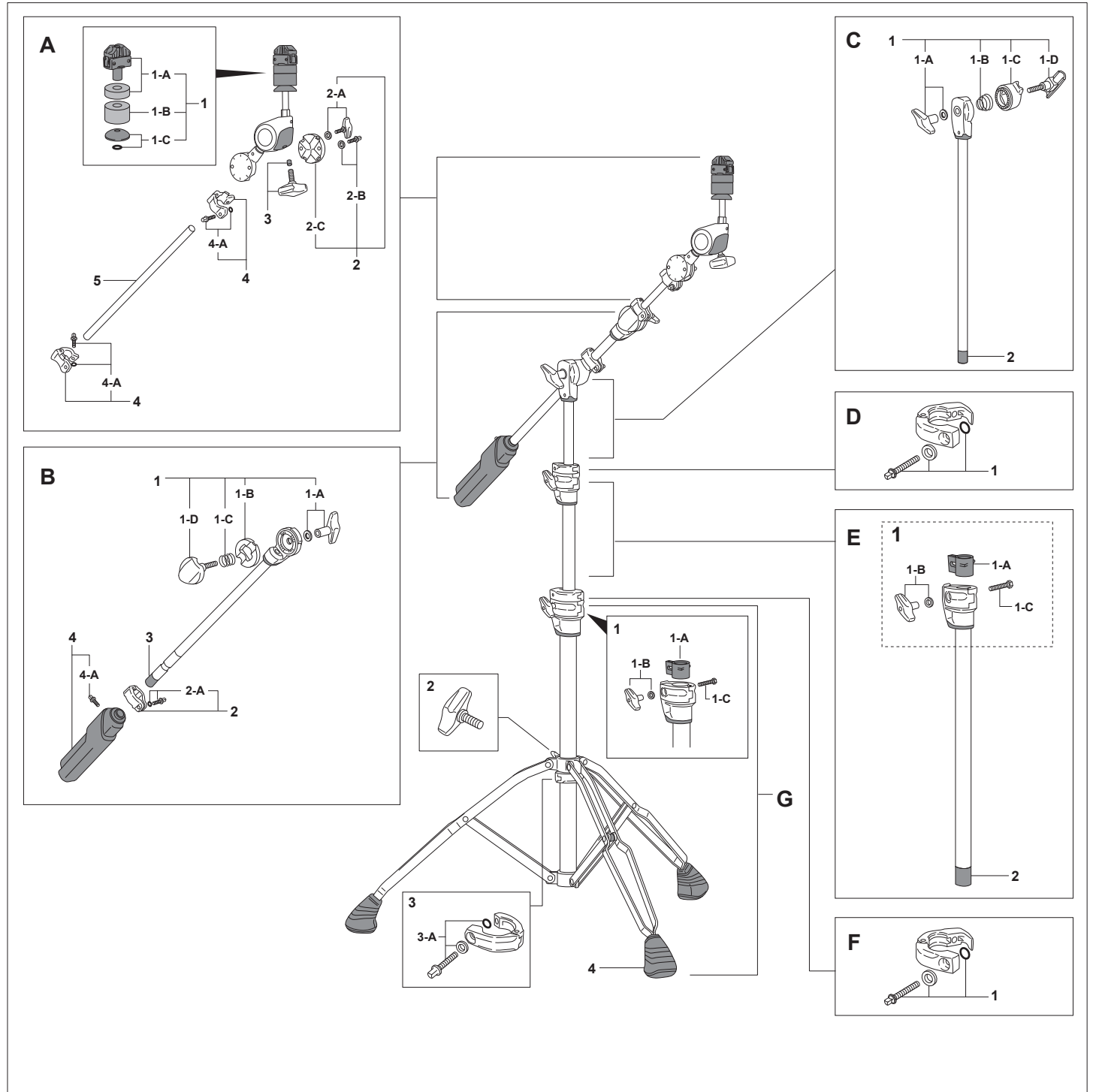
## BC-900



- A AA-BC90 Boom Assy. Complete**  
 1 PL-10A Upper Tilter Section Complete  
 1-A PL-10 Plastic Cymbal Nut  
 1-B FE-18K Felt Washer (one each)  
 1-C PL-11 Cymbal Seat Cup  
 2 UGB-830 Die-Cast Wing Bolt w/Washer
- B UT-BC90 Upper Tube Assy. Complete**  
 1 BC-BC90 Boom Clamp Assy. Complete  
 1-A UGN-8 Die-Cast Wing Nut w/Washer  
 1-B SP-032 Spring  
 1-C ZD-18 Clamp Gear Link  
 1-D ZD-19A Boom Clamp Bolt  
 2 ZD-75A Stop Lock Complete  
 2-A KB-620 Key Bolt
- C CT-90 Center Tube Assy. Complete**  
 1 PJ-90S Die-Cast Joint Assy. Complete  
 1-A UGN-6C Die-Cast Wing Nut w/Collar  
 1-B PL-09 Nylon Bushing  
 1-C SC-392 Clamp Bolt  
 2 ZD-24A Stop Lock Complete  
 2-A KB-625 Key Bolt
- D BA-90 Base Assy. Complete**  
 1 PJ-90L Die-Cast Joint Assy. Complete  
 1-A UGN-6C Die-Cast Wing Nut w/Collar  
 1-B PL-08 Nylon Bushing  
 1-C SC-392 Clamp Bolt  
 2 UGB-815 Die-Cast Wing Bolt  
 3 RB-8 Rubber Tip (one each)

# CYMBAL BOOM STANDS

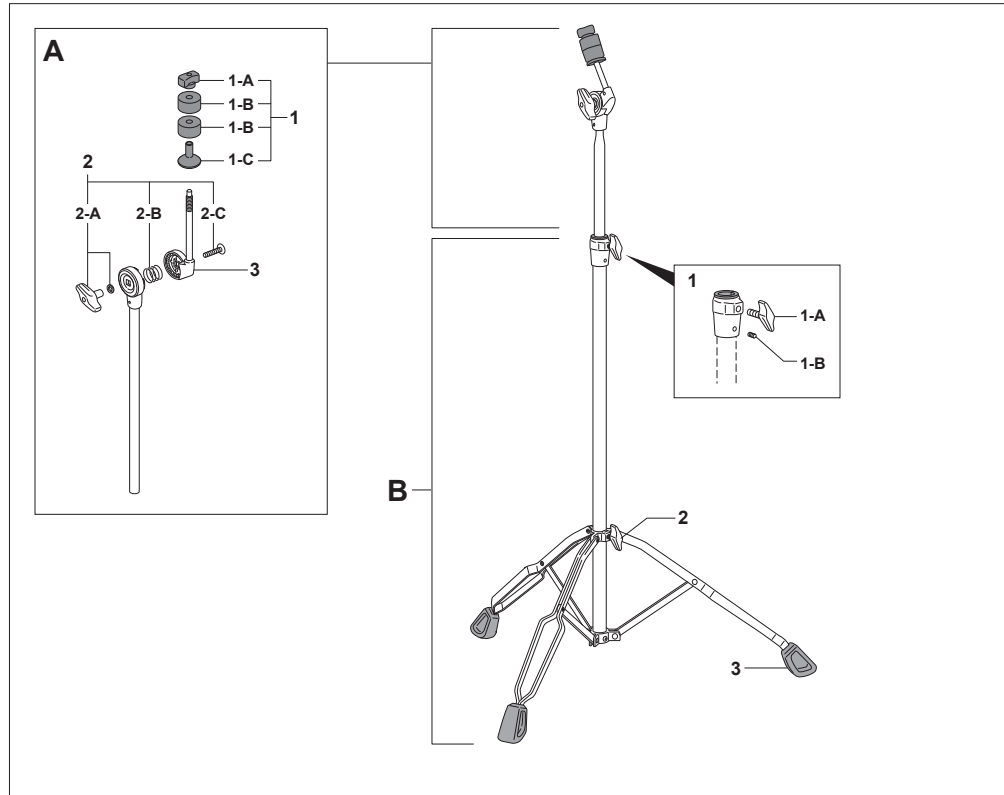
## BC-2000



- A B-200A Upper Boom Assy. Complete**  
 1 WL-200A WingLoc Assy. Complete  
 1-A WL-200 WingLoc Quick Release Wing Nut w/Felt  
 1-B FE-18K Felt Washer  
 1-C RC-20 Reversible Seat Cup w/O-Ring  
 2 DC-634AN Clamp Assy. Complete  
 2-A UGB-620 Die-Cast Wing Bolt w/Washer  
 2-B KB-620W Key Bolt w/Washer  
 2-C DC-634N Clamp Plate  
 3 UGB-815P Die-Cast Wing Bolt w/Pin  
 4 DC-627AN Stop Lock Complete  
 4-A KB-615WO Key Bolt w/O-Ring  
 5 ME-651 Knurled Boom Arm
- B B-200B Lower Boom Assy. Complete**  
 1 BC-200AN Boom Clamp Assy. Complete  
 1-A UGN-8 Die-Cast Wing Nut w/Washer  
 1-B DC-630N Clamp Gear Link  
 1-C SP-32 Spring  
 1-D DC-595A Boom Clamp Bolt  
 2 DC-625A Stop Lock Complete  
 2-A KB-615WO Key Bolt w/O-Ring  
 3 NP-430 Rubber Tip  
 4 NP-373A Boom Arm Counterweight w/Key Bolt  
 4-A KB-615 Key Bolt
- C TU-100A Upper Tube Assy. Complete**  
 1 BC-100A Boom Clamp Assy. Complete  
 1-A UGN-8L Die-Cast Wing Nut w/Washer  
 1-B SP-27N Spring  
 1-C DC-594 Clamp Gear Link  
 1-D DC-596A Boom Clamp Bolt  
 2 NP-375 Plastic Tip
- D DC-578A Stop Lock Complete**  
 1 KB-625WO Key Bolt w/Washer & O-Ring
- E CP-100A Center Tube Assy. Complete**  
 1 DJ-500 Die-Cast Joint Assy. Complete  
 1-A NP-367 Nylon Bushing  
 1-B UGN-6 Die-Cast Wing Nut w/Washer  
 1-C SC-169 Clamp Bolt  
 2 NP-376 Plastic Tip
- F DC-576A Stop Lock Complete**  
 1 KB-625WO Key Bolt w/Washer & O-Ring
- G BA-200BW Base Assy. Complete**  
 1 DJ-700 Die-Cast Joint Assy. Complete  
 1-A NP-366 Nylon Bushing  
 1-B UGN-6 Die-Cast Wing Nut w/Washer  
 1-C SC-169 Clamp Bolt  
 2 UGB-815 Die-Cast Wing Bolt  
 3 DC-582A Stop Lock Complete  
 3-A KB-625WO Key Bolt w/Washer & O-Ring  
 4 R-22N Rubber Tip (one each)

# CYMBAL STANDS

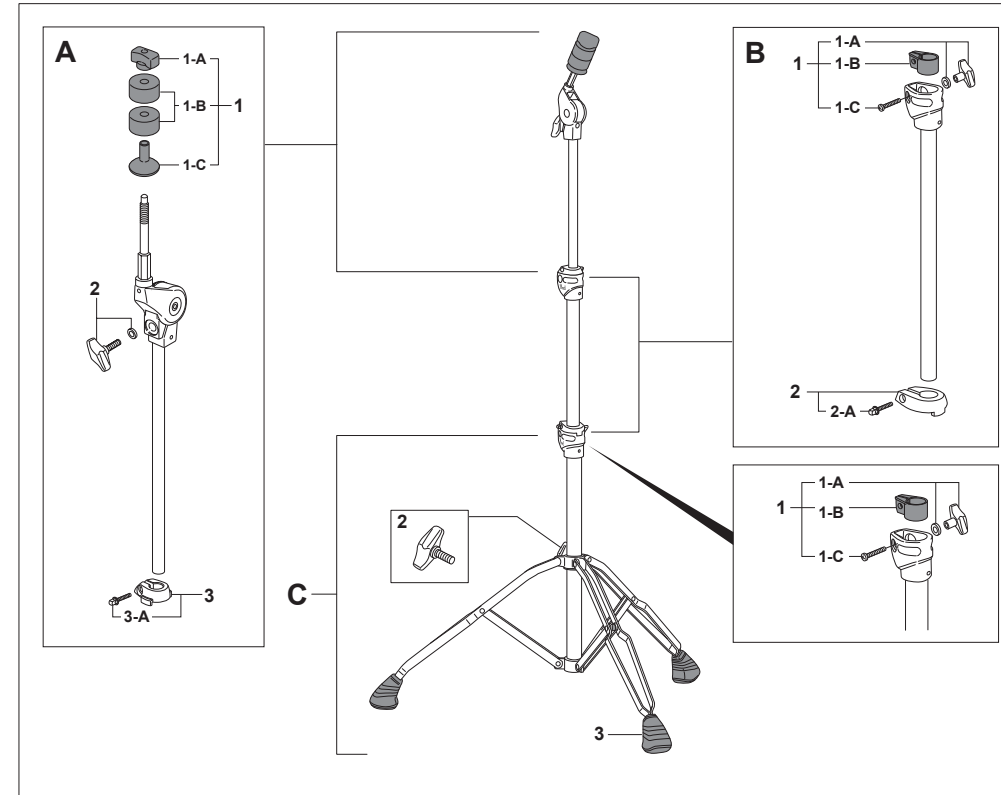
## C-790



- A UT-C79 Upper Tube Assy. Complete**  
 1 PL-10BA Upper Tilter Section Complete  
 1-A PL-10 Plastic Cymbal Nut  
 1-B FL-79 Felt Washer (one each)  
 1-C PL-11 Cymbal Seat Cup  
 2 SN-800A Bolt & Nut Set w/Spring  
 2-A UGN-8 Die-Cast Wing Nut w/Washer  
 2-B SP-32 Spring  
 2-C SC-36B Clamp Bolt  
 3 SN-890 Tilter Unit
- B BA-79 Base Assy. Complete**  
 1 DJ-07A Die-Cast Joint Assy. Complete  
 1-A UGB-815A Die-Cast Wing Bolt  
 1-B SB-44 Allen Screw  
 2 UGB-815A Die-Cast Wing Bolt  
 3 PL-34 Rubber Tip (one each)

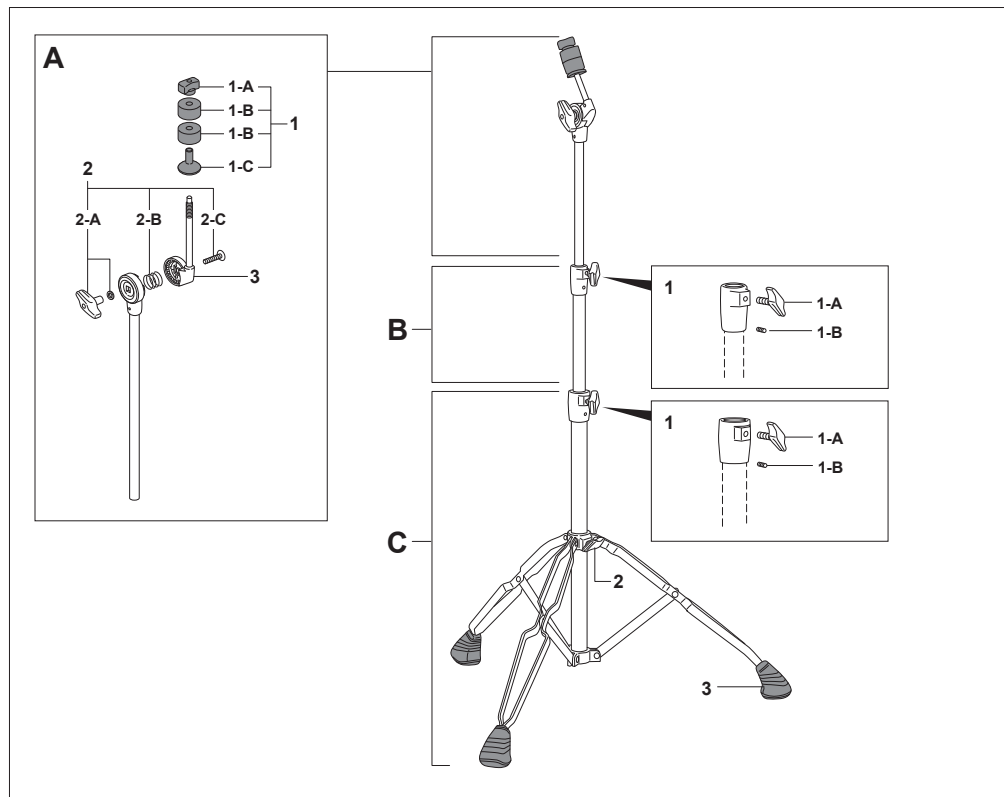
# CYMBAL STANDS

## C-900



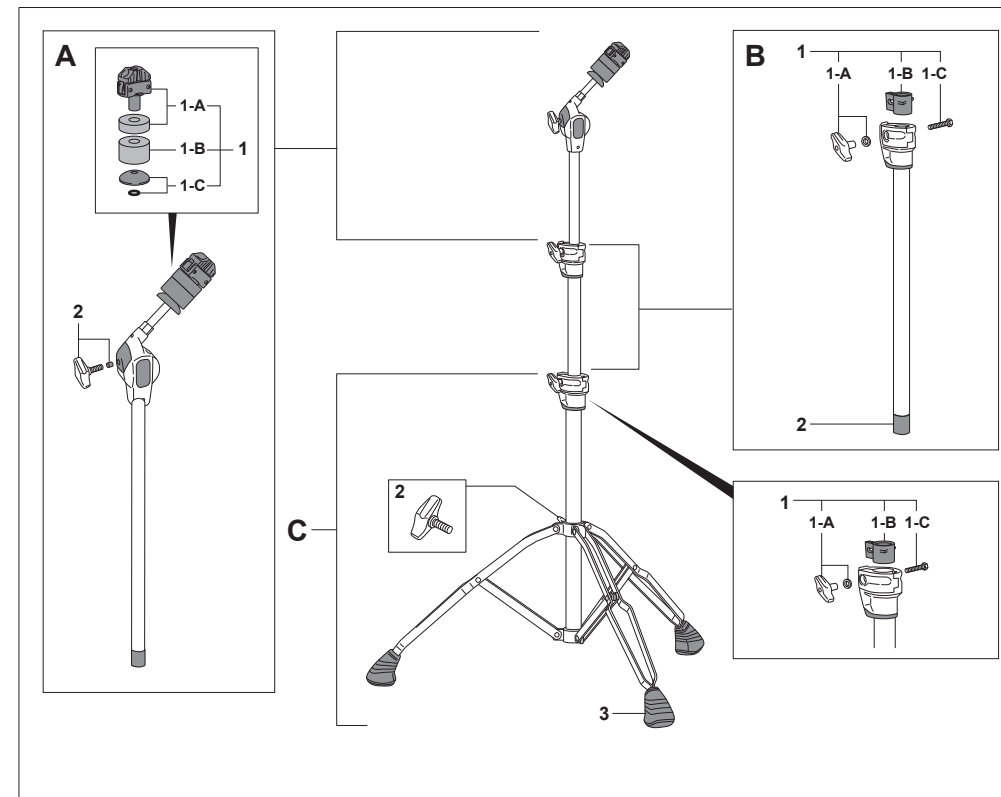
- A UT-C90 Upper Tube Assy. Complete**  
 1 PL-10A Upper Tilter Section Complete  
 1-A PL-10 Plastic Cymbal Nut  
 1-B FE-18K Felt Washer (one each)  
 1-C PL-11 Cymbal Seat Cup  
 2 UGB-830 Die-Cast Wing Bolt w/Washer  
 3 ZD-75A Stop Lock Complete  
 3-A KB-620 Key Bolt
- B CT-90 Center Tube Assy. Complete**  
 1 PJ-90S Die-Cast Joint Assy. Complete  
 1-A UGN-6C Die-Cast Wing Nut w/Collar  
 1-B PL-09 Nylon Bushing  
 1-C SC-392 Clamp Bolt  
 2 ZD-24A Stop Lock Complete  
 2-A KB-625 Key Bolt
- C BA-90 Base Assy. Complete**  
 1 PJ-90L Die-Cast Joint Assy. Complete  
 1-A UGN-6C Die-Cast Wing Nut w/Collar  
 1-B PL-08 Nylon Bushing  
 1-C SC-392 Clamp Bolt  
 2 UGB-815 Die-Cast Wing Bolt  
 3 RB-8 Rubber Tip (one each)

## C-890



- A UT-C89 Upper Tube Assy. Complete**  
 1 PL-10A Upper Tilter Section Complete  
 1-A PL-10 Plastic Cymbal Nut  
 1-B FE-18K Felt Washer (one each)  
 1-C PL-11 Cymbal Seat Cup  
 2 SN-800A Bolt & Nut Set w/Spring  
 2-A UGN-8 Die-Cast Wing Nut w/Washer  
 2-B SP-32 Spring  
 2-C SC-36B Clamp Bolt  
 3 SN-890 Tilter Unit
- B CT-89 Center Tube Assy. Complete**  
 1 DJ-55A Die-Cast Joint Assy. Complete  
 1-A UGB-815 Die-Cast Wing Bolt  
 1-B SB-44 Allen Screw
- C BA-89 Base Assy. Complete**  
 1 DJ-75A Die-Cast Joint Assy. Complete  
 1-A UGB-815 Die-Cast Wing Bolt  
 1-B SB-44 Allen Screw  
 2 UGB-815 Die-Cast Wing Bolt  
 3 RB-8 Rubber Tip (one each)

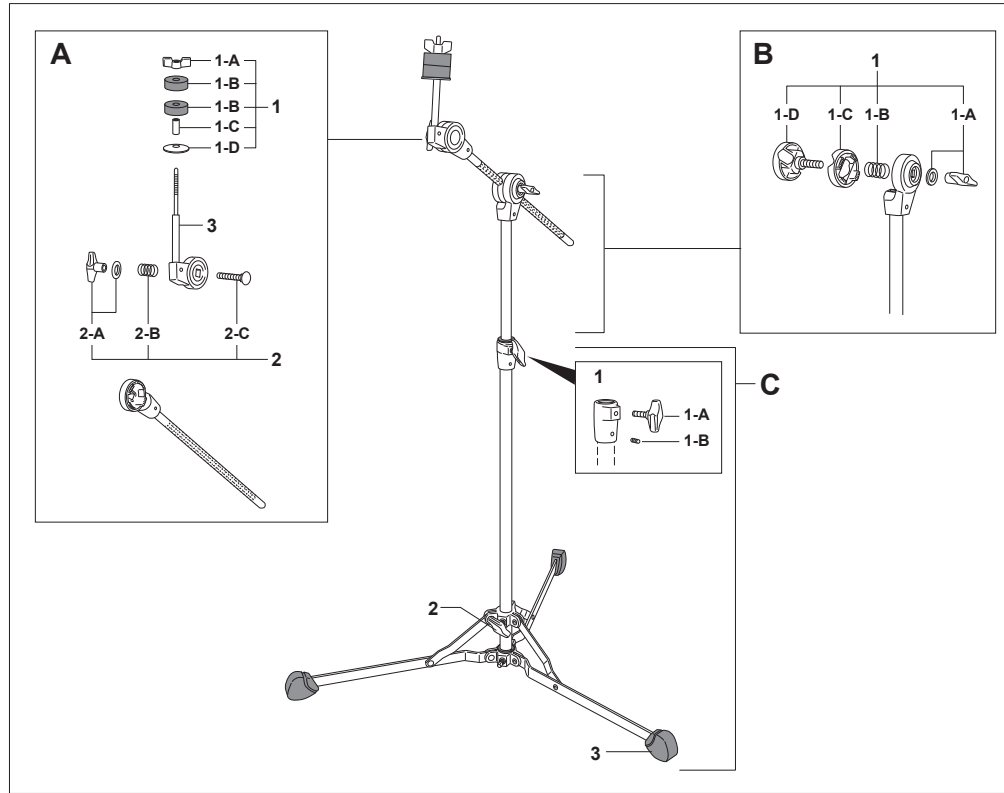
## C-1000



- A C-100A Upper Tube Assy. Complete**  
 1 WL-200A WingLoc Assy. Complete  
 1-A WL-200 WingLoc Quick Release Wing Nut w/Felt  
 1-B FE-18K Felt Washer  
 1-C RC-20 Reversible Seat Cup w/O-Ring  
 2 UGB-815P Die-Cast Wing Bolt w/Pin
- B CP-100A Center Tube Assy. Complete**  
 1 DJ-500 Die-Cast Joint Assy. Complete  
 1-A UGN-6 Die-Cast Wing Nut w/Washer  
 1-B NP-367 Nylon Bushing  
 1-C SC-169 Clamp Bolt  
 2 NP-376 Plastic Tip
- C BA-100BW Base Assy. Complete**  
 1 DJ-700 Die-Cast Joint Assy. Complete  
 1-A UGN-6 Die-Cast Wing Nut w/Washer  
 1-B NP-366 Nylon Bushing  
 1-C SC-169 Clamp Bolt  
 2 UGB-815 Die-Cast Wing Bolt  
 3 R-22N Rubber Tip (one each)

# FLAT BASE STAND

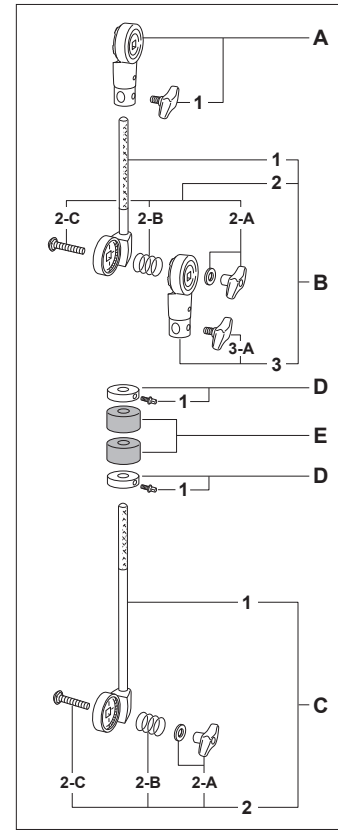
## BC-100S



- A ME-716AC Boom Assy. Complete**  
 1 FL-100AN Upper Tilter Section Complete  
 1-A M-8W Die-Cast Wing Nut  
 1-B FE-18K Felt Washer (one each)  
 1-C NP-70 Plastic Sleeve  
 1-D PR-135 Cup Washer  
 2 SN-800A Bolt & Nut Set w/Spring  
 2-A UGN-8 Die-Cast Wing Nut w/Washer  
 2-B SP-32 Spring  
 2-C SC-36B Clamp Bolt  
 3 SN-800N Tilter Unit
- B TU-80BC Upper Tube Assy. Complete**  
 1 BC-80BC Boom Clamp Assy. Complete  
 1-A UGN-8 Die-Cast Wing Nut w/Washer  
 1-B SP-32 Spring  
 1-C DC-530 Clamp Gear Link  
 1-D DC-529A Boom Clamp Bolt
- C BA-100S Base Assy. Complete**  
 1 DJ-06A Die-Cast Joint Assy. Complete  
 1-A UGB-815 Die-Cast Wing Bolt  
 1-B SB-44 Allen Screw  
 2 UGB-815 Die-Cast Wing Bolt  
 3 NP-454 Rubber Tip (one each)

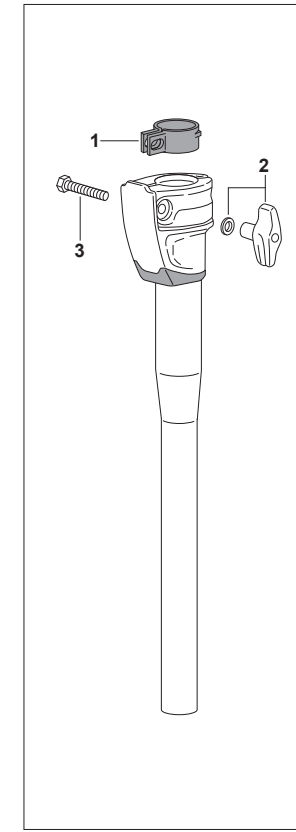
# CYMBAL HOLDERS

## CST-80



- A DC-497A Tilter Base Assy.**  
 1 UGB-610 Die-Cast Wing Bolt
- B TLCS-80S Tilter Rod Assy. Complete, Short**  
 1 ME-531SA Tilter Rod, Short  
 2 SN-800A Bolt & Nut Set w/Spring  
 2-A UGN-8 Die-Cast Wing Nut w/Washer  
 2-B SP-32 Spring  
 2-C SC-36B Clamp Bolt  
 3 DC-497A Tilter Base Assy.  
 3-A UGB-610 Die-Cast Wing Bolt
- C TLCS-80L Tilter Rod Assy. Complete, Long**  
 1 ME-531LA Tilter Rod, Long  
 2 SN-800A Bolt & Nut Set w/Spring  
 2-A UGN-8 Die-Cast Wing Nut w/Washer  
 2-B SP-32 Spring  
 2-C SC-36B Clamp Bolt
- D ME-532A Lock Spacer, Complete (one set)**  
 1 KB-615 Key Bolt
- E FE-18K Felt Washer (one each)**

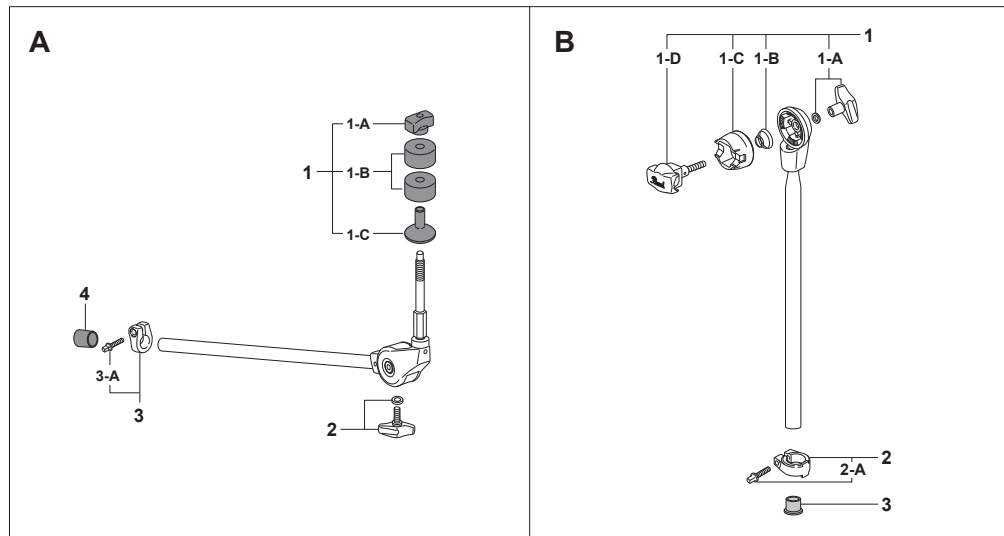
## TX-100 Tube Extender



- 1 NP-366 Nylon Bushing  
 2 UGN-6 Die-Cast Wing Nut w/Washer  
 3 SC-169 Clamp Bolt

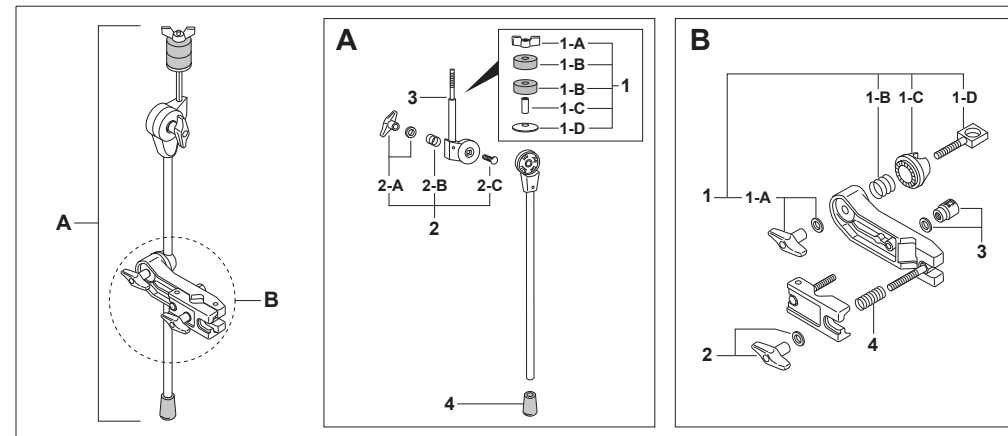
# CYMBAL HOLDERS

## CH-900



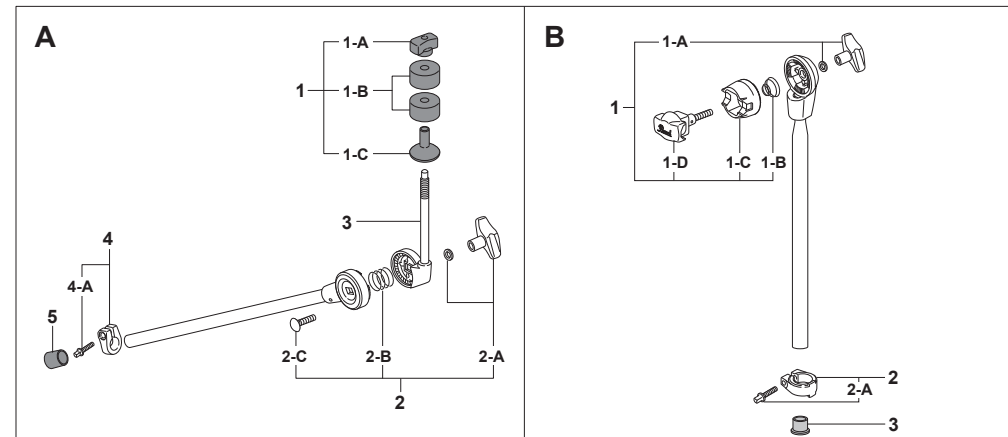
- A AA-B90 Boom Assy. Complete**  
 1 PL-10A Upper Tilter Section Complete  
 1-A PL-10 Plastic Cymbal Nut  
 1-B FE-18K Felt Washer (one each)  
 1-C PL-11 Cymbal Seat Cup  
 2 UGB-830 Die-Cast Wing Bolt w/Washer  
 3 ZD-16A Stop Lock Complete  
 3-A KB-620 Key Bolt  
 4 NP-71 Plastic Tip
- B TU-90A Tube Assy. Complete**  
 1 BC-B90 Boom Clamp Assy. Complete  
 1-A UGN-8 Die-Cast Wing Nut w/Washer  
 1-B SP-27 Spring  
 1-C ZD-14 Clamp Gear Link  
 1-D ZD-15A Boom Clamp Bolt  
 2 SX-2N Stop Lock Complete  
 2-A KB-625 Key Bolt  
 3 NP-164 Plastic End Cap

## CH-70



- A B-75AN Boom Assy. Complete**  
 1 FL-80AN Upper Tilter Section Complete  
 1-A M-8W Die-Cast Wing Nut  
 1-B FE-18K Felt Washer (one each)  
 1-C NP-70 Plastic Sleeve  
 1-D PR-135 Cup Washer  
 2 SN-800A Bolt & Nut Set w/Spring  
 2-A UGN-8 Die-Cast Wing Nut w/Washer  
 2-B SP-32 Spring  
 2-C SC-36B Clamp Bolt  
 3 SN-800N Tilter Unit  
 4 NP-72 Plastic Tip
- B CA-70A Clamp Assy. Complete**  
 1 BC-70AN Boom Clamp Assy. Complete  
 1-A UGN-8 Die-Cast Wing Nut w/Washer  
 1-B SP-32 Spring  
 1-C DC-335 Clamp Gear Link  
 1-D ME-67 Boom Clamp Bolt  
 2 UGN-8 Die-Cast Wing Nut w/Washer  
 3 M-8RN Knurled Round Nut w/Washer  
 4 SP-26 Spring

## CH-890

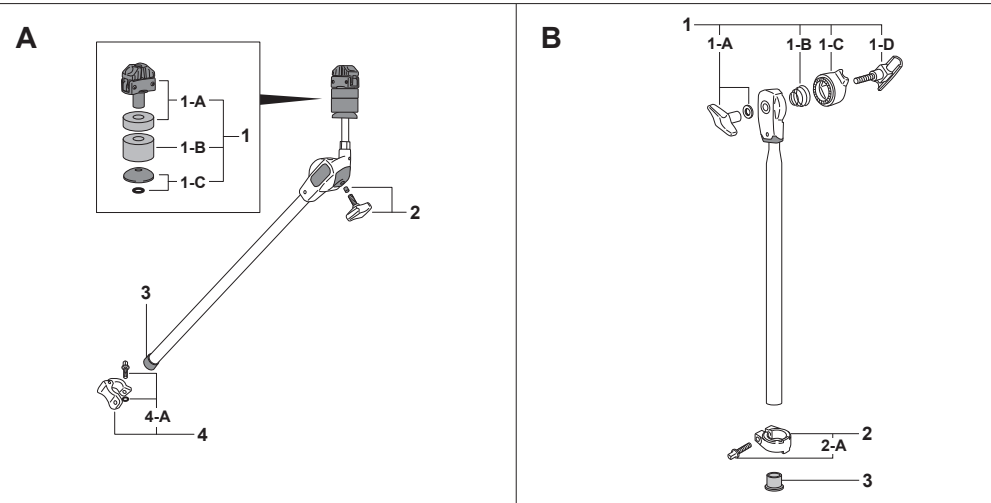


- A AA-B89 Boom Assy. Complete**  
 1 PL-10A Upper Tilter Section Complete  
 1-A PL-10 Plastic Cymbal Nut  
 1-B FE-18K Felt Washer (one each)  
 1-C PL-11 Cymbal Seat Cup  
 2 SN-800A Bolt & Nut Set w/Spring  
 2-A UGN-8 Die-Cast Wing Nut w/Washer  
 2-B SP-32 Spring  
 2-C SC-36B Clamp Bolt  
 3 SN-890 Tilter Unit  
 4 ZD-16A Stop Lock Complete  
 4-A KB-620 Key Bolt  
 5 NP-71 Plastic Tip
- B TU-90A Tube Assy. Complete**  
 1 BC-B90 Boom Clamp Assy. Complete  
 1-A UGN-8 Die-Cast Wing Nut w/Washer  
 1-B SP-27 Spring  
 1-C ZD-14 Clamp Gear Link  
 1-D ZD-15A Boom Clamp Bolt  
 2 SX-2N Stop Lock Complete  
 2-A KB-625 Key Bolt  
 3 NP-164 Plastic End Cap



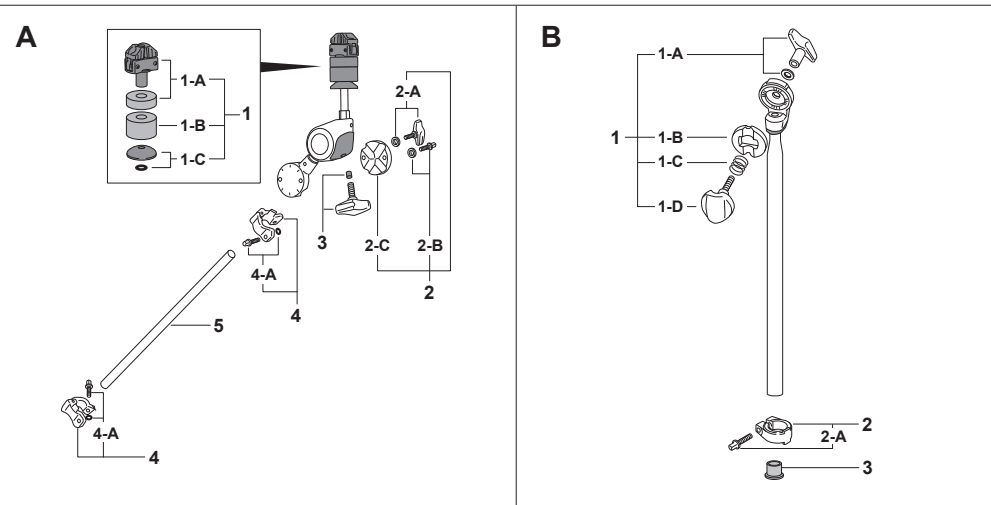
# CYMBAL HOLDERS

## CH-1000



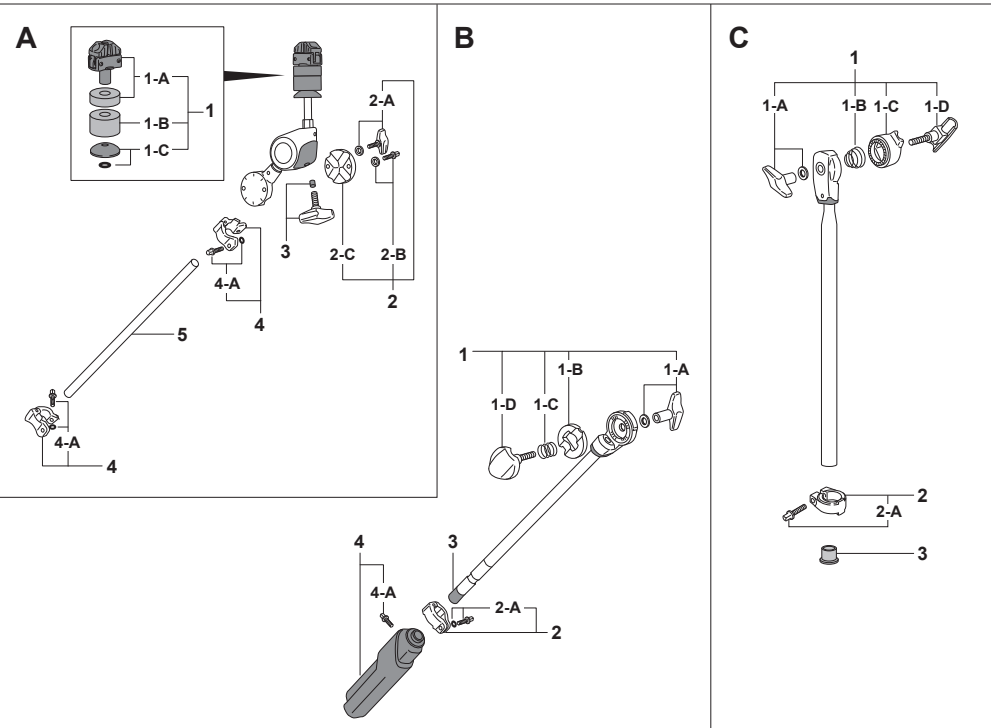
- A B-100A Boom Assy. Complete**  
 1 WL-200A WingLoc Assy. Complete  
 1-A WL-200 WingLoc Quick Release Wing Nut w/Felt  
 1-B FE-18K Felt Washer  
 1-C RC-20 Reversible Seat Cup w/O-Ring  
 2 UGB-815P Die-Cast Wing Bolt w/Pin  
 3 NP-71 Plastic Tip  
 4 DC-625A Stop Lock Complete  
 4-A KB-615WO Key Bolt w/O-Ring
- B TU-200A Tube Assy. Complete**  
 1 BC-100A Boom Clamp Assy. Complete  
 1-A UGN-8L Die-Cast Wing Nut w/Washer  
 1-B SP-27N Spring  
 1-C DC-594 Clamp Gear Link  
 1-D DC-596A Boom Clamp Bolt  
 2 SX-2N Stop Lock Complete  
 2-A KB-625 Key Bolt  
 3 NP-164 Plastic End Cap

## CH-2000S



- A B-200A Upper Boom Assy. Complete**  
 1 WL-200A WingLoc Assy. Complete  
 1-A WL-200 WingLoc Quick Release Wing Nut w/Felt  
 1-B FE-18K Felt Washer  
 1-C RC-20 Reversible Seat Cup w/O-Ring  
 2 DC-634AN Clamp Assy. Complete  
 2-A UGB-620 Die-Cast Wing Bolt w/Washer  
 2-B KB-620W Key Bolt w/Washer  
 2-C DC-634N Clamp Plate  
 3 UGB-815P Die-Cast Wing Bolt w/Pin  
 4 DC-627AN Stop Lock Complete  
 4-A KB-615WO Key Bolt w/O-Ring  
 5 ME-651 Knurled Boom Arm
- B B-200BS Tube Assy. Complete**  
 1 BC-200A Boom Clamp Assy. Complete  
 1-A UGN-8L Die-Cast Wing Nut w/Washer  
 1-B DC-630N Clamp Gear Link  
 1-C SP-32 Spring  
 1-D DC-595A Boom Clamp Bolt  
 2 SX-2N Stop Lock Complete  
 2-A KB-625 Key Bolt  
 3 NP-164 Plastic End Cap

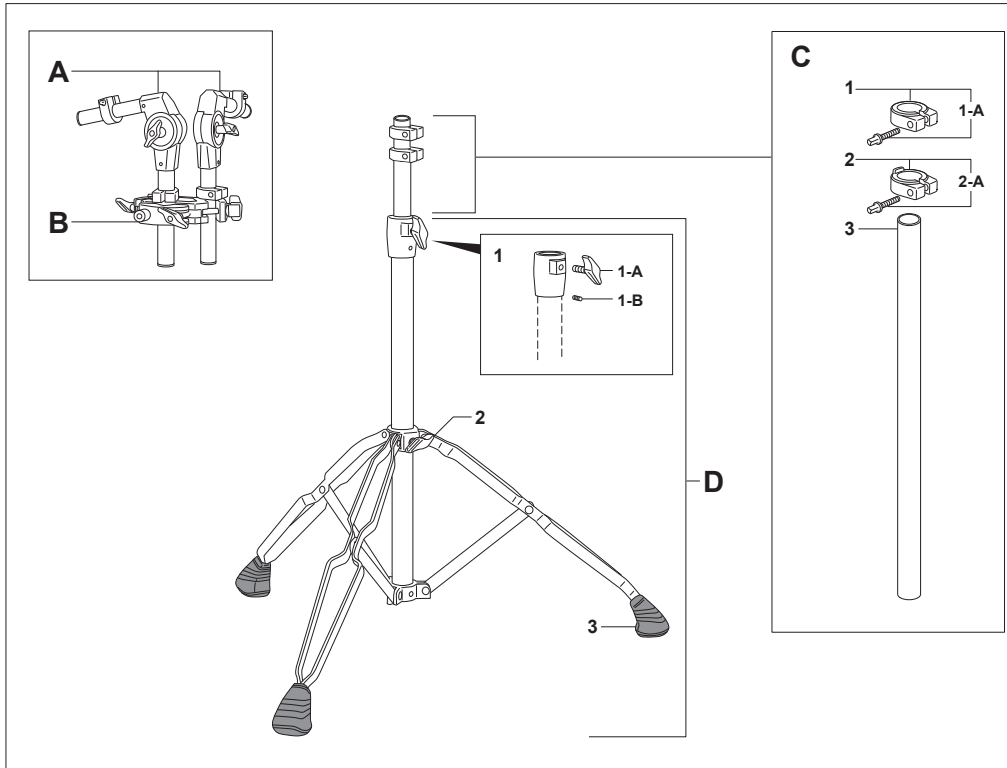
## CH-2000



- A B-200A Upper Boom Assy. Complete**  
 1 WL-200A WingLoc Assy. Complete  
 1-A WL-200 WingLoc Quick Release Wing Nut w/Felt  
 1-B FE-18K Felt Washer  
 1-C RC-20 Reversible Seat Cup w/O-Ring  
 2 DC-634AN Clamp Assy. Complete  
 2-A UGB-620 Die-Cast Wing Bolt w/Washer  
 2-B KB-620W Key Bolt w/Washer  
 2-C DC-634N Clamp Plate  
 3 UGB-815P Die-Cast Wing Bolt w/Pin  
 4 DC-627AN Stop Lock Complete  
 4-A KB-615WO Key Bolt w/O-Ring  
 5 ME-651 Knurled Boom Arm
- B B-200B Lower Boom Assy. Complete**  
 1 BC-200AN Boom Clamp Assy. Complete  
 1-A UGN-8 Die-Cast Wing Nut w/Washer  
 1-B DC-630N Clamp Gear Link  
 1-C SP-32 Spring  
 1-D DC-595A Boom Clamp Bolt  
 2 DC-625A Stop Lock Complete  
 2-A KB-615WO Key Bolt w/O-Ring  
 3 NP-430 Rubber Tip  
 4 NP-373A Boom Arm Counterweight w/Key Bolt  
 4-A KB-615 Key Bolt
- C TU-200A Tube Assy. Complete**  
 1 BC-100A Boom Clamp Assy. Complete  
 1-A UGN-8L Die-Cast Wing Nut w/Washer  
 1-B SP-27N Spring  
 1-C DC-594 Clamp Gear Link  
 1-D DC-596A Boom Clamp Bolt  
 2 SX-2N Stop Lock Complete  
 2-A KB-625 Key Bolt  
 3 NP-164 Plastic End Cap

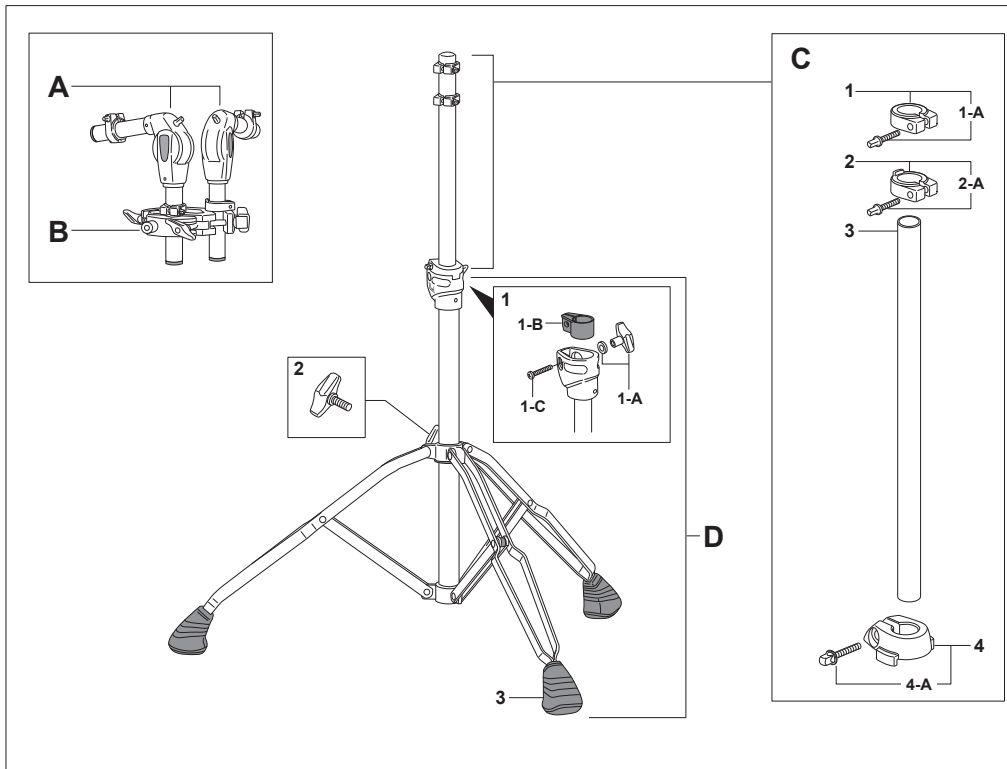
# TOM STANDS

## T-890



- A TH-88S Tom Holder, Short (one each)**
- B ADP-30 Adapter - Please refer to the Adapter section.**
- C UT-T89 Upper Tube Assy. Complete**  
 1 SX-2NS Stop Lock Complete  
 1-A KB-625 Key Bolt  
 2 SX-2N Stop Lock Complete  
 2-A KB-625 Key Bolt  
 3 TU-90T Upper Tube ONLY
- D BA-89 Base Assy. Complete**  
 1 PJ-75A Die-Cast Joint Assy. Complete  
 1-A UGB-815 Die-Cast Wing Bolt  
 1-B SB-44 Allen Screw  
 2 UGB-815 Die-Cast Wing Bolt  
 3 RB-8 Rubber Tip (one each)

## T-900

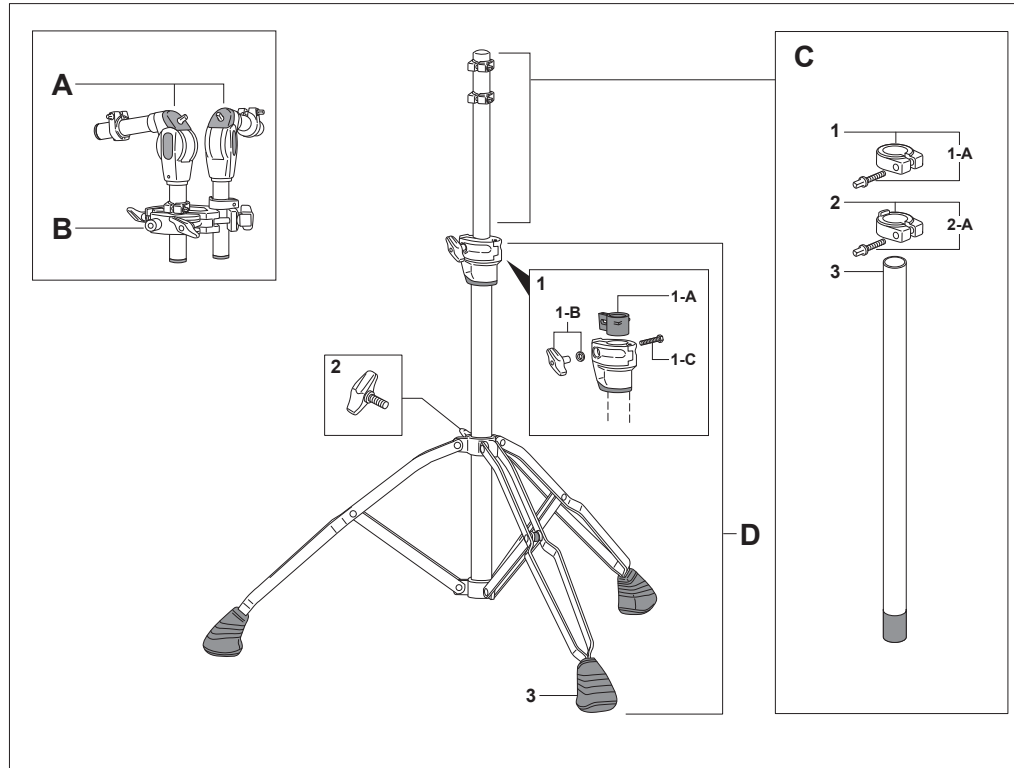


- A TH-900S Tom Holder, Short (one each)**
- B ADP-30 Adapter - Please refer to the Adapter section.**
- C UT-T90 Upper Tube Assy. Complete**  
 1 SX-2NS Stop Lock Complete  
 1-A KB-625 Key Bolt  
 2 SX-2N Stop Lock Complete  
 2-A KB-625 Key Bolt  
 3 TU-90T Upper Tube ONLY  
 4 ZD-24A Stop Lock Complete  
 4-A KB-625 Key Bolt
- D BA-90 Base Assy. Complete**  
 1 PJ-90L Die-Cast Joint Assy. Complete  
 1-A UGN-6C Die-Cast Wing Nut w/Collar  
 1-B PL-08 Nylon Bushing  
 1-C SC-392 Clamp Bolt  
 2 UGB-815 Die-Cast Wing Bolt  
 3 RB-8 Rubber Tip (one each)



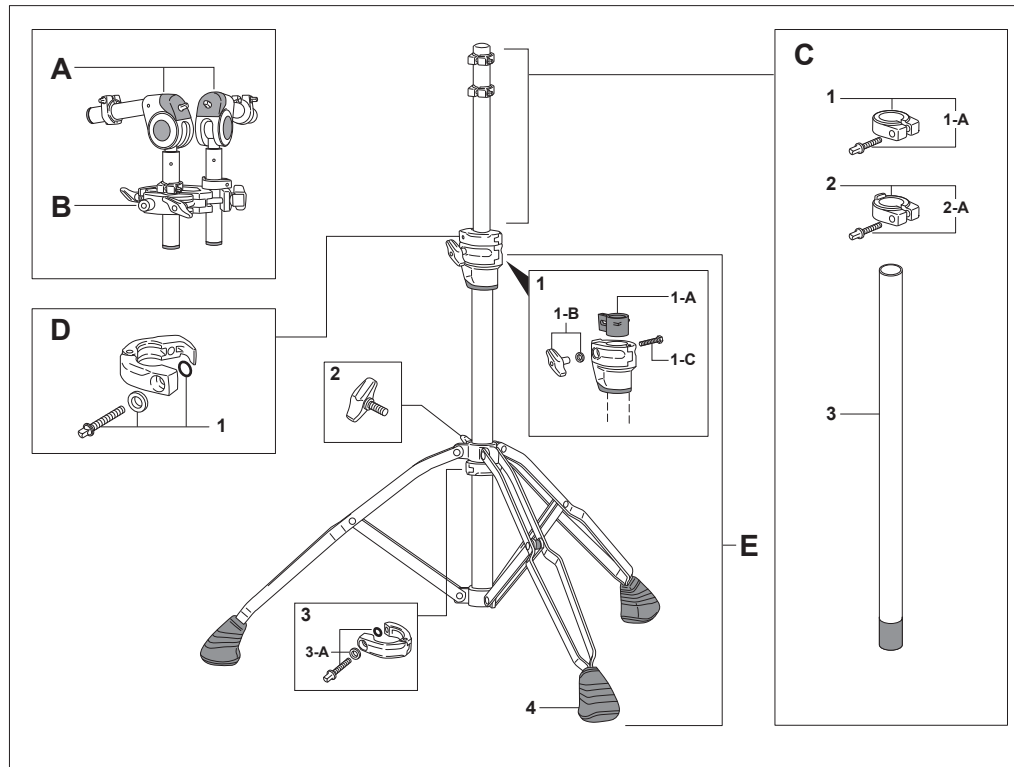
# TOM STANDS

## T-1000



- A TH-1000S Tom Holder, Short (one each)**
- B ADP-30 Adapter — Please refer to the Adapter section.**
- C T-80A Upper Tube Assy. Complete**
  - 1 SX-2NS Stop Lock Complete
  - 1-A KB-625 Key Bolt
  - 2 SX-2N Stop Lock Complete
  - 2-A KB-625 Key Bolt
  - 3 TU-98T Upper Tube ONLY
- D BA-100BW Base Assy. Complete**
  - 1 DJ-700 Die-Cast Joint Assy. Complete
  - 1-A NP-366 Nylon Bushing
  - 1-B UGN-6 Die-Cast Wing Nut w/Washer
  - 1-C SC-169 Clamp Bolt
  - 2 UGB-815 Die-Cast Wing Bolt
  - 3 R-22N Rubber Tip (one each)

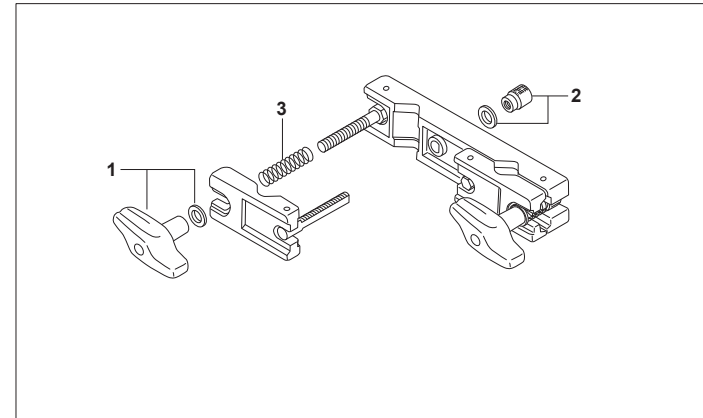
## T-2000



- A TH-2000S Tom Holder, Short (one each)**
- B ADP-30 Adapter - Please refer to the Adapter section.**
- C T-80A Upper Tube Assy. Complete**
  - 1 SX-2NS Stop Lock Complete
  - 1-A KB-625 Key Bolt
  - 2 SX-2N Stop Lock Complete
  - 2-A KB-625 Key Bolt
  - 3 TU-98T Upper Tube ONLY
- D DC-576A Stop Lock Complete**
  - 1 KB-625WO Key Bolt w/Washer & O-Ring
- E BA-200BN Base Assy. Complete**
  - 1 DJ-700 Die-Cast Joint Assy. Complete
  - 1-A NP-366 Nylon Bushing
  - 1-B UGN-6 Die-Cast Wing Nut w/Washer
  - 1-C SC-169 Clamp Bolt
  - 2 UGB-815 Die-Cast Wing Bolt
  - 3 DC-582A Stop Lock Complete
  - 3-A KB-625WO Key Bolt w/Washer & O-Ring
  - 4 R-22N Rubber Tip (one each)

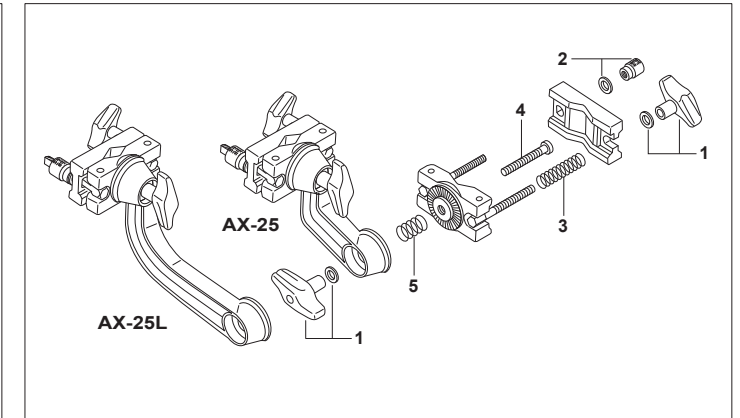
# ADAPTERS

## AX-20



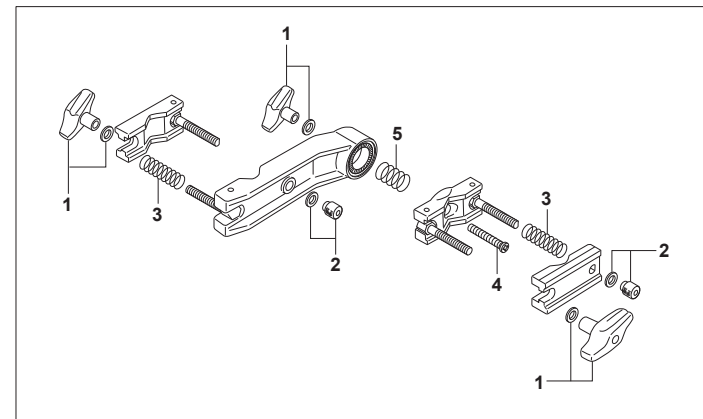
- 1 UGN-8 Die-Cast Wing Nut w/Washer (one set)
- 2 M-8RN Knurled Round Nut w/Washer
- 3 SP-26 Spring

## AX-25/AX-25L



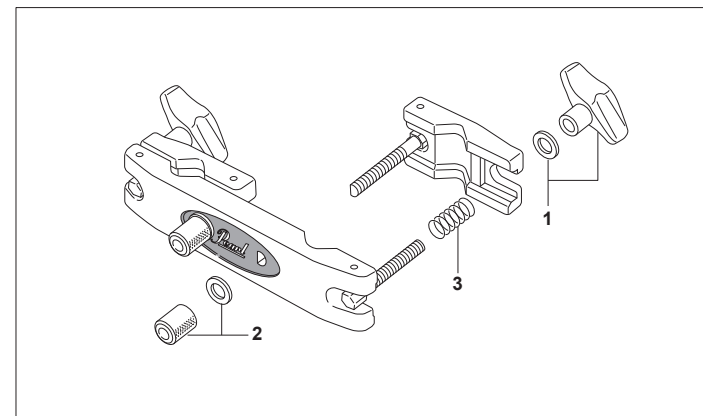
- 1 UGN-8 Die-Cast Wing Nut w/Washer (one set)
- 2 M-8RN Knurled Round Nut w/Washer
- 3 SP-26 Spring
- 4 SC-144 Center Bolt
- 5 SP-36 Spring

## AX-28



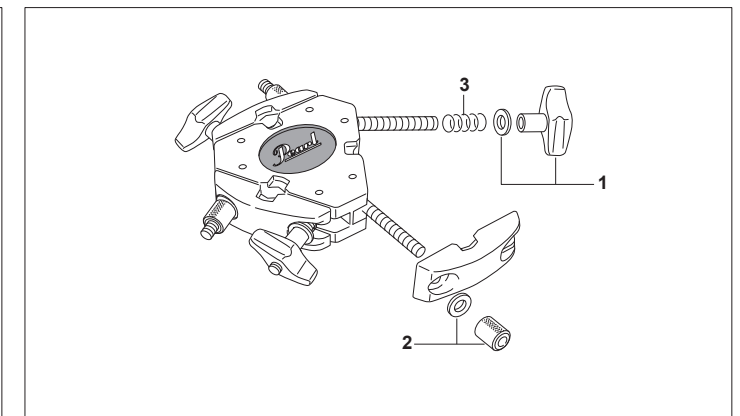
- 1 UGN-8 Die-Cast Wing Nut w/Washer (one set)
- 2 M-8RN Knurled Round Nut w/Washer (one each)
- 3 SP-26 Spring (one each)
- 4 SC-144 Center Bolt
- 5 SP-36 Spring

## ADP-20



- 1 UGN-8 Die-Cast Wing Nut w/Washer (one set)
- 2 M-8RN Knurled Round Nut w/Washer
- 3 SP-26 Spring

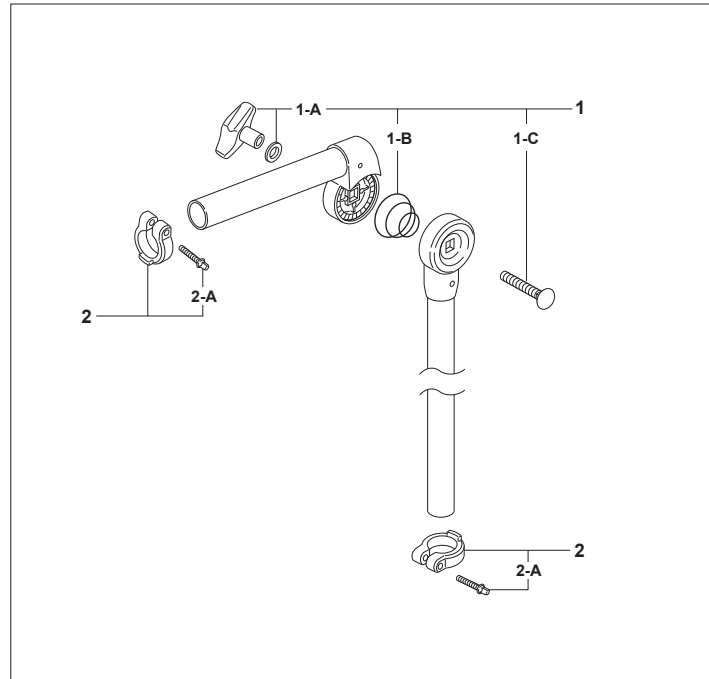
## ADP-30



- 1 UGN-8 Die-Cast Wing Nut w/Washer (one set)
- 2 M-8RN Knurled Round Nut w/Washer
- 3 SP-26 Spring

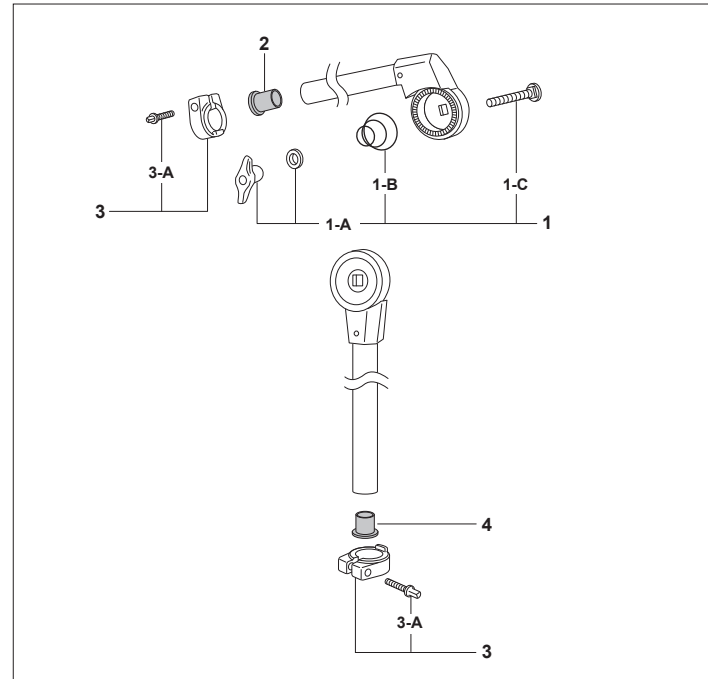
# TOM HOLDERS

## TH-70



- 1 SN-85A Bolt & Nut Set w/Spring
- 1-A UGN-8 Die-Cast Wing Nut w/Washer
- 1-B SP-27 Spring
- 1-C SC-36B Clamp Bolt
- 2 SX-70 Stop Lock Complete (one set)
- 2-A KB-625 Key Bolt

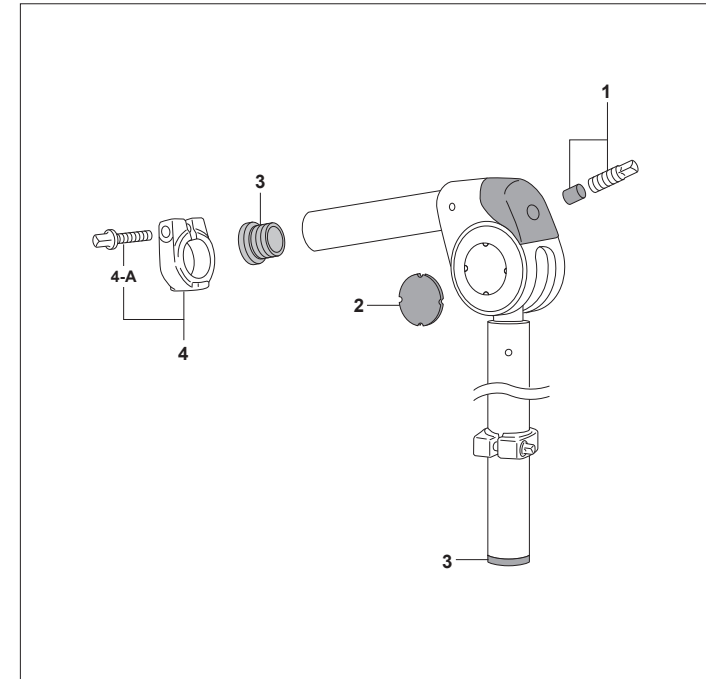
## TH-88 / 88S / 88I



- 1 SN-85A Bolt & Nut Set w/Spring
- 1-A UGN-8 Die-Cast Wing Nut w/Washer
- 1-B SP-27 Spring
- 1-C SC-36B Clamp Bolt
- 2 NP-164 Plastic End Cap
- 3 SX-2N Stop Lock Complete (one set)
- 3-A KB-625 Key Bolt
- 4 NP-164 Plastic End Cap

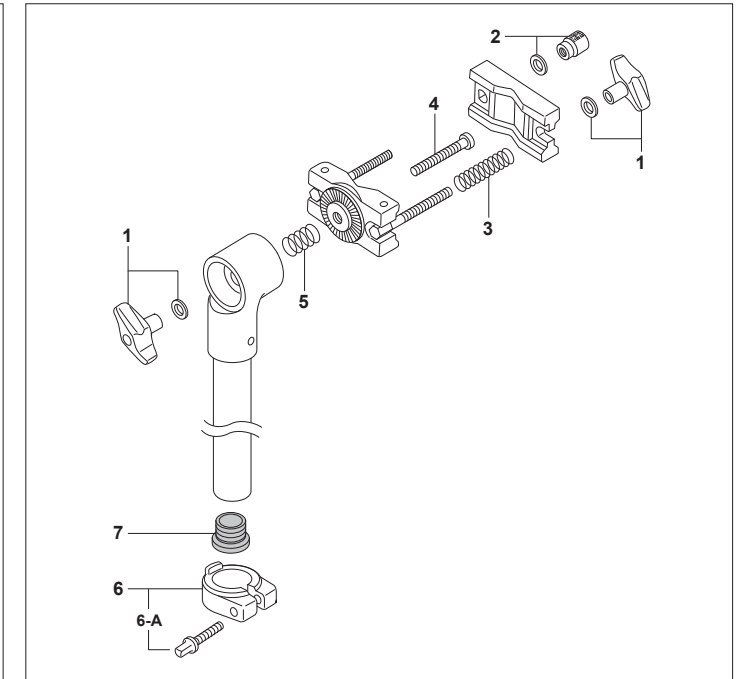
# TOM HOLDERS

## TH-2000 / 2000I / 2000S



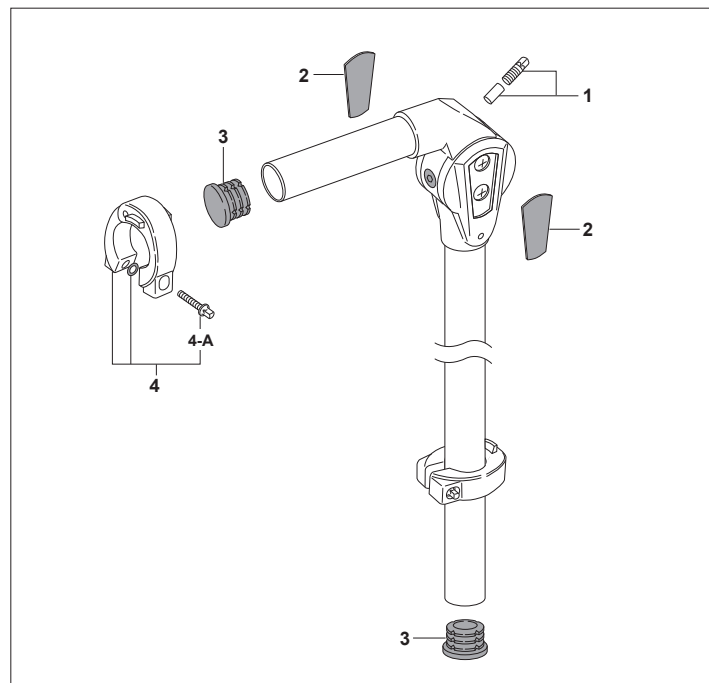
- 1 KB-814P Key Bolt w/Pin
- 2 B-GL-1 Logo Plate (one each)
- 3 NP-164 Plastic End Cap (one each)
- 4 SX-2N Stop Lock Complete (one set)
- 4-A KB-625 Key Bolt

## UX-80



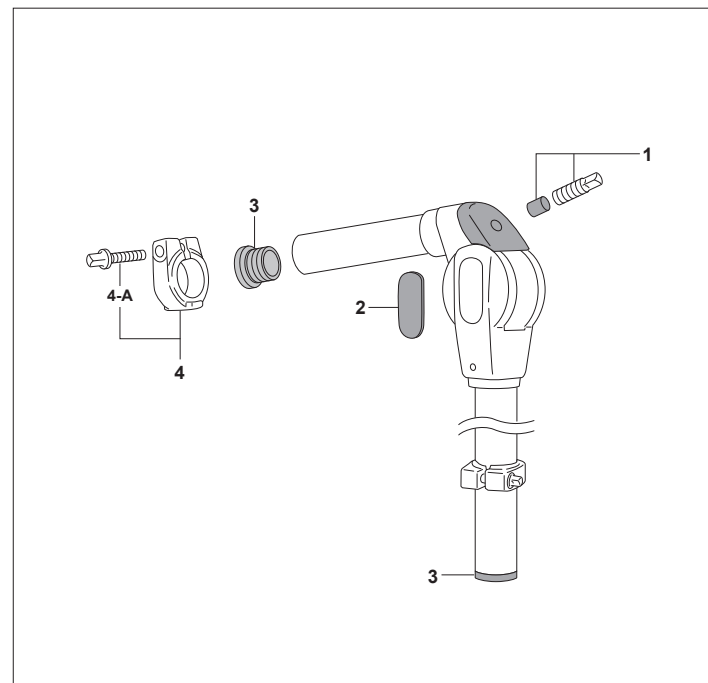
- 1 UGN-8 Die-Cast Wing Nut w/Washer (one set)
- 2 M-8RN Knurled Round Nut w/Washer
- 3 SP-26 Spring
- 4 SC-144 Center Bolt
- 5 SP-36 Spring
- 6 SX-2N Stop Lock Complete
- 6-A KB-625 Key Bolt
- 7 NP-164 Plastic End Cap

## TH-900I / 900S



- 1 KB-821P Key Bolt w/Pin
- 2 LGS-5 Logo Plate (one each)
- 3 NP-164 Plastic End Cap (one each)
- 4 RSP-22TN Stop Lock Complete (one set)
- 4-A KB-625 Key Bolt

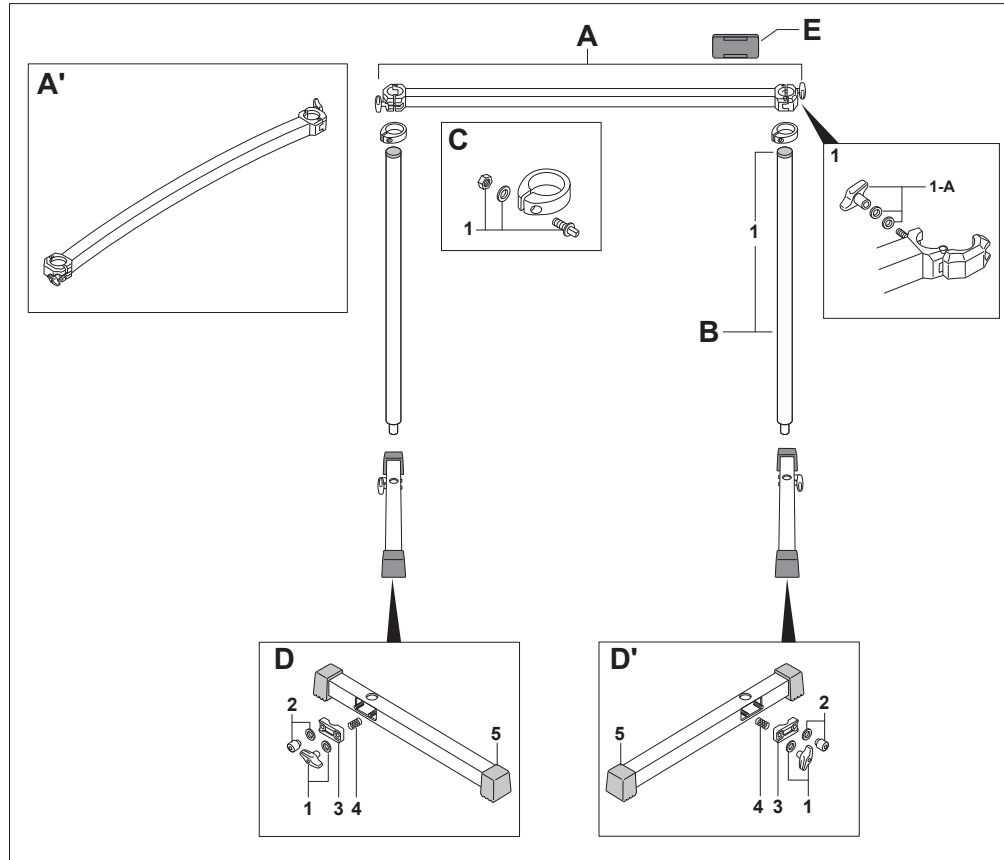
## TH-1000 / 1000I / 1000S



- 1 KB-821P Key Bolt w/Pin
- 2 B-UL-1 Logo Plate (one each)
- 3 NP-164 Plastic End Cap (one each)
- 4 SX-2N Stop Lock Complete (one set)
- 4-A KB-625 Key Bolt

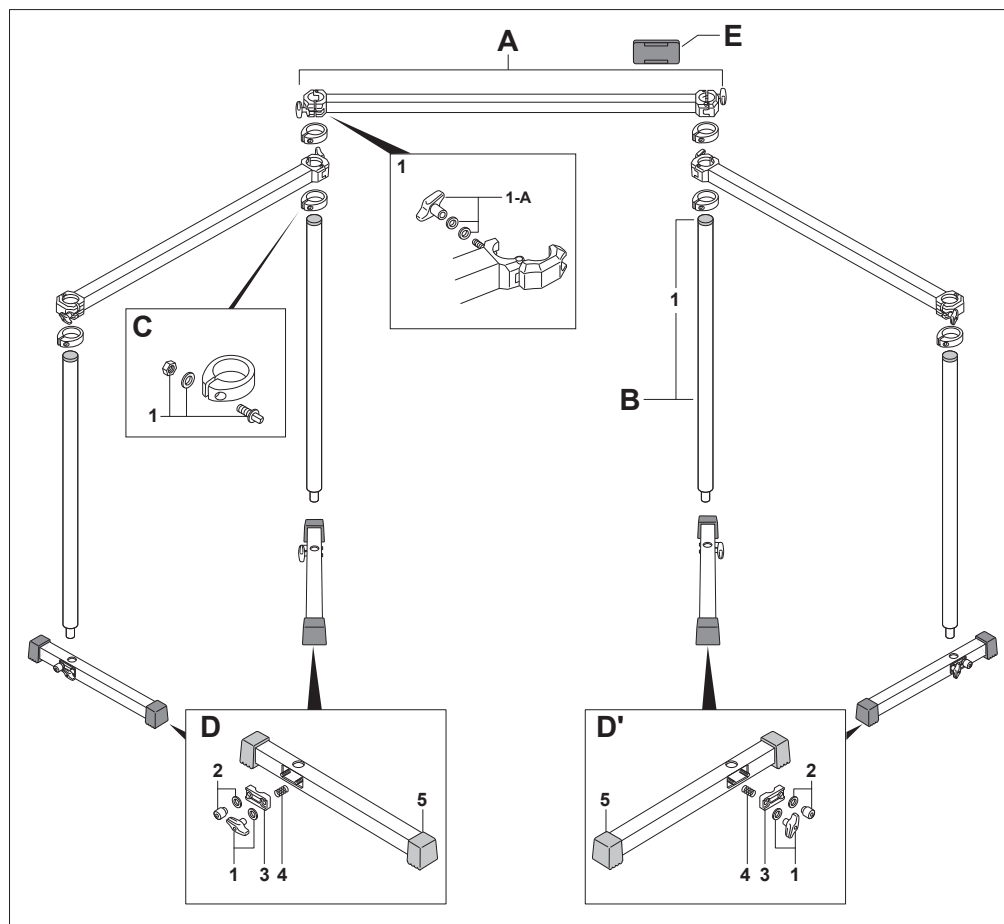
# DRUM RACKS

## DR-501/501C/501E/501CE



- A AL-18A Straight Rack Bar Complete**
- 1 DC-424A Die-Cast Clamp Assy. Complete
- 1-A UGN-8W Die-Cast Wing Nut w/Washers
- A' AL-28AC Curved Rack Bar Complete**
- B PP-176A Steel Leg**
- 1 NP-338 Plastic Cap
- C DC-426A Stop Lock Complete**
- 1 KB-625A Key Bolt w/Washer & Hexagonal Nut
- D PP-189LA Floor Bar Assy. Complete**
- 1 UGN-8 Die-Cast Wing Nut w/Washer
- 2 M-8RN Knurled Round Nut w/Washer
- 3 DC-366 Die-Cast Link
- 4 SP-45 Spring
- 5 NP-188 Rubber Foot (one each)
- D' PP-189RA Floor Bar Assy. Complete**
- 1 UGN-8 Die-Cast Wing Nut w/Washer
- 2 M-8RN Knurled Round Nut w/Washer
- 3 DC-366 Die-Cast Link
- 4 SP-45 Spring
- 5 NP-188 Rubber Foot (one each)
- E NP-394 Clip on Logo**

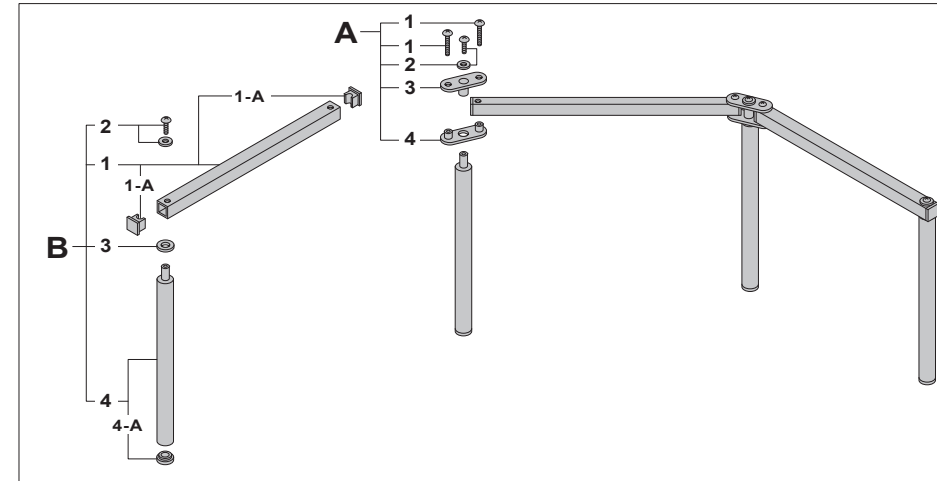
## DR-503



- A AL-18A Straight Rack Bar Complete**
- 1 DC-424A Die-Cast Clamp Assy. Complete
- 1-A UGN-8W Die-Cast Wing Nut w/Washers
- B PP-176A Steel Leg**
- 1 NP-338 Plastic Cap
- C DC-426A Stop Lock Complete**
- 1 KB-625A Key Bolt w/Washer & Hexagonal Nut
- D PP-189LA Floor Bar Assy. Complete (Left Side)**
- 1 UGN-8 Die-Cast Wing Nut w/Washer
- 2 M-8RN Knurled Round Nut w/Washer
- 3 DC-366 Die-Cast Link
- 4 SP-45 Spring
- 5 NP-188 Rubber Foot (one each)
- D' PP-189RA Floor Bar Assy. Complete (Right Side)**
- 1 UGN-8 Die-Cast Wing Nut w/Washer
- 2 M-8RN Knurled Round Nut w/Washer
- 3 DC-366 Die-Cast Link
- 4 SP-45 Spring
- 5 NP-188 Rubber Foot (one each)
- E NP-394 Clip on Logo**

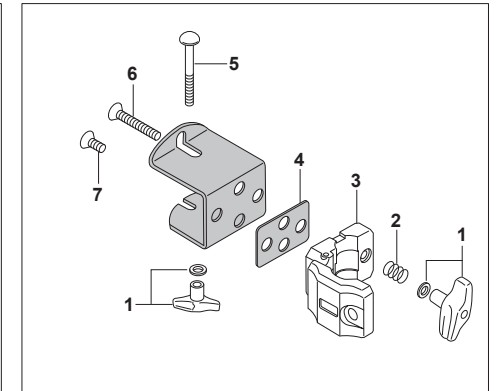
# DRUM RACKS, PIPE CLAMPS, RACK JOINT

## DR-80



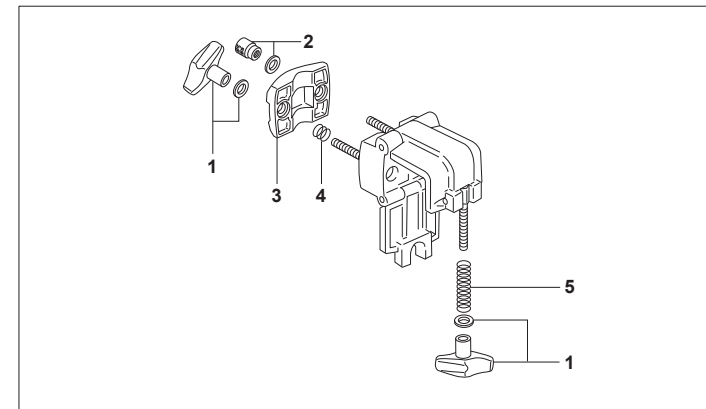
- A DR-JC1 Joint Assy. Complete**
- 1 SC-204 Bolt (Long) (one each)
- 2 SC-228 Bolt w/Washer (Short)
- 3 LKP-7 Upper Link Plate w/Leg Bracket
- 4 LKP-4 Lower Link Plate w/Nuts
- B DR-008 Expansion Unit Complete**
- 1 AL-13 Bar w/End Caps
- 1-A NP-162 End Cap (one each)
- 2 SC-228 Bolt w/Washer (Short)
- 3 PR-282 Leg Spacer
- 4 120N Leg w/Leg Cap
- 4-A NP-163 Leg Cap

## PC-8



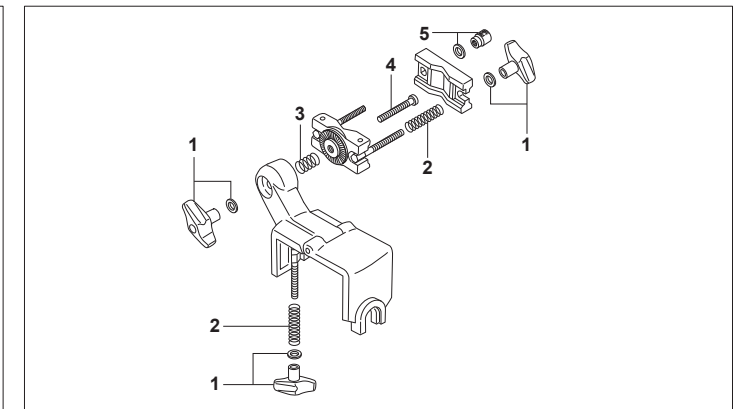
- 1 UGN-8 Die-Cast Wing Nut w/Washer (one each)
- 2 SP-45S Spring
- 3 DC-422A Hinged Clamp ONLY
- 4 GA-45N Gasket
- 5 SC-160 Carriage Bolt
- 6 SC-205 Clamp Bolt, Long
- 7 SC-279 Clamp Bolt, Short

## PCX-100



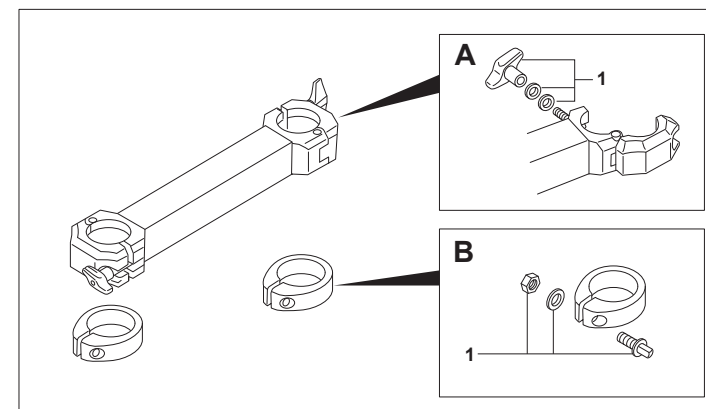
- 1 UGN-8 Die-Cast Wing Nut w/Washer (one set)
- 2 M-8RN Knurled Round Nut w/Washer
- 3 DC-587 Die-Cast Link
- 4 SP-45S Spring
- 5 SP-26 Spring

## PCX-200



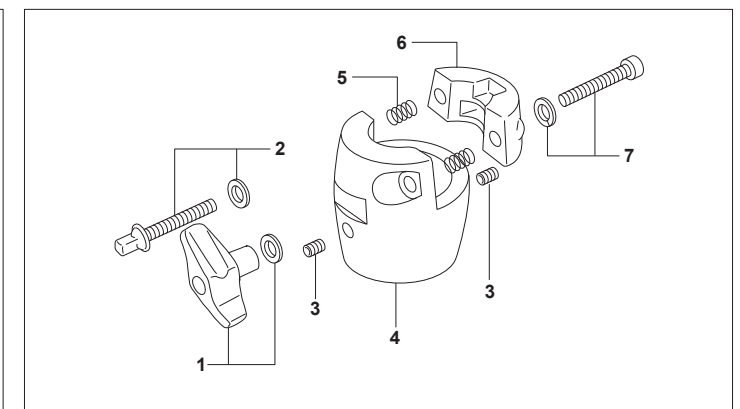
- 1 UGN-8 Die-Cast Wing Nut w/Washer (one set)
- 2 SP-26 Spring
- 3 SP-36 Spring
- 4 SC-144 Center Bolt
- 5 M-8RN Knurled Round Nut w/Washer

## RJ-50 Rack Joint



- A DC-424A Die-Cast Clamp Assy. Complete**
- 1 UGN-8W Die-Cast Wing Nut w/Washers
- B DC-426A Stop Lock Complete**
- 1 KB-625A Key Bolt w/Washer & Hexagonal Nut

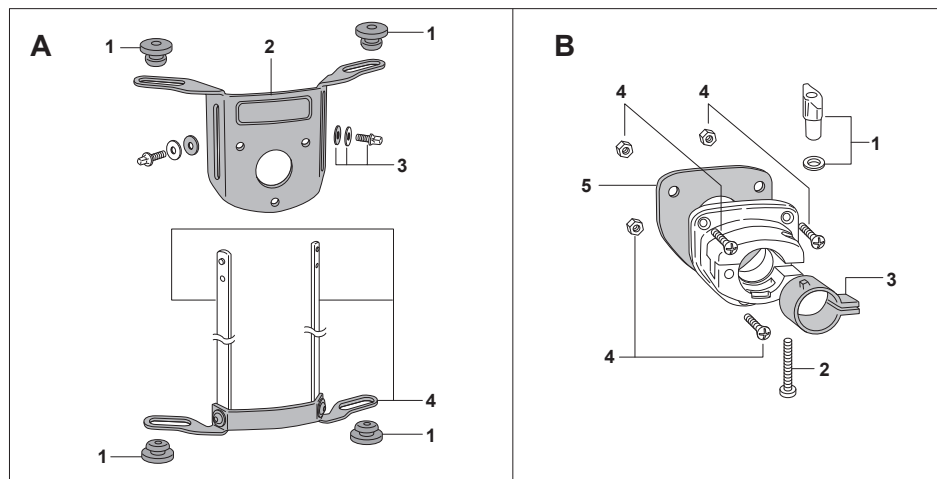
## PCL-100



- 1 UGN-6W Die-Cast Wing Nut w/Washer
- 2 SC-57W Key Bolt w/Washer
- 3 SB-66 Allen Screw (one each)
- 4 DC-544 Pipe Bracket
- 5 SP-33 Spring (one each)
- 6 DC-545 Clamp Bracket
- 7 SC-341W Bolt w/Washer

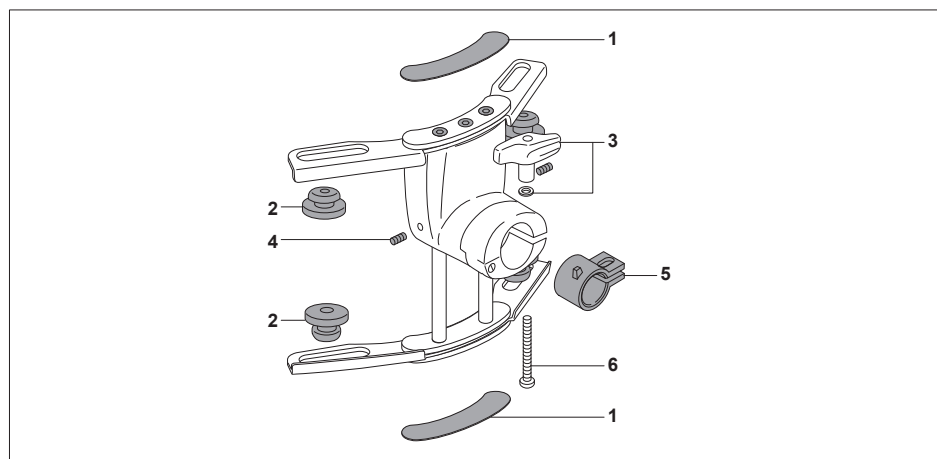
# OPTIMOUNT, I.S.S.

## Optimount Suspension System



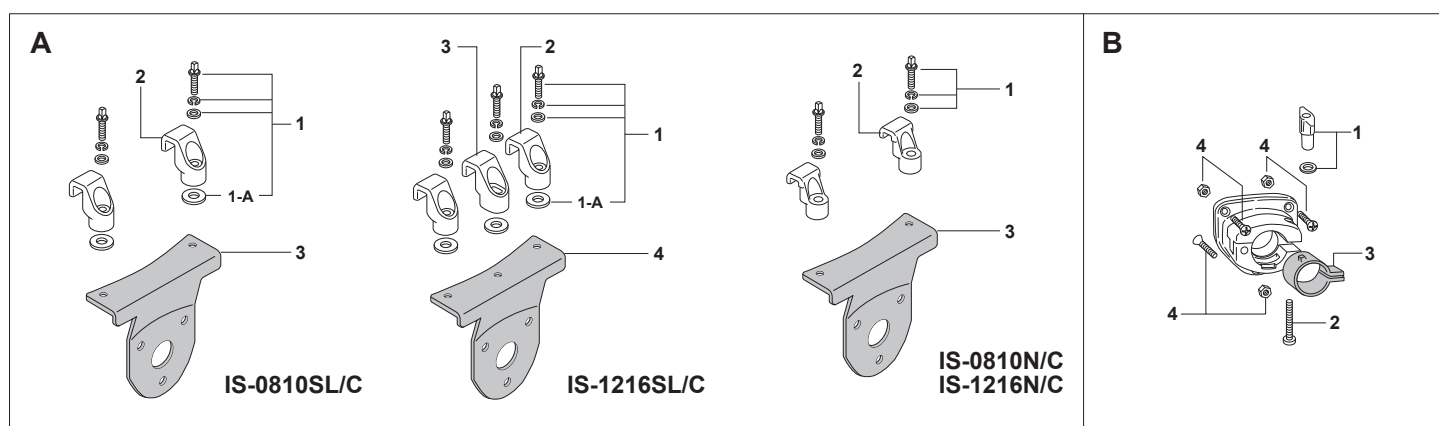
- A**
- OPT-78 Optimount w/o BT-3 (for OPT-0708)
  - OPT-91 Optimount w/o BT-3 (for OPT-0910)
  - OPT-112 Optimount w/o BT-3 (for OPT-1112)
  - OPT-134 Optimount w/o BT-3 (for OPT-1314)
  - OPT-156 Optimount w/o BT-3 (for OPT-1516)
- 1 NP-265 Mounting Rubber (one each)  
 2 PR-528 Bracket Mounting Plate ONLY  
 3 KB-615WB Key Bolt w/Washers  
 4 PR-529A Lower Mounting Plate Assy. \* (for OPT-0708)  
 PR-530A Lower Mounting Plate Assy. \* (for OPT-0910)  
 PR-531A Lower Mounting Plate Assy. \* (for OPT-1112)  
 PR-532A Lower Mounting Plate Assy. \* (for OPT-1314)  
 PR-537A Lower Mounting Plate Assy. \* (for OPT-1516) (one set)
- \* (Includes Lower Mounting Plate and 1pr. connecting struts ONLY)
- B** **BT-3-OPT Mounting Bracket**
- 1 UGN-6 Die-Cast Wing Nut w/Washer
  - 2 SC-68 Clamp Bolt
  - 3 NP-65 Nylon Bushing
  - 4 IS-MS Mounting Screw & Nut (one set)
  - 5 NP-260P Gasket

## Aluminum Optimount Suspension System



- 1 DDC-OPTA Logo Sticker
- 2 NP-419 Rubber Grommet (one each)
- 3 UGN-6 Die-Cast Wing Nut w/Washer
- 4 SB-66 Allen Screw (one each)
- 5 NP-420 Nylon Bushing
- 6 SC-68 Clamp Bolt

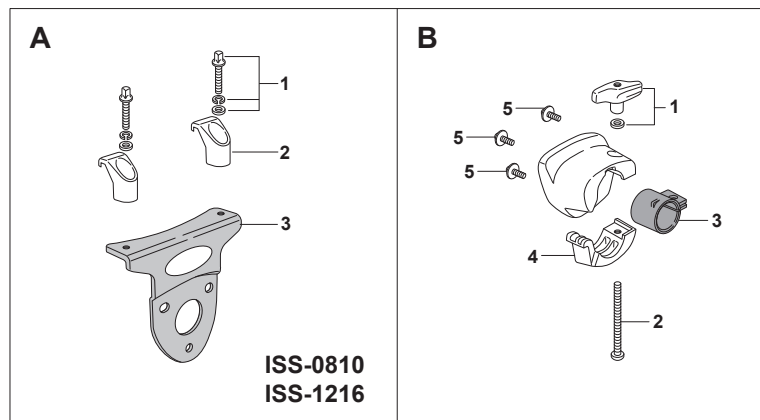
## Integrated Suspension System (I.S.S.)



- A** **IS-0810SL/C I.S.S. for 8"-10" 2.3mm Super Hoop**
- 1 KB-625WN Key Bolt w/Washers (one set)
  - WS-5A Washer ONLY (one each)
  - 1-A WS-5A Washer ONLY (one each)
  - 2 DC-385 Rim Hook (one each)
  - PR-347N Bracket Mounting Plate
- A** **IS-1216SL/C I.S.S. for 12"-16" 2.3mm Super Hoop**
- 1 KB-625WN Key Bolt w/Washers (one set)
  - WS-5A Washer ONLY (one each)
  - 1-A WS-5A Washer ONLY (one each)
  - 2 DC-385 Rim Hook Outside (one each)
  - DC-386 Rim Hook Middle
  - PR-346 Bracket Mounting Plate
- B** **BT-3-ISS Mounting Bracket (for I.S.S.)**
- 1 UGN-6 Die-Cast Wing Nut w/Washer
  - SC-68 Clamp Bolt
  - NP-65 Nylon Bushing
  - IS-MS Mounting Screw & Nut (one set)

- A** **IS-0810N/C I.S.S. for 8"-10" 1.6mm Regular Hoop**
- 1 KB-625WN Key Bolt w/Washers (one set)
  - DC-472 Rim Hook (one each)
  - PR-347N Bracket Mounting Plate
- A** **IS-1216N/C I.S.S. for 12"-16" 1.6mm Regular Hoop**
- 1 KB-625WN Key Bolt w/Washers (one set)
  - DC-472 Rim Hook (one each)
  - PR-346N Bracket Mounting Plate
- B** **BT-3-ISS Mounting Bracket (for I.S.S.)**
- 1 UGN-6 Die-Cast Wing Nut w/Washer
  - SC-68 Clamp Bolt
  - NP-65 Nylon Bushing
  - IS-MS Mounting Screw & Nut (one set)

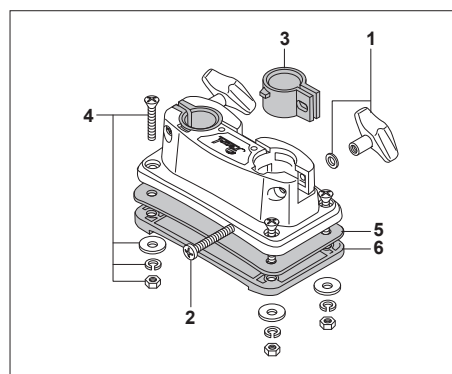
## Integrated Suspension System (I.S.S.) for VISION



- A** **IS-0810/C I.S.S. for 8"-10" 1.6mm Regular Hoop**
- 1 KB-625WN Key Bolt w/Washers (one set)
  - 2 ZD-57NF Rim Hook (one each)
  - 3 SBP-0810B Bracket Mounting Plate
- A** **IS-1216/C I.S.S. for 12"-16" 1.6mm Regular Hoop**
- 1 KB-625WN Key Bolt w/Washers (one set)
  - 2 ZD-57NF Rim Hook (one each)
  - 3 SBP-1216B Bracket Mounting Plate
- B** **BT-300-ISS Mounting Bracket (for I.S.S.)**
- 1 UGN-6 Die-Cast Wing Nut w/Washer
  - 2 SC-394 Clamp Bolt
  - 3 PL-20 Nylon Bushing
  - 4 ZD-48 Clamp
  - 5 SM-512 Mounting Screw w/Washer (one each)

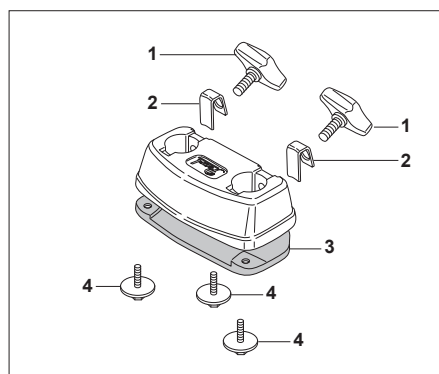
# TOM HOLDER BASES, BRACKETS

### BB-3



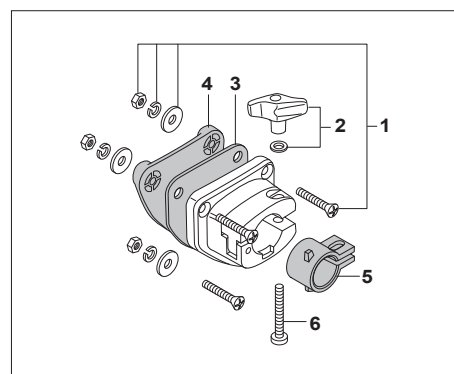
- 1 UGN-6 Die-Cast Wing Nut w/Washer (one set)
- 2 SC-68 Clamp Bolt (one each)
- 3 NP-65 Nylon Bushing (one each)
- 4 B-MS Mounting Screw, Washers & Nut (one set)
- 5 NP-259P Rubber Gasket
- 6 NP-185 Set Plate

### BB-70



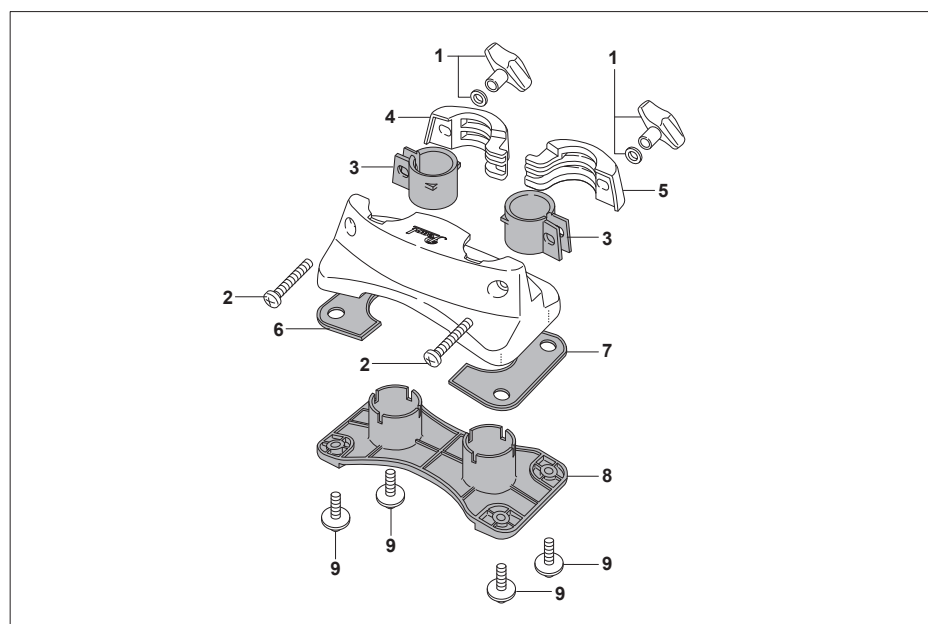
- 1 UGB-815A Die-Cast Wing Bolt (one each)
- 2 PR-618 Steel Bracket (one each)
- 3 NP-611 Set Plate
- 4 SC-233R Mounting Screw w/Washer (one each)

### BT-3



- 1 T-MS Mounting Screw, Washers & Nut (one set)
- 2 UGN-6 Die-Cast Wing Nut w/Washer
- 3 NP-260P Gasket
- 4 NP-186 Set Plate
- 5 NP-65 Nylon Bushing
- 6 SC-68 Clamp Bolt

### BB-300/C

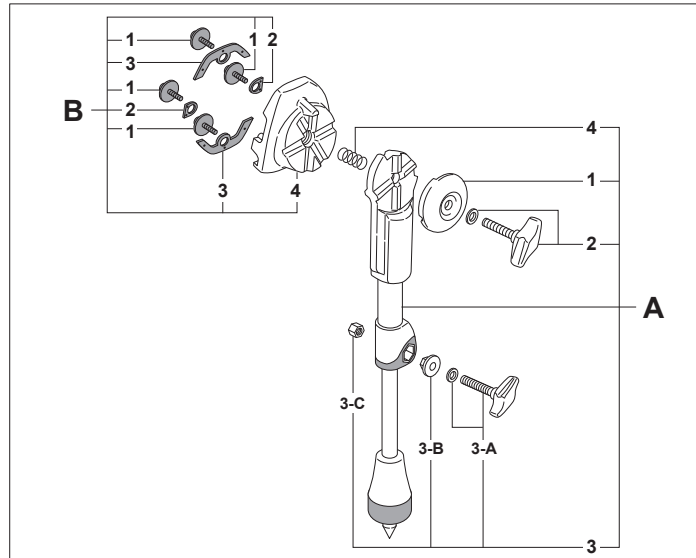


- 1 UGN-6 Die-Cast Wing Nut w/Washer (one set)
- 2 SC-394 Clamp Bolt (one each)
- 3 PL-20 Nylon Bushing (one each)
- 4 ZD-43 Clamp, Right Side
- 5 ZD-44 Clamp, Left Side
- 6 PL-26 Rubber Gasket, Left Side for 22" & 24"
- 7 PL-24 Rubber Gasket, Left Side for 20"
- 8 PL-27 Rubber Gasket, Right Side for 22" & 24"
- 9 PL-25 Rubber Gasket, Right Side for 20"
- 10 PL-23 Set Plate
- 11 SC-425R Mounting Screw w/Washer (6 ply-one each)
- 12 SC-413R Mounting Screw w/Washer (8 ply-one each)



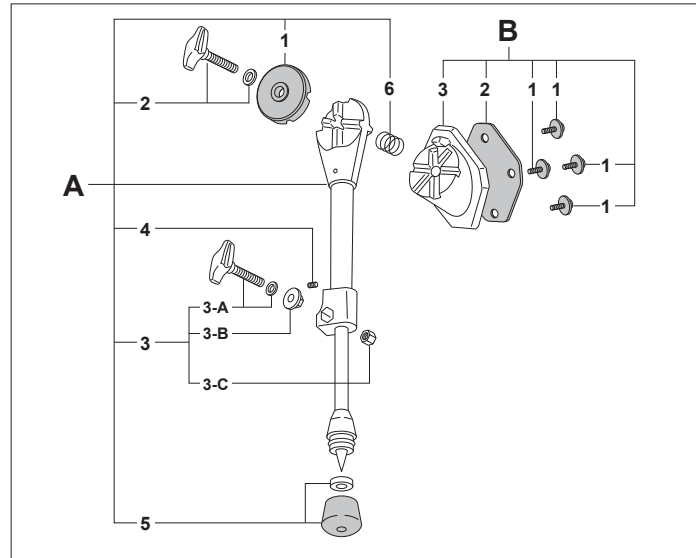
# BASS DRUM SPURS

## SP-300



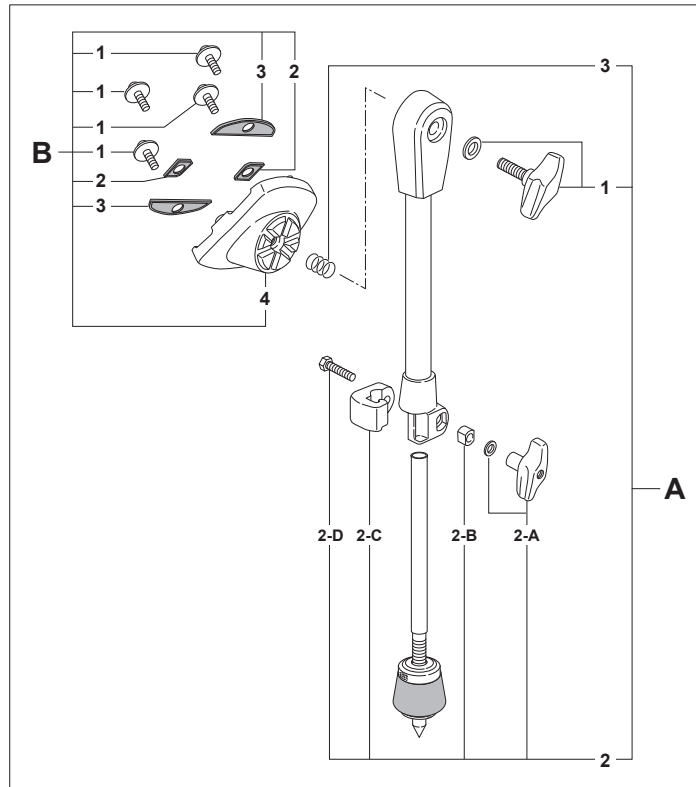
- |          |                |                             |          |                |  |
|----------|----------------|-----------------------------|----------|----------------|--|
| <b>A</b> | <b>SP-300A</b> | <b>Spur Assy. Complete</b>  | <b>B</b> | <b>SPB-300</b> | <b>Spur Bracket Complete</b>             |
| 1        | DC-667         | Outer Cap                   | 1        | SM-512B        | Mounting Screw w/Washer (6 ply-one each) |
| 2        | UGB-835        | Die-Cast Wing Bolt w/Washer |          | SM-514B        | Mounting Screw w/Washer (8 ply-one each) |
| 3        | SP-300D        | Die-Cast Wing Bolt Set      | 2        | NP-415P        | Rubber Gasket (one each)                 |
| 3-A      | UGB-628        | Die-Cast Wing Bolt w/Washer | 3        | NP-414P        | Rubber Gasket (one each)                 |
| 3-B      | DC-664         | Hexagonal Washer            | 4        | DC-661         | Spur Bracket ONLY                        |
| 3-C      | DC-665         | Hexagonal Nut               |          |                |  |
| 4        | SP-020         | Spring                      |          |                |  |

## SP-30



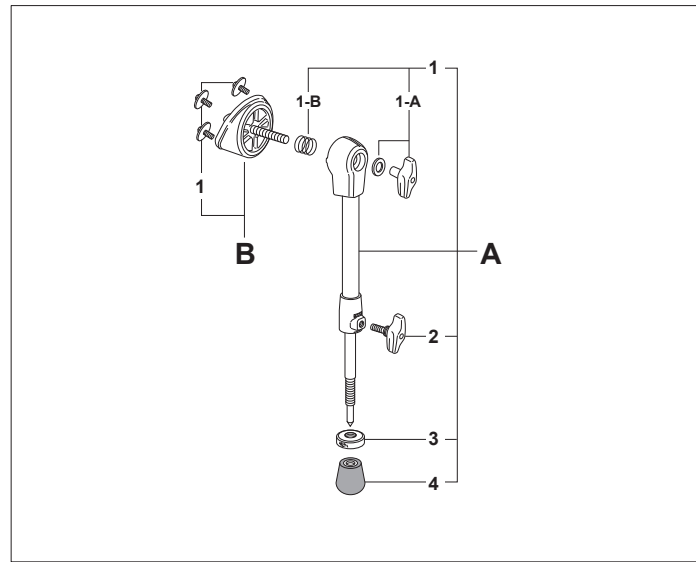
- |          |               |                             |          |               |                                    |
|----------|---------------|-----------------------------|----------|---------------|------------------------------------|
| <b>A</b> | <b>SP-30A</b> | <b>Spur Assy. Complete</b>  | <b>B</b> | <b>SP-30E</b> | <b>Spur Bracket Complete</b>       |
| 1        | SP-30C        | Outer Cap                   | 1        | SM-512B       | Mounting Screw w/Washer (one each) |
| 2        | UGB-835       | Die-Cast Wing Bolt w/Washer | 2        | NP-244P       | Rubber Gasket                      |
| 3        | SP-30D        | Die-Cast Wing Bolt Set      | 3        | DC-88         | Spur Bracket ONLY                  |
| 3-A      | UGB-628       | Die-Cast Wing Bolt w/Washer |          |               |                                    |
| 3-B      | DC-91         | Hexagonal Washer            |          |               |                                    |
| 3-C      | ME-90         | Hexagonal Nut               |          |               |                                    |
| 4        | SB-55         | Allen Screw                 |          |               |                                    |
| 5        | R-30A         | Rubber Tip w/Washer         |          |               |                                    |
| 6        | SP-205        | Spring                      |          |               |                                    |

## BSP-300/C



- |           |                  |  |          |                 |  |
|-----------|------------------|--|----------|-----------------|--|
| <b>A</b>  | <b>BSP-300AL</b> | <b>Spur Assy. Complete, Left Side</b>  | <b>B</b> | <b>BSP-300B</b> | <b>Spur Bracket Complete</b>             |
| <b>A'</b> | <b>BSP-300AR</b> | <b>Spur Assy. Complete, Right Side</b> | 1        | SM-512B         | Mounting Screw w/Washer (6 ply-one each) |
| 1         | UGB-835          | Die-Cast Wing Bolt w/Washer            |          | SM-516B         | Mounting Screw w/Washer (8 ply-one each) |
| 2         | BSP-300D         | Die-Cast Wing Nut Set                  | 2        | PL-15S          | Rubber Gasket (one each)                 |
| 2-A       | UGN-6            | Die-Cast Wing Nut w/Washer             | 3        | PL-15L          | Rubber Gasket (one each)                 |
| 2-B       | ZD-56            | Collar                                 | 4        | ZD-51           | Spur Bracket ONLY                        |
| 2-C       | ZD-55            | Receiver Clamp                         |          |                 |  |
| 2-D       | SC-168           | Clamp Bolt                             |          |                 |  |
| 3         | SP-020           | Spring                                 |          |                 |  |

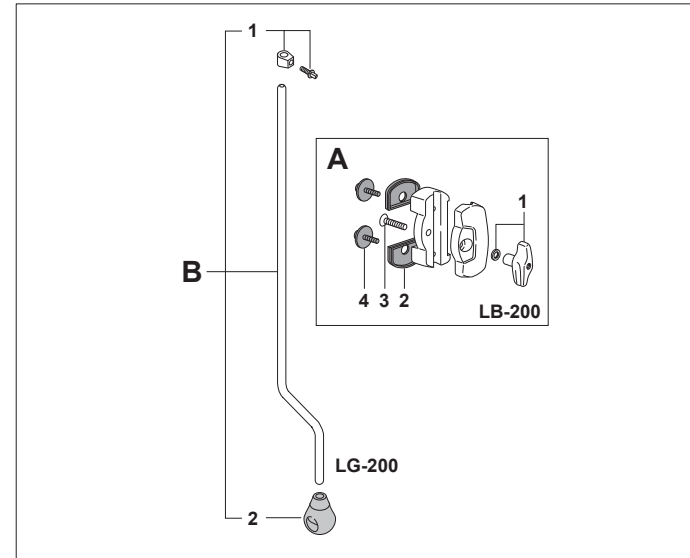
## BSP-70



- |          |               |                                       |          |                |                                    |
|----------|---------------|---------------------------------------|----------|----------------|------------------------------------|
| <b>A</b> | <b>SP-70A</b> | <b>Spur Assy. Complete</b>            | <b>B</b> | <b>SPB-70A</b> | <b>Spur Bracket Complete</b>       |
| 1        | SP-20B        | Die-Cast Wing Nut w/Washer and Spring | 1        | S-BA           | Mounting Screw w/Washer (one each) |
| 1-A      | UGN-8         | Die-Cast Wing Nut w/Washer            |          |                |                                    |
| 1-B      | SP-54         | Spring                                |          |                |                                    |
| 2        | UGB-610       | Die-Cast Wing Bolt                    |          |                |                                    |
| 3        | RHA-1T        | Lock Nut                              |          |                |                                    |
| 4        | RHS-1R        | Rubber Tip                            |          |                |                                    |

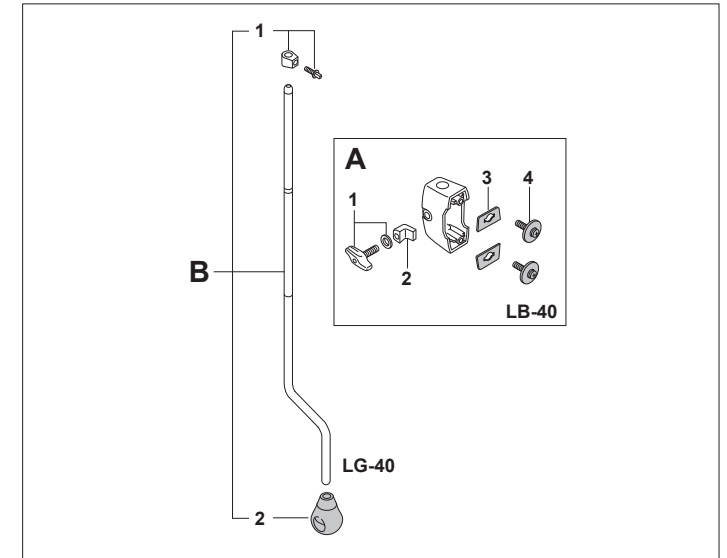
# FLOOR TOM LEG BRACKETS & LEGS

## LB-200 / LG-200



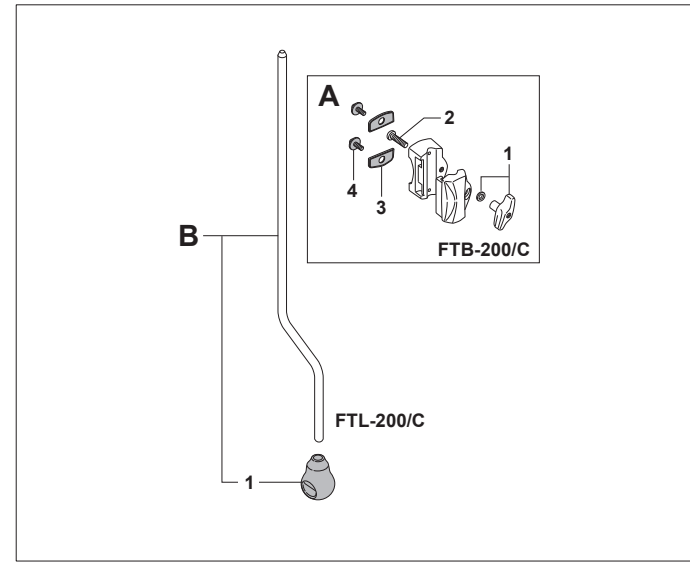
- |          |               |   |          |               |  |
|----------|---------------|---|----------|---------------|--|
| <b>A</b> | <b>LB-200</b> | <b>Floor Tom Leg Bracket Assy. Complete</b> | <b>B</b> | <b>LG-200</b> | <b>Floor Tom Leg Complete w/Stop Lock &amp; Rubber Tip</b> |
| 1        | UGN-6         | Die-Cast Wing Nut w/Washer                  | 1        | LG-02NS       | Stop Lock Complete   |
| 2        | NP-413        | Rubber Gasket (one each)                    | 2        | R-40          | Air Suspension Rubber Tip                                  |
| 3        | SC-365        | Screw                                       |          |               |  |
| 4        | SM-514B       | Mounting Screw w/Washer                     |          |               |  |

## LB-40 / LG-40



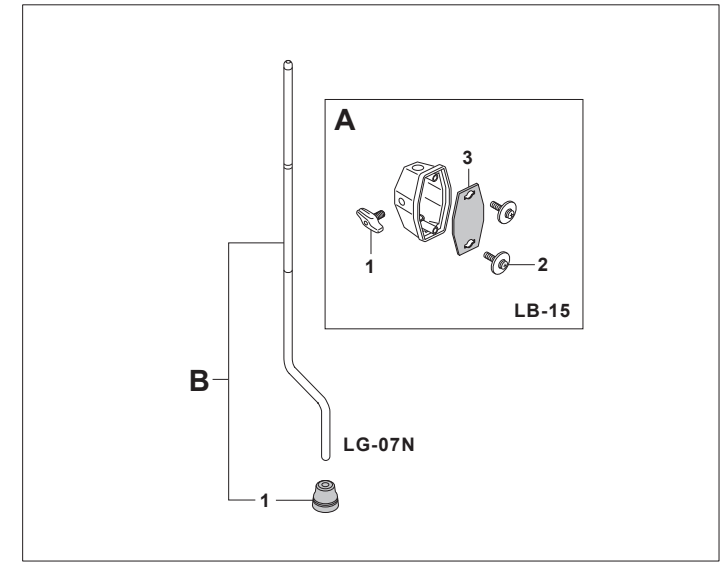
- |          |              |   |          |              |  |
|----------|--------------|---|----------|--------------|--|
| <b>A</b> | <b>LB-40</b> | <b>Floor Tom Leg Bracket Assy. Complete</b> | <b>B</b> | <b>LG-40</b> | <b>Floor Tom Leg Complete w/Stop Lock &amp; Rubber Tip</b> |
| 1        | UGB-620      | Die-Cast Wing Bolt w/Washer                 | 1        | LG-04S       | Stop Lock Complete   |
| 2        | DC-337       | Lock Nut                                    | 2        | R-40         | Air Suspension Rubber Tip                                  |
| 3        | NP-245P      | Rubber Gasket (one each)                    |          |              |  |
| 4        | SM-512BW     | Mounting Screw w/Washer (4 ply-one each)    |          |              |  |
|          | SM-514BW     | Mounting Screw w/Washer (6 ply-one each)    |          |              |  |

## FTB-200/C / FTL-200/C



- |          |                  |   |          |                  |  |
|----------|------------------|---|----------|------------------|--|
| <b>A</b> | <b>FTB-200/C</b> | <b>Floor Tom Leg Bracket Assy. Complete</b> | <b>B</b> | <b>FTL-200/C</b> | <b>Floor Tom Leg Complete w/Rubber Tip</b> |
| 1        | UGN-6            | Die-Cast Wing Nut w/Washer                  | 1        | R-40             | Air Suspension Rubber Tip                  |
| 2        | SC-165N          | Screw                                       |          |                  |  |
| 3        | PL-21            | Rubber Gasket (one each)                    |          |                  |  |
| 4        | SM-516B          | Mounting Screw w/Washer (one each)          |          |                  |  |

## LB-15 / LG-07N

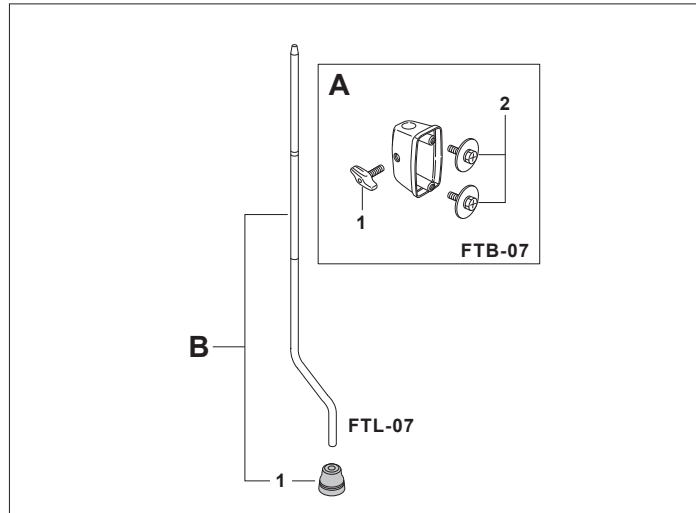


- |          |              |   |          |               |  |
|----------|--------------|---|----------|---------------|--|
| <b>A</b> | <b>LB-15</b> | <b>Floor Tom Leg Bracket Assy. Complete</b> | <b>B</b> | <b>LG-07N</b> | <b>Floor Tom Leg Complete w/Rubber Tip</b> |
| 1        | UGB-820      | Die-Cast Wing Bolt                          | 1        | R-5           | Rubber Tip                                 |
| 2        | SM-512       | Mounting Screw w/Washer (one each)          |          |               |  |
| 3        | NP-341P      | Rubber Gasket                               |          |               |  |
| 4        | SM-516B      | Mounting Screw w/Washer (one each)          |          |               |  |



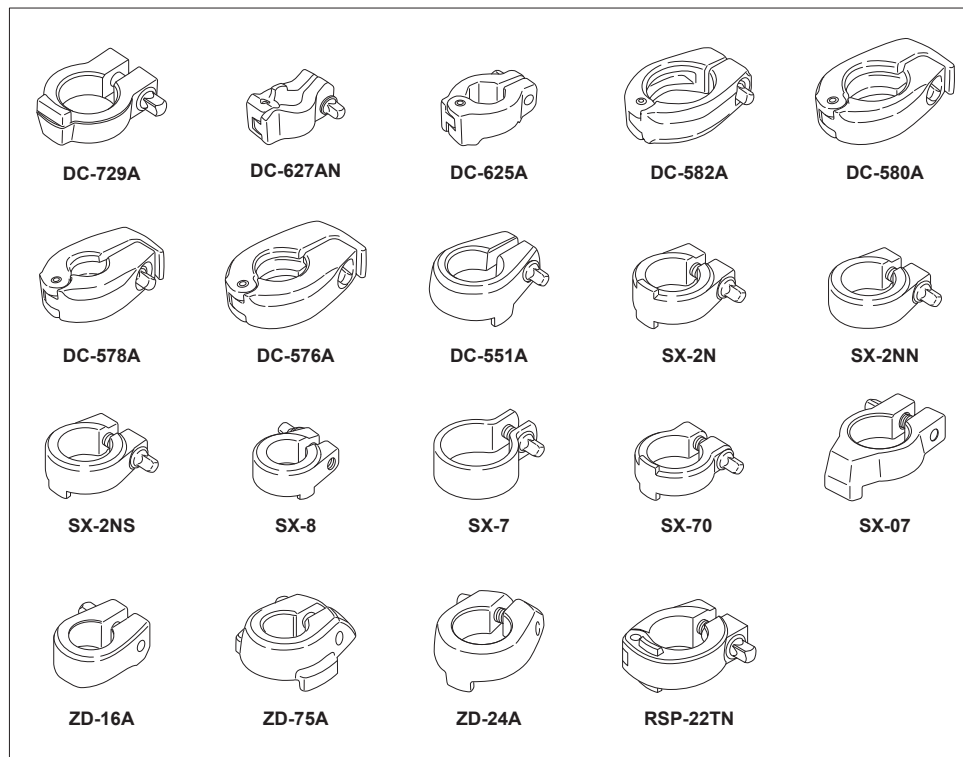
# FLOOR TOM LEG BRACKETS & LEGS

## FTB-07/FTL-07



- A FTB-07 Floor Tom Leg Bracket Assy. Complete**  
 1 UGB-815A Die-Cast Wing Bolt  
 2 LBS-3S Mounting Screw w/Washer (one each)
- B FTL-07 Floor Tom Leg Complete w/Rubber Tip**  
 1 R-5 Rubber Tip

# Stop Locks



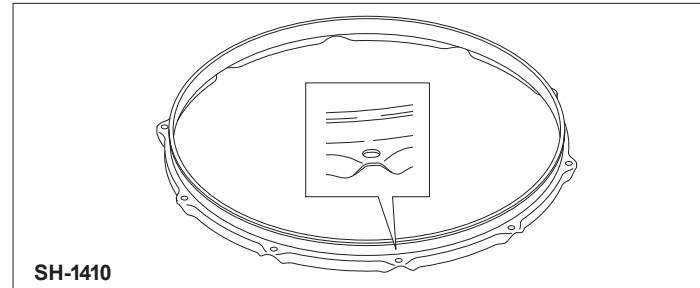
Number	Application
DC-729A	D-2500, D-1000N, D-1000SN, D-1000SPN
DC-627AN	BC-2000, CH-2000, CH-2000S
DC-625A	CLH-1000, BC-2000, B-1000, CH-2000, CH-1000
DC-582A	BC-2000, T-2000,
DC-580A	H-2000, H-1000, H-1000K
DC-578A	BC-2000
DC-576A	BC-2000, T-2000
DC-551A	D-80, D-75
SX-2N	CLH-1000, JG-16, CH-2000, CH-2000S, CH-1000, CH-80, T-2000, T-1000, T-900, TH-2000, TH-2000I, TH-2000S, TH-1000, TH-1000I, TH-1000S, TH-88, TH-88I, TH-88S, UX-80
SX-2NN	H-890
SX-2NS	T-2000, T-1000, T-900, T-890
SX-8	CH-80
SX-7	D-80, D-75, D-70W
SX-70	TH-70
SX-07	D-70W
ZD-16A	B-900, B-890, CH-900, CH-890
ZD-75A	BC-900, B-900, C-900
ZD-24A	H-900, D-900, BC-900, B-900, C-900, T-900
RSP-22TN	TH-900I, TH-900S

# Snare Wires

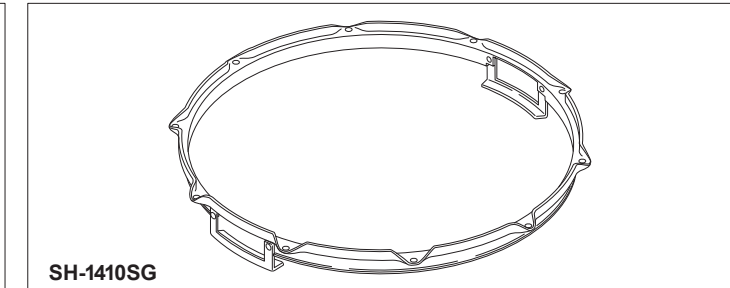
Model#	Strands	Size	Material	Model#	Strands	Size	Material
SN-1320C	20	13"	Ultra-Sound Snare Wire, C-type, w/strap & cord	S-022	20	14"	High Carbon Steel, Straps
SN-1420C	20	14"	Ultra-Sound Snare Wire, C-type, w/strap & cord	S-022N	20	14"	High Carbon Steel, Cords
SN-1442C	42	14"	Ultra-Sound Snare Wire, C-type, w/strap & cord	S-025	20	14"	(for SR-010) High Carbon Steel
SN-1320D	20	13"	Ultra-Sound Snare Wire, D-type, w/strap & cord	S-029N	20	13"	High Carbon Steel
SN-1420D	20	14"	Ultra-Sound Snare Wire, D-type, w/strap & cord	S-030N	24	14"	High Carbon Steel
SN-1442D	42	14"	Ultra-Sound Snare Wire, D-type, w/strap & cord	S-031N	20	12"	High Carbon Steel
SN-1320I	20	13"	Ultra-Sound Snare Wire, I-type, w/strap & cord	S-032N	16	10"	High Carbon Steel
SN-1420I	20	14"	Ultra-Sound Snare Wire, I-type, w/strap & cord	S-033N	16	12"	High Carbon Steel
SN-1442I	42	14"	Ultra-Sound Snare Wire, I-type, w/strap & cord	S-040	15	14"	Steel, thinner gauge
				S-041	15	14"	Bronze, thicker gauge

# HOOPS

## Super Hoop II, Regular Steel Hoops

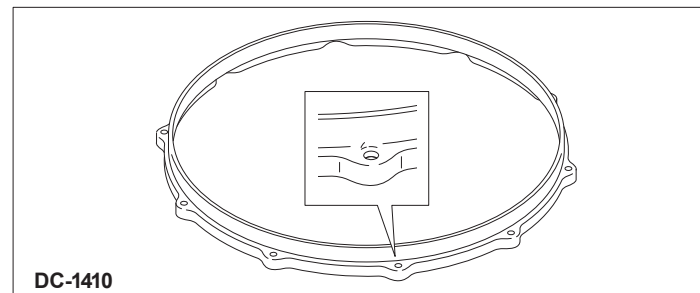


Number	Dia.	Description	Number	Dia.	Description
SH-0604	6"	4 rod	SH-1408	14"	8 rod
SH-0805	8"	5 rod	SH-1408S	14"	8 rod, snare side
SH-1006	10"	6 rod	SH-1410B	14"	10 rod, snare side
SH-1006S	10"	6 rod, snare side	SH-1410S	14"	10 rod, snare side
SH-1206	12"	6 rod	SH-1410SG	14"	10 rod, snare side w/guard
SH-1208	12"	8 rod	SH-1508	15"	8 rod
SH-1208S	12"	8 rod, snare side	SH-1608	16"	8 rod
SH-1306	13"	6 rod	SH-1808	18"	8 rod

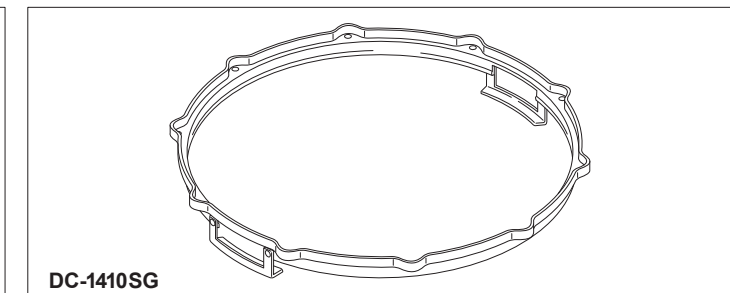


Number	Dia.	Description	Number	Dia.	Description
RIM-0804	8"	4 rod	RIM-1408B	14"	8 rod, batter side
RIM-1006	10"	6 rod	RIM-1408S	14"	8 rod, snare side
RIM-1206	12"	6 rod	RIM-1410B	14"	10 rod, batter side
RIM-1306	13"	6 rod	RIM-1410S	14"	10 rod, snare side
RIM-1308B	13"	8 rod, batter side	RIM-1606	16"	6 rod
RIM-1308S	13"	8 rod, snare side	RIM-1608	16"	8 rod
RIM-1406	14"	6 rod	RIM-1808	18"	8 rod

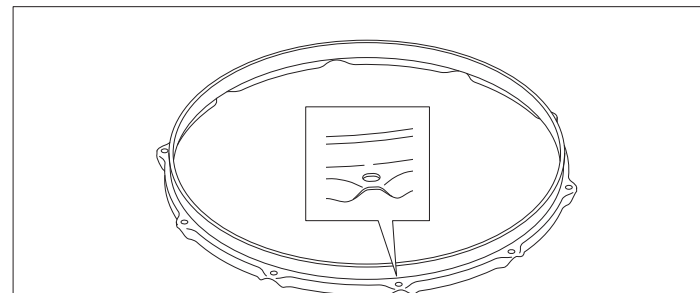
## Die-Cast Hoops



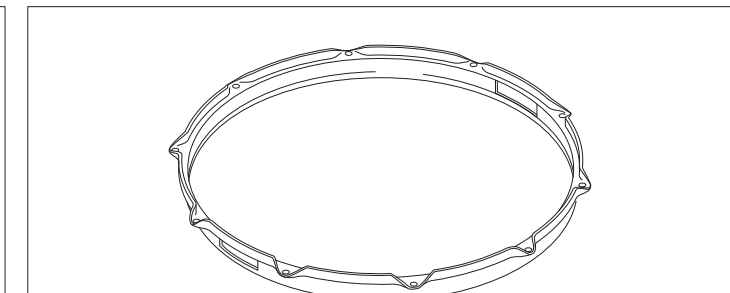
Number	Dia.	Description	Number	Dia.	Description
DC-0805	8"	5 rod	DC-1410	14"	10 rod
DC-1006	10"	6 rod	DC-1410S	14"	10 rod, snare side
DC-1206	12"	6 rod	DC-1410SG	14"	10 rod, snare side w/guard
DC-1306	13"	6 rod	DC-1508	15"	8 rod
DC-1408	14"	8 rod	DC-1608	16"	8 rod
DC-1408S	14"	8 rod, snare side	DC-1808	18"	8 rod



## FatTone Hoops



Number	Dia.	Description	Number	Dia.	Description
FH-0805	8"	5 rod	FH-1408	14"	8 rod
FH-1006	10"	6 rod	FH-1410	14"	10 rod
FH-1206	12"	6 rod	FH-1410S	14"	10 rod, snare side
FH-1306	13"	6 rod	FH-1508	15"	8 rod
FH-1308	13"	8 rod	FH-1608	16"	8 rod
FH-1308S	13"	8 rod, snare side	FH-1808	18"	8 rod

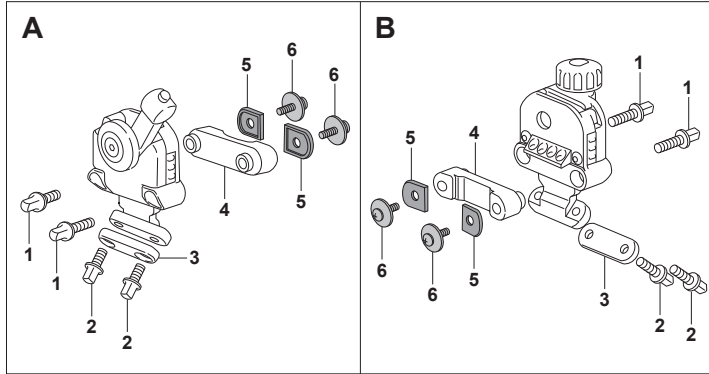


## Bass Drum Hoops / Hoop Protector

Number	Dia.	Application	Number	Dia.	Application	Number	Dia.	Application	Number	Application
RIM18W	18"	RF / RFP / Masters	VBL20HP-B	20"	VBL Batter Side	VB20HP-B	20"	VB Batter Side	HPP-2	Metal Hoop Protector for Wood BD Hoops
RIM20W	20"	RF / RFP / Masters	VBL20HP-F	20"	VBL Front Side	VB20HP-F	20"	VB Front Side	NP-347	Hoop Protector for Vision BD Hoops
RIM22W	22"	RF / RFP / Masters	VBL22HP-B	22"	VBL Batter Side	VB22HP-B	22"	VB Batter Side	NP-01	Hoop Protector for Metal BD Hoops
RIM24W	24"	RF / RFP / Masters	VBL22HP-F	22"	VBL Front Side	VB22HP-F	22"	VB Front Side		
MCXRIM18	18"	MCX	VBA20HP-B	20"	VBA Batter Side	FZH20HP-B	20"	FZH Batter Side		
MCXRIM20	20"	MCX	VBA20HP-F	20"	VBA Front Side	FZH20HP-F	20"	FZH Front Side		
MCXRIM22	22"	MCX	VBA22HP-B	22"	VBA Batter Side	FZH22HP-B	22"	FZH Batter Side		
MCXRIM24	24"	MCX	VBA22HP-F	22"	VBA Front Side	FZH22HP-F	22"	FZH Front Side		
VMLRIM18	18"	VML								
VMLRIM20	20"	VML								
VMLRIM22	22"	VML								

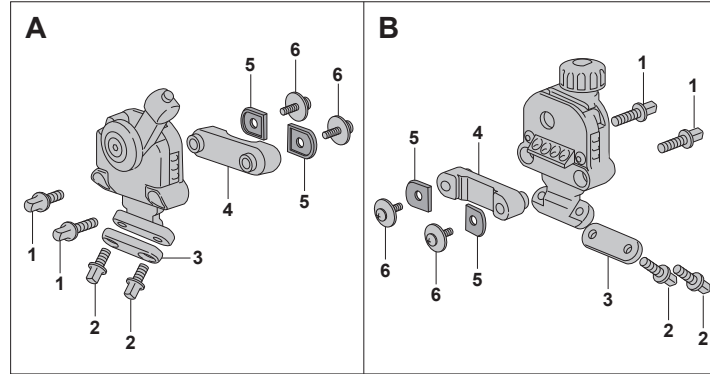
# STRAINERS

## SR-1000



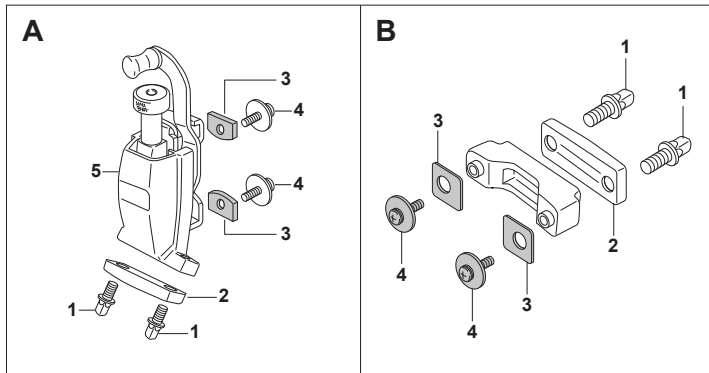
- |   |   |
|---|---|
| <b>A SR-1000A Release Side Assy. Complete</b>           | <b>B SR-1000E Butt Side Assy. Complete</b>              |
| 1 KB-615 Key Bolt (one each)                            | 1 KB-510 Key Bolt (one each)                            |
| 2 KB-510 Key Bolt (one each)                            | 2 KB-510 Key Bolt (one each)                            |
| 3 DC-684 Snare Mounting Plate                           | 3 DC-684 Snare Mounting Plate                           |
| 4 DC-685 Snare Setting Plate                            | 4 DC-685 Snare Setting Plate                            |
| 5 NP-432P Rubber Gasket (one each)                      | 5 NP-432P Rubber Gasket (one each)                      |
| 6 SM-409 Mounting Screw w/Washer (Metal shell-one each) | 6 SM-409 Mounting Screw w/Washer (Metal shell-one each) |
| SM-430B Mounting Screw w/Washer (20 ply-one each)       | SM-430B Mounting Screw w/Washer (20 ply-one each)       |

## SR-1000/B (Black Chrome)



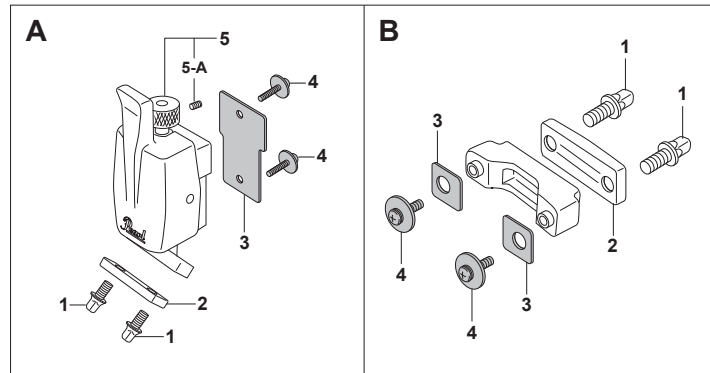
- |   |   |
|---|---|
| <b>A SR-1000A/B Release Side Assy. Complete</b>         | <b>B SR-1000E/B Butt Side Assy. Complete</b>            |
| 1 KB-615B Key Bolt (one each)                           | 1 KB-510B Key Bolt (one each)                           |
| 2 KB-510B Key Bolt (one each)                           | 2 KB-510B Key Bolt (one each)                           |
| 3 DC-684B Snare Mounting Plate                          | 3 DC-684B Snare Mounting Plate                          |
| 4 DC-685B Snare Setting Plate                           | 4 DC-685B Snare Setting Plate                           |
| 5 NP-432P Rubber Gasket (one each)                      | 5 NP-432P Rubber Gasket (one each)                      |
| 6 SM-409 Mounting Screw w/Washer (Metal shell-one each) | 6 SM-409 Mounting Screw w/Washer (Metal shell-one each) |

## SR-017



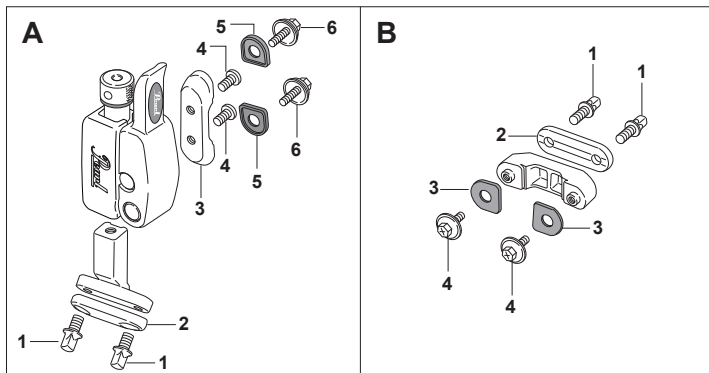
- |   |  |
|---|--|
| <b>A SR-17A Release Side Assy. Complete</b>           | <b>B SR-18E Butt Side Assy. Complete</b>               |
| 1 KB-510 Key Bolt (one each)                          | 1 KB-510 Key Bolt (one each)                           |
| 2 SR-12D Snare Mounting Plate                         | 2 SR-12D Snare Mounting Plate                          |
| 3 NP-249P Rubber Gasket (one each)                    | 3 NP-251P Rubber Gasket (one each)                     |
| 4 SM-514B Mounting Screw w/Washer (6 ply-one each)    | 4 SM-414B Mounting Screw w/Washer (6 ply-one each)     |
| SM-520B Mounting Screw w/Washer (10 ply-one each)     | SM-420B Mounting Screw w/Washer (10 ply-one each)      |
| SM-507 Mounting Screw w/Washer (Metal shell-one each) | SM-411C Mounting Screw w/Washer (Metal shell-one each) |
| 5 DC-440 Strainer Cover                               |  |

## SR-015



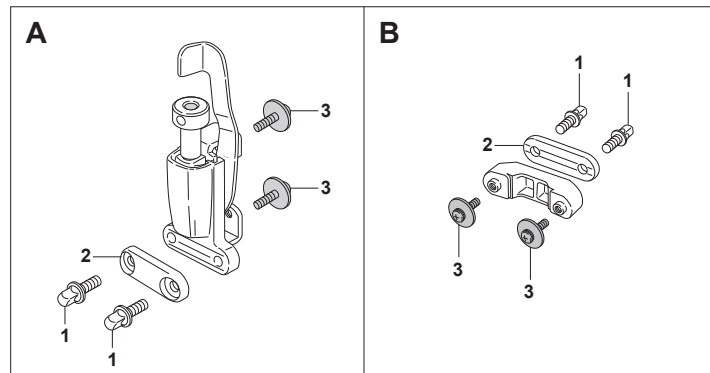
- |   |  |
|---|--|
| <b>A SR-15A Release Side Assy. Complete</b>           | <b>B SR-18E Butt Side Assy. Complete</b>               |
| 1 KB-510 Key Bolt (one each)                          | 1 KB-510 Key Bolt (one each)                           |
| 2 SR-12D Snare Mounting Plate                         | 2 SR-12D Snare Mounting Plate                          |
| 3 NP-248P Rubber Gasket                               | 3 GK-18SB Gasket (one each)                            |
| 4 SM-414B Mounting Screw w/Washer (4 ply-one each)    | 4 SM-411B Mounting Screw w/Washer (4 ply-one each)     |
| SM-416B Mounting Screw w/Washer (6 ply-one each)      | SM-414B Mounting Screw w/Washer (6 ply-one each)       |
| SM-418B Mounting Screw w/Washer (8 ply-one each)      | SM-416B Mounting Screw w/Washer (8 ply-one each)       |
| SM-409 Mounting Screw w/Washer (Metal shell-one each) | SM-411C Mounting Screw w/Washer (Metal shell-one each) |
| 5 ME-376A Adjustment Bolt, Complete                   |  |
| 5-A SB-44 Allen Screw                                 |  |

## SR-900



- |  |  |
|--|--|
| <b>A SR-900A Release Side Assy. Complete</b> | <b>B SR-900B Butt Side Assy. Complete</b>                |
| 1 KB-510 Key Bolt (one each)                 | 1 KB-510 Key Bolt (one each)                             |
| 2 ZD-12 Snare Mounting Plate                 | 2 ZD-12 Snare Mounting Plate                             |
| 3 ZD-6 Snare Setting Plate                   | 3 PL-13 Rubber Gasket (one each)                         |
| 4 SC-391 Screw (one each)                    | 4 SM-408C Mounting Screw w/Washer (Metal shell-one each) |
| 5 PL-13 Rubber Gasket (one each)             | SM-411B Mounting Screw w/Washer (Wood shell-one each)    |
| 6 SM-408C Mounting Screw w/Washer (one each) |  |

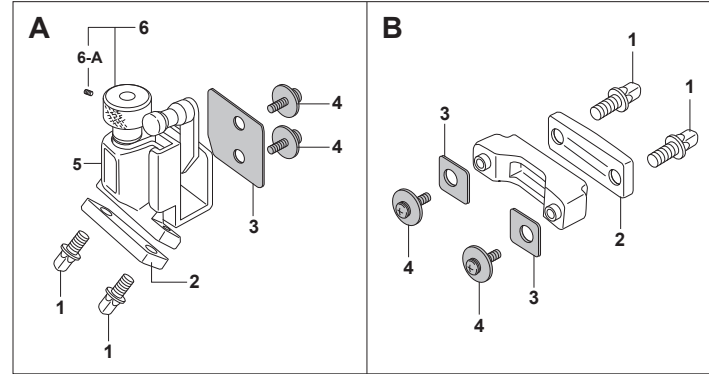
## SR-700



- |  |   |
|--|---|
| <b>A SR-700A Release Side Assy. Complete</b> | <b>B SR-700B Butt Side Assy. Complete</b> |
| 1 KB-510 Key Bolt (one each)                 | 1 KB-510 Key Bolt (one each)              |
| 2 ZD-12 Snare Mounting Plate                 | 2 ZD-12 Snare Mounting Plate              |
| 3 SM-414B Mounting Screw w/Washer (one each) | 3 SM-411B Mounting Screw w/Washer         |

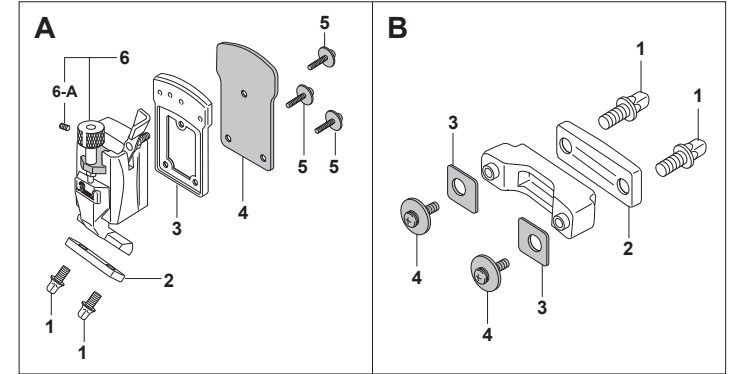
# STRAINERS

## SR-018



- |  |  |
|--|--|
| <b>A SR-18A Release Side Assy. Complete</b>            | <b>B SR-18E Butt Side Assy. Complete</b>               |
| 1 KB-508 Key Bolt (one each)                           | 1 KB-510 Key Bolt (one each)                           |
| 2 SR-12D Snare Mounting Plate                          | 2 SR-12D Snare Mounting Plate                          |
| 3 NP-250P Rubber Gasket                                | 3 NP-251P Rubber Gasket (one each)                     |
| 4 SM-414B Mounting Screw w/Washer (6 ply-one each)     | 4 SM-414B Mounting Screw w/Washer (6 ply-one each)     |
| SM-416B Mounting Screw w/Washer (8 ply-one each)       | SM-416B Mounting Screw w/Washer (8 ply-one each)       |
| SM-411C Mounting Screw w/Washer (Metal shell-one each) | SM-411C Mounting Screw w/Washer (Metal shell-one each) |
| 5 DC-458 Strainer Cover                                |  |
| 6 ME-454A Adjustment Bolt, Complete                    |  |
| 6-A SB-44 Allen Screw                                  |  |

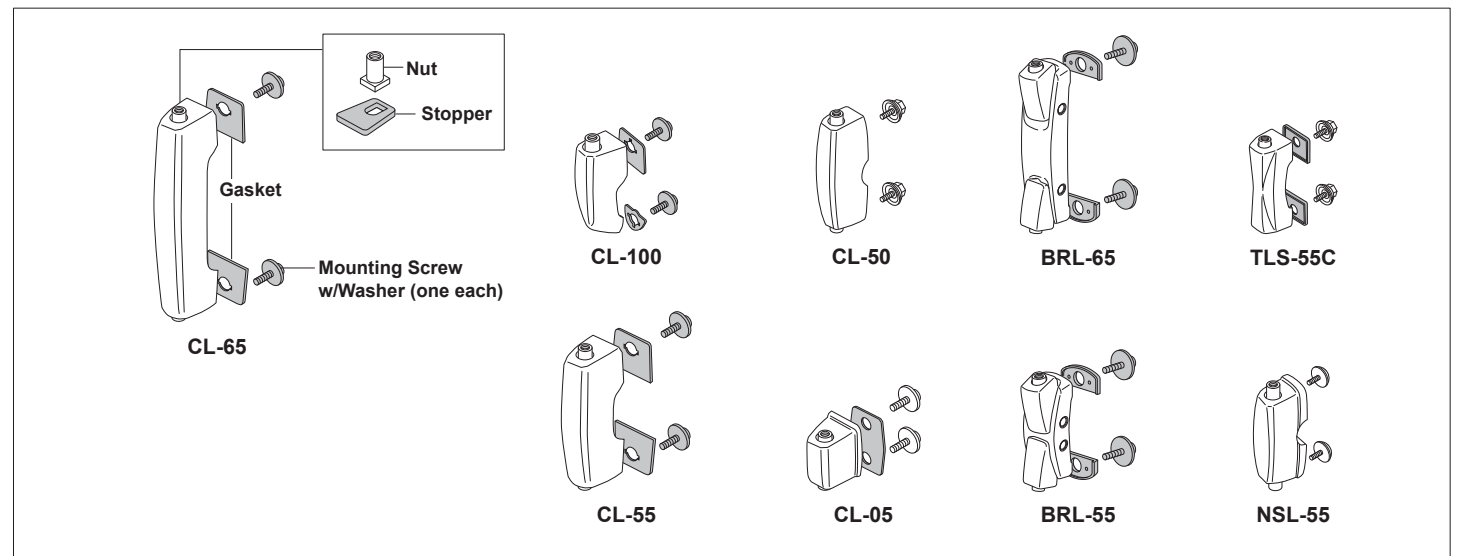
## SR-020



- |  |  |
|--|--|
| <b>A SR-20A Release Side Assy. Complete</b>  | <b>B SR-18E Butt Side Assy. Complete</b>     |
| 1 KB-510 Key Bolt (one each)                 | 1 KB-510 Key Bolt (one each)                 |
| 2 SR-12D Snare Mounting Plate                | 2 SR-12D Snare Mounting Plate                |
| 3 DC-408 Trace Plate                         | 3 NP-251P Rubber Gasket (one each)           |
| 4 NP-328P Rubber Gasket                      | 4 SM-411B Mounting Screw w/Washer (one each) |
| 5 SM-418B Mounting Screw w/Washer (one each) |  |
| 6 ME-226A Adjustment Bolt, Complete          |  |
| 6-A SB-44 Allen Screw                        |  |

# LUGS

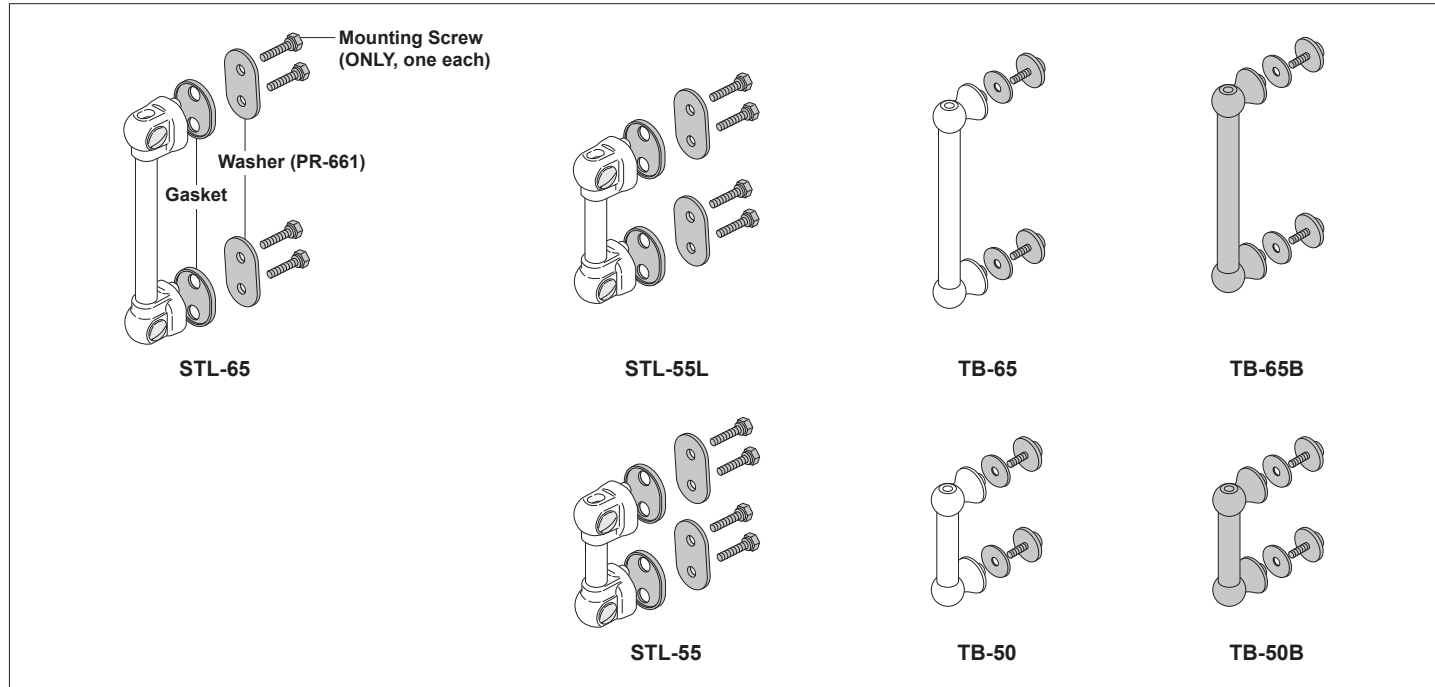
## Lugs for Snare Drum



Number	Nut	Stopper	Gasket	Screw					Application
				METAL	4PLY	6PLY	8PLY	20PLY	
CL-65	DC-6US	NP-135N	NP-240P	SM-411C	SM-411B	SM-414B	---	---	6.5" deep STE / MCX, JJ1365, M1060
CL-100	DC-6US	NP-135N	NP-240P (Large) NP-241P (Small)	SM-411C	SM-411B	SM-414B	SM-416B	---	DC1465, M1270
CL-55	DC-6US	NP-135N	NP-240P	SM-411C	SM-411B	SM-414B	---	---	5.5" deep STE / MCX, CS1450, OH1350
CL-50	DC-6FE	NP-135N	---	SM-411C	---	---	SM-416B	---	FCP, FCS
CL-05	ME-256US	NP-135N	NP-257P	SM-411C	---	SM-414B	---	---	M1040, M1330, M1440, B1330, S1330B
BRL-65	DC-6RS	NP-408	NP-410P	SM-411C	---	---	---	---	6.5" deep RF / RFS / RFB
BRL-55	DC-6RS	NP-408	NP-410P	SM-411C	---	---	---	---	5" deep RF / RFS / RFB
TLS-55/C	DC-6FE	PL-16	PL-19F	SM-408C	---	SM-411B	---	---	SS1455S/C, Vision
NSL-55	DC-6FE	NP-135N	---	---	---	SM-411B	---	---	FZH

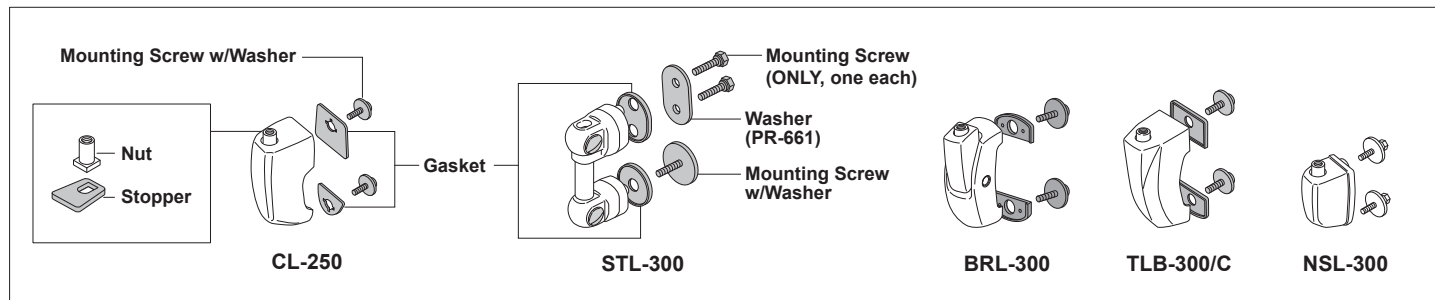
# LUGS

## Lugs for Snare Drum (Tube)



Number	Nut	Stopper	Gasket	Screw					Application
				METAL	4PLY	6PLY	6PLY, Thin	8PLY	
STL-65	---	---	NP-444P	---	SC-400R	SC-399R	SC-400R	---	6.5" deep RFP / Masters Preimum
STL-55L	---	---	NP-444P	---	---	---	SC-400R	---	5" deep RFP
STL-55	---	---	NP-444P	---	SC-400R	SC-399R	SC-400R	---	5.5" deep Masters Premium
TB-65	---	---	NP-340P	SM-411C	---	SM-414B	---	SM-416B	6.5" deep UCA, IP1465
TB-50	---	---	NP-340P	SM-411C	---	SM-414B	---	SM-416B	5.0" deep UCA, VG1450

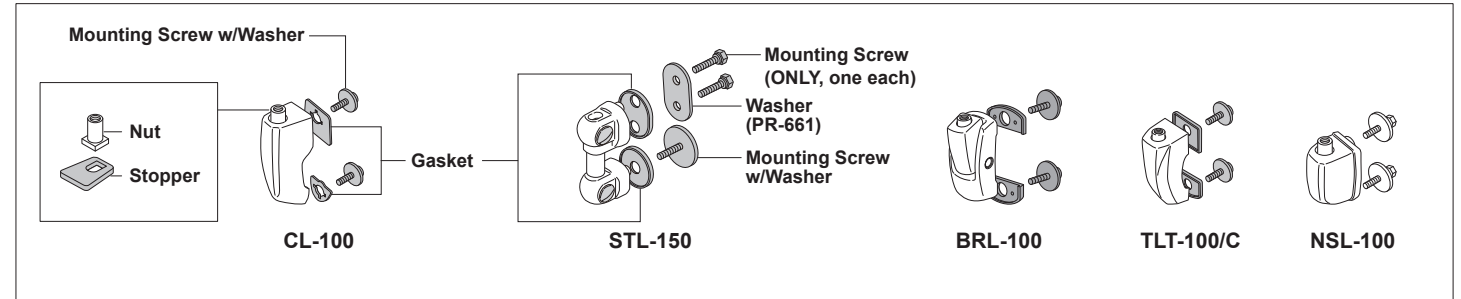
## Lugs for Bass Drum



Number	Nut	Stopper	Gasket	Screw					Application
				4PLY	6PLY	6PLY, Thin	8PLY	8PLY, Thin	
STL-300	---	---	NP-444P (Large) NP-497 (Small)	---	---	SC-404R SM-418B	---	SC-414R SM-420B	RFP
BRL-300	DC-5US	NP-408N	NP-408P (one each)	---	SM-414B	---	SM-416B	---	RF
CL-250	DC-5US	NP-225	NP-262P (Large) NP-263P (Small)	SM-411B	SM-414B	SM-411B	SM-416B	---	Masters Premium / MCX
TLB-300/C	DC-6FE	PL-17	PL-18F (Large) PL-18R (Small)	---	SM-411B	---	SM-416B	---	VISION
NSL-300	DC-6FE	NP-450	---	---	SM-411B	---	---	---	FZH

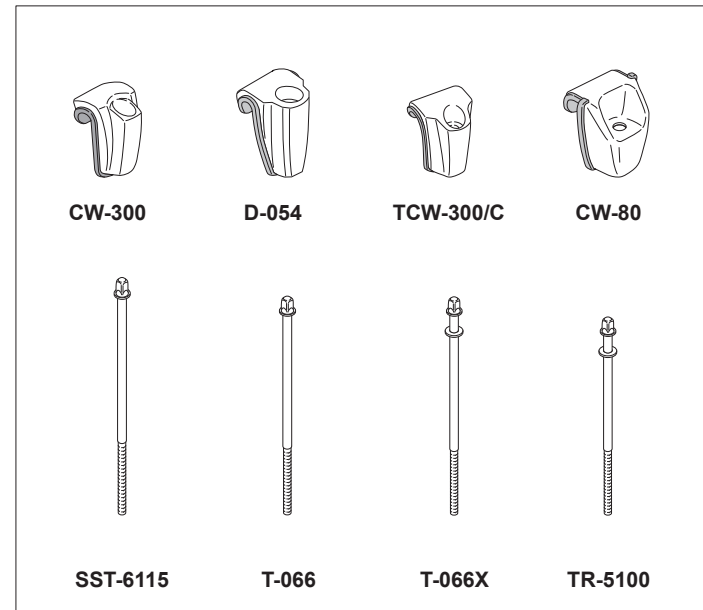
# LUGS, BOLTS, TENSION CLAWS

## Lugs for Tom Toms



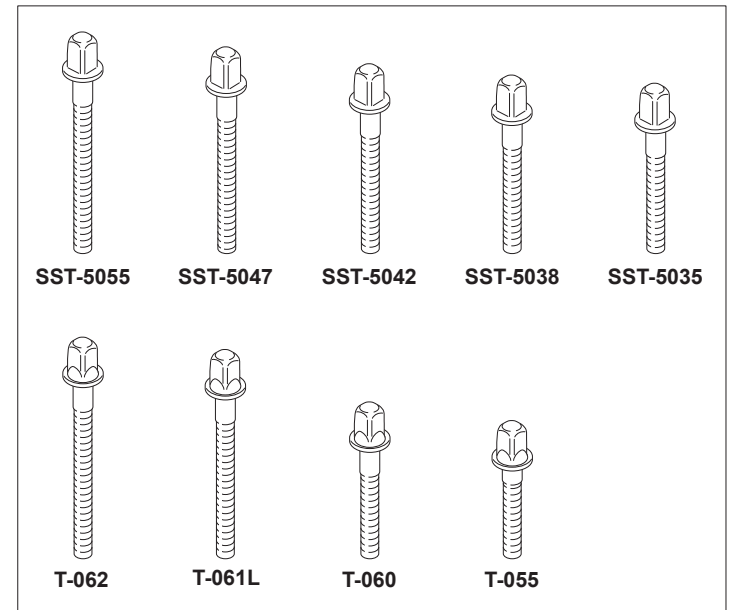
Number	Nut	Stopper	Gasket	Screw					Application
				4PLY	6PLY	6PLY, Thin	8PLY	8PLY, Thin	
STL-150	---	---	NP-444P (Large) NP-497 (Small)	---	---	SC-400R SM-414B	---	SC-399R SM-414B	RFP
BRL-100	DC-6RS	NP-408N	NP-410P (one each)	---	SM-414B	---	SM-416B	---	RF / Masters Preimum
CL-100	DC-6US	NP-135N	NP-240P (Large) NP-241P (Small)	SM-411B	SM-414B	SM-411B	---	---	Masters Premium / MCX
TLT-100/C	DC-6FE	PL-16	PL-19F (Large) PL-19R (Small)	---	SM-411B	---	---	---	VISION
NSL-100	DC-6FE	NP-135N	---	---	SM-411B	---	---	---	FZH

## Bass Drum Tension Claws & Bolts



	Number	Application
Claws	CW-300	RF / RFP / Masters Premium
	D-054	Masters MCX
	TCW-300/C	VISION
	CW-80	FZH
	SST-6115	M6 x 115mm for RF / RFP / Masters Premium
Bolts	T-066	M6 x 115mm for Masters MCX
	T-066X	W7/32 x 110mm for VML
	TR-5100	W7/32 x 100mm for VBL / VBA / VB / FZH

## Tension Key Rods



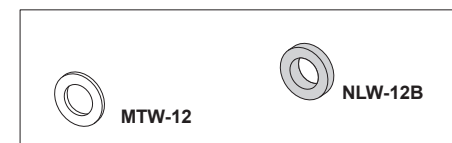
Number	Dia X Length	Application
SST-5055	W7/32 x 55mm	Masters Premium 5.5" Deep Snare Drums
SST-5047	W7/32 x 47mm	RF / RFP / Masters Premium Toms, RF 5" & 6.5" Deep / RFP 6.5" Deep Masters Premium 6.5" Deep Snare Drums, SensiTone Snare Drums, CS1450, OH1350, DC1465, JJ1365, M1270
SST-5042	W7/32 x 42mm	RFP 5" Deep Snare Drums, UCA Snare Drums, IP1465, VG1450, FFS 5" & 6.5" Deep Snare Drums, M1440
SST-5038	W7/32 x 38mm	M1040
SST-5035	W7/32 x 35mm	FFS 3.5" Deep Snare Drums, M1060
T-062	W7/32 x 52mm	Masters MCX 5.5" Deep Snare Drums, VML1455, VBA & VB Snare Drums, FZH Snare Drums, SS1455S/C, FireCracker Snare Drums
T-061L	W7/32 x 47mm	Masters MCX Toms, VISION Toms, FZH Toms, Masters MCX 6.5" Deep Snare Drums
T-060	W7/32 x 35mm	FS1435B/C
T-055	W7/32 x 28mm	3" Deep Piccolo Snare Drums

## IP1465 Parts



Number	Description
NP-104	Rubber O Ring
NP-270	Fiber Washer

## Washers for Tension Key Rods

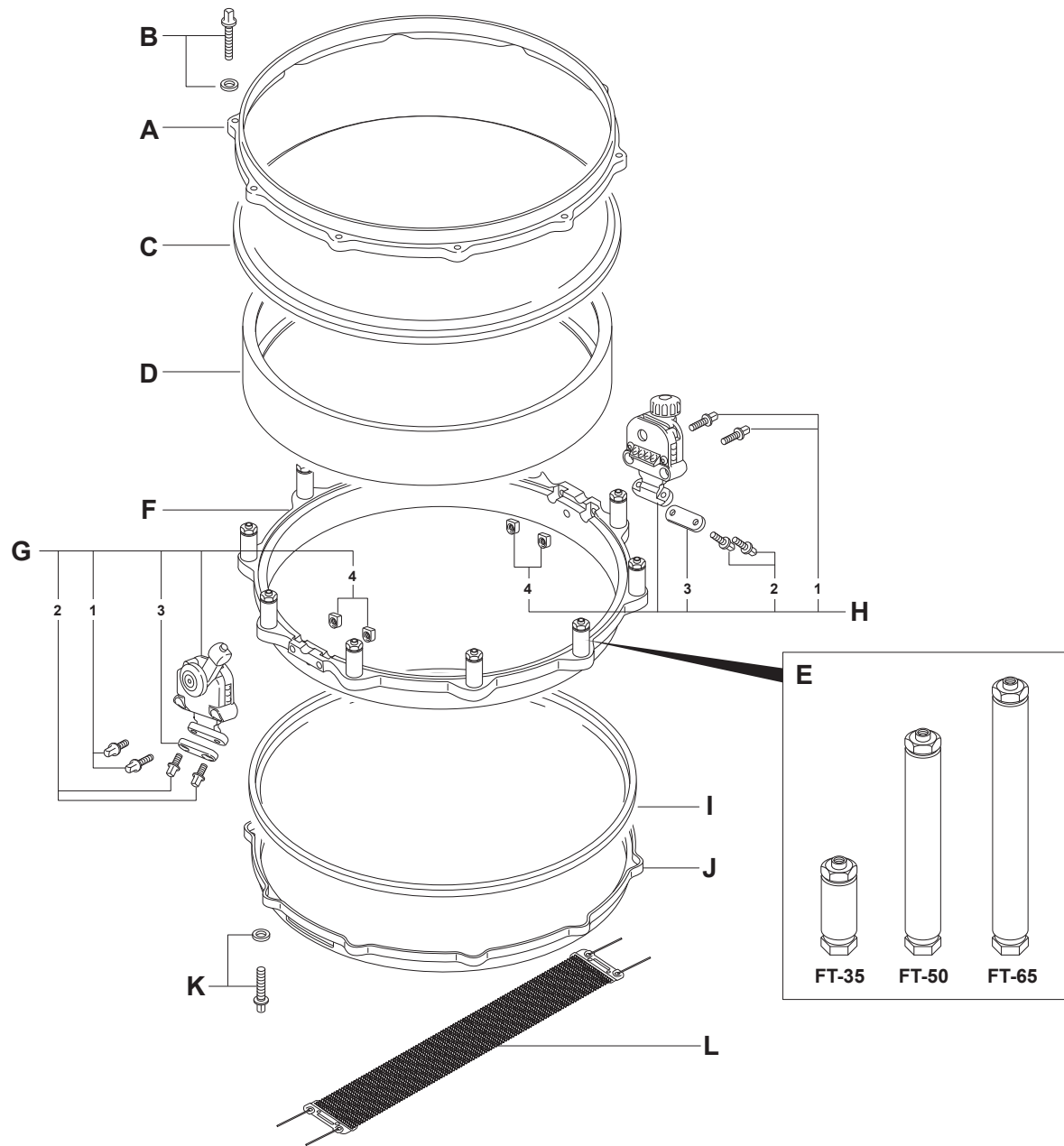


Number	Description
NLW-12B	Nylon Washer
MTW-12	Metal Washer



# F.F.S. SNARE DRUM

## Free Floating System Snare Drum

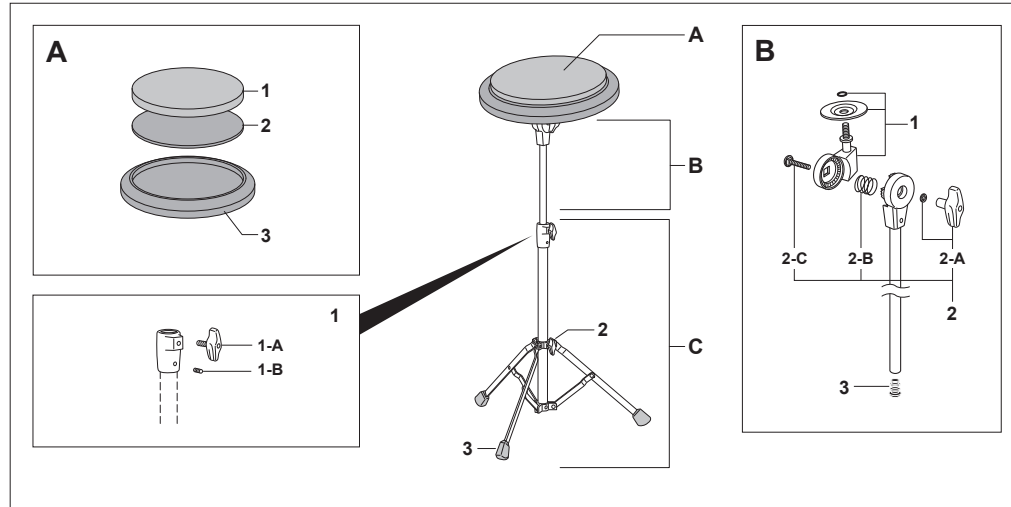


### Free Floating System Snare Drum

<b>A</b>	DC-1410	Die-Cast Hoop for Batter Side	<b>H</b>	SR-1000FB	Butt Side Assy. Complete
<b>B</b>	SST-5035	Tension Key Rod w/Washer for 3.5" Deep SD (one each)	1	KB-618	Key Bolt (one each)
	SST-5042	Tension Key Rod w/Washer for 5" & 6.5" Deep SD (one each)	2	KB-510	Key Bolt (one each)
<b>C</b>		Head for Batter Side	3	DC-684	Snare Mounting Plate
<b>D</b>		Shell	4	ME-675	D-Nut (one each)
<b>E</b>	FT-35	Lug Post for 3 1/2" Depth Snare Drum	<b>I</b>		Head for Snare Side
	FT-50	Lug Post for 5" Depth Snare Drum	<b>J</b>	DC-1410S	Die-Cast Hoop for Snare Side
	FT-65	Lug Post for 6 1/2" Depth Snare Drum	<b>K</b>	SST-5035	Tension Key Rod w/Washer for 3.5" Deep SD (one each)
<b>F</b>	ARC-1410	Aluminum Ring Chassis ONLY		SST-5042	Tension Key Rod w/Washer for 5" & 6.5" Deep SD (one each)
<b>G</b>	SR-1000FA	Release Side Assy. Complete	<b>L</b>	SN-1420I	Ultra Sound Snare Wire "I" Type
1	KB-618	Key Bolt (one each)			
2	KB-510	Key Bolt (one each)			
3	DC-684	Snare Mounting Plate			
4	ME-675	D-Nut (one each)			

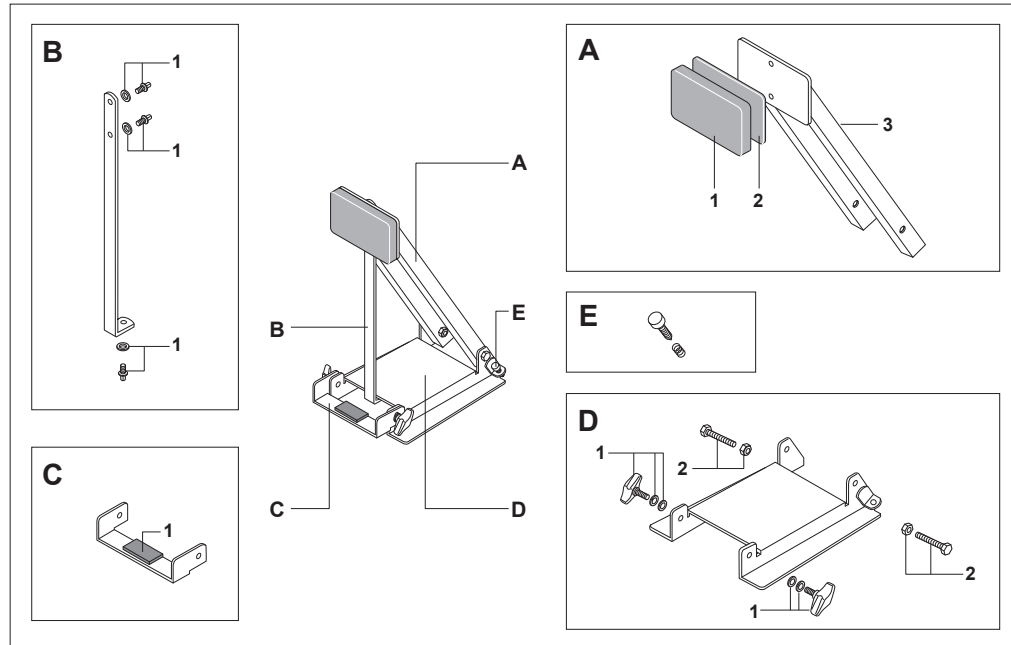
# PRACTICE PADS

## SD-50



<b>A</b>	PAD-80	Practice Pad Complete
1	NP-202	Rubber Pad
2	NP-202N	Rubber Cushion
3	NP-203	Base
<b>B</b>	SDU-5A	Upper Tube Assy. Complete
1	TL-70RDN	Tilter w/Washer & Rubber O-Ring
2	SN-70A	Bolt & Nut Set w/Spring
2-A	UGN-8	Die-Cast Wing Nut w/Washer
2-B	SP-17	Spring
2-C	SC-33	Clamp Bolt
3	NP-212	Plastic End Cap
<b>C</b>	BA-50SS	Base Assy. Complete
1	DJ-45A	Die-Cast Joint Assy. Complete
1-A	UGB-815	Die-Cast Wing Bolt
1-B	SB-44	Allen Screw
2	UGB-820	Die-Cast Wing Bolt
3	NP-12	Rubber Tip (one each)

## BD-10



<b>A</b>	DP-10	Pad Assy. Complete
1	NP-201	Rubber Pad
2	NP-201N	Rubber Cushion
3	DP-10B	Base
<b>B</b>	BSB-10	Supporting Bar Assy. Complete
1	KB-610W	Key Bolt w/Washer (one set)
<b>C</b>	CP-10	Clamp Plate Complete
1	NP-140	Rubber Protector
<b>D</b>	BFP-10	Floor Plate Assy. Complete
1	UGB-610W	Die-Cast Wing Bolt w/Washers (one set)
2	SC-144A	Mounting Screw w/Nut (one set)
<b>E</b>	LT-636	Anchor Screw w/Spring